
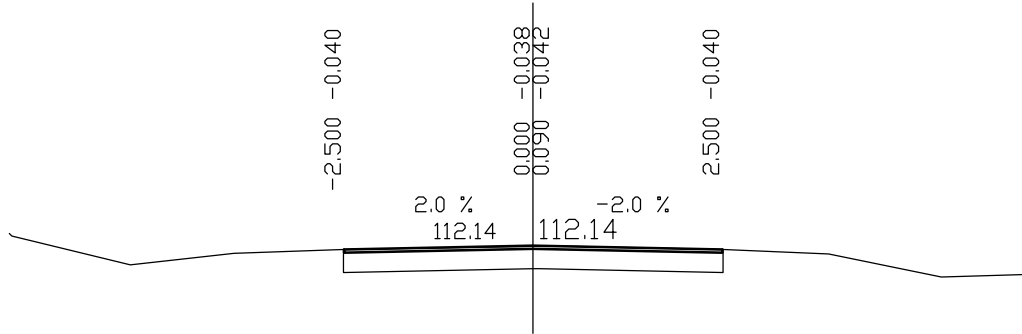


PRZEKROJE POPRZECZNE WYRÓWNANIE BA

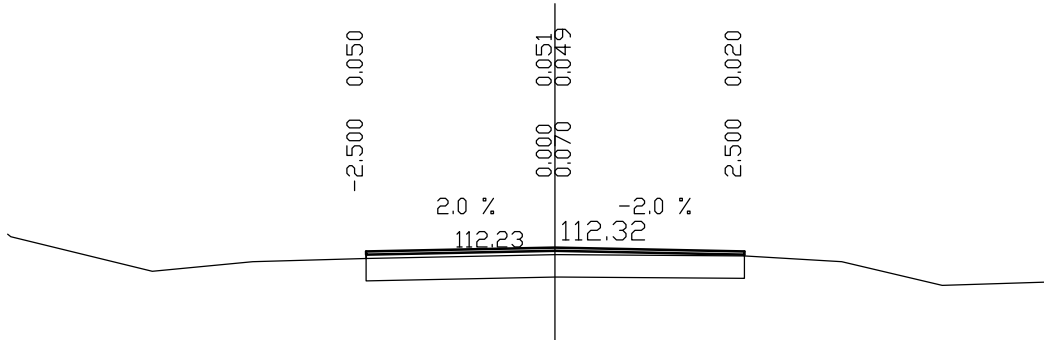
ARKUSZE OD 1 DO 23

 <i>wilech</i>		<i>L. KLICKI, W. RUSZCZYŃSKI</i>	
<i>Tytuł opracowania:</i> PROJEKT BUDOWLANY PRZEBUDOWY DP KACICE POKRZYWNICA KLUSEK ODC. TRZEPOWO KLUSEK			
<i>Tytuł rysunku:</i> PRZEKROJE POPRZECZNE WYRÓWNANIE BA		<i>Rys. nr:</i> 5	<i>Skala:</i> 1:100
<i>Opracował:</i> mgr inż. W. Ruszczyński	<i>Pracownia:</i> Drogowa	<i>Data:</i> 8 -2005	
<i>Kierownik projektu:</i> mgr inż. L. Klicki 7342/Cie- 19/93	<i>Sprawdzający:</i> / - /	<i>Nr umowy:</i> -	

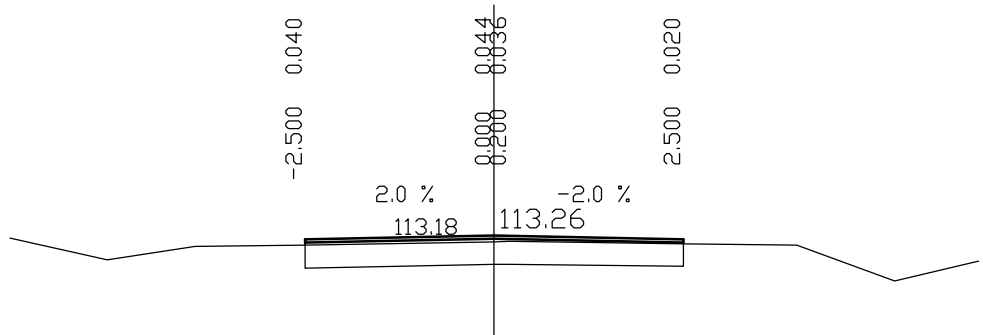
10626.00 PL=0.00 PP=0.00 W=0.0000 F=0.0000



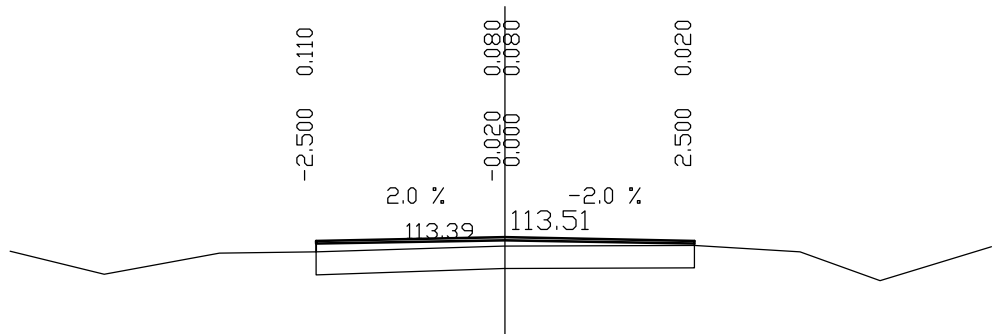
10635.40 PL=0.00 PP=0.00 W=0.2136 F=0.0000



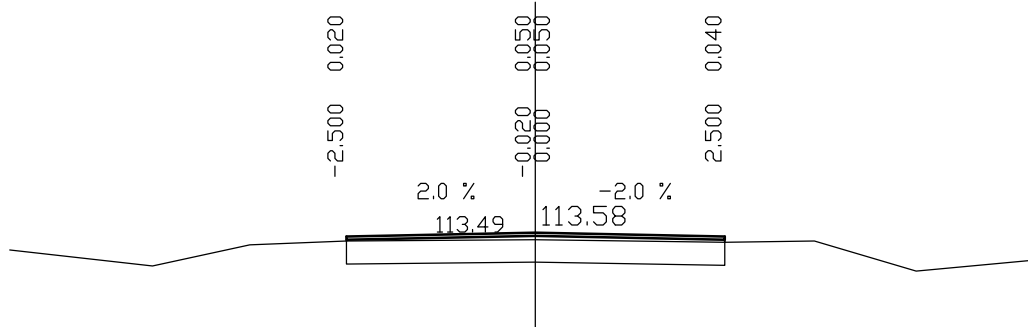
10725.00 PL=0.00 PP=0.00 W=0.1774 F=0.0000



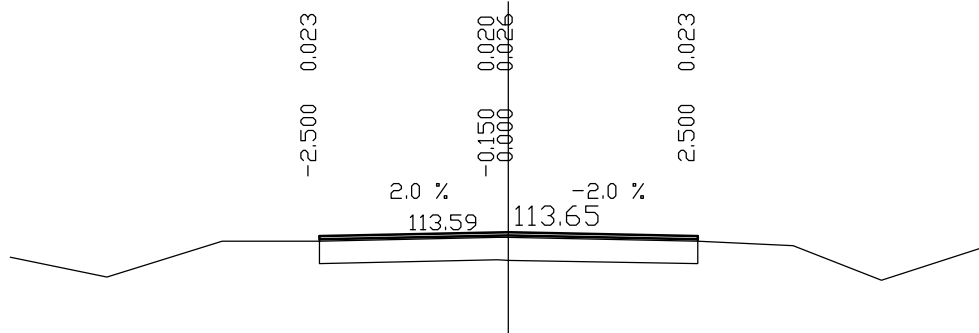
10796.90 PL=0.00 PP=0.00 W=0.3622 F=0.0000



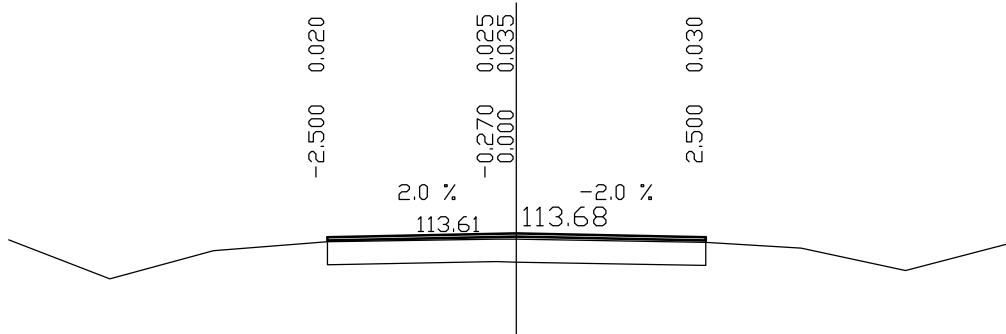
10867.20 PL=0.00 PP=0.00 W=0.2003 F=0.0000



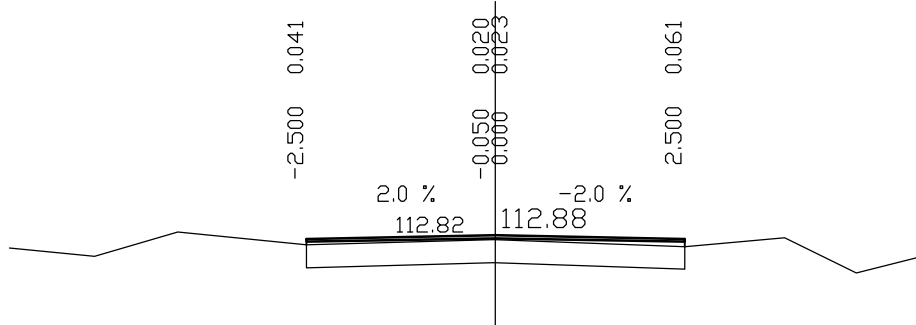
10938.20 PL=0.00 PP=0.00 W=0.1153 F=0.0000



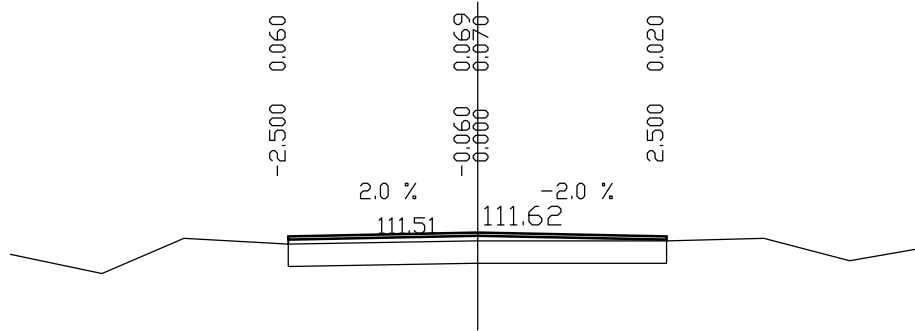
10975.70 PL=0.00 PP=0.00 W=0.1396 F=0.0000



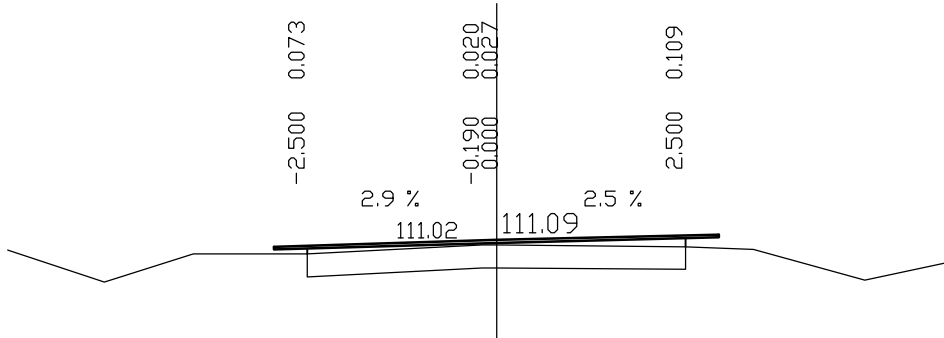
11115.20 PL=0.00 PP=0.00 W=0.1808 F=0.0000



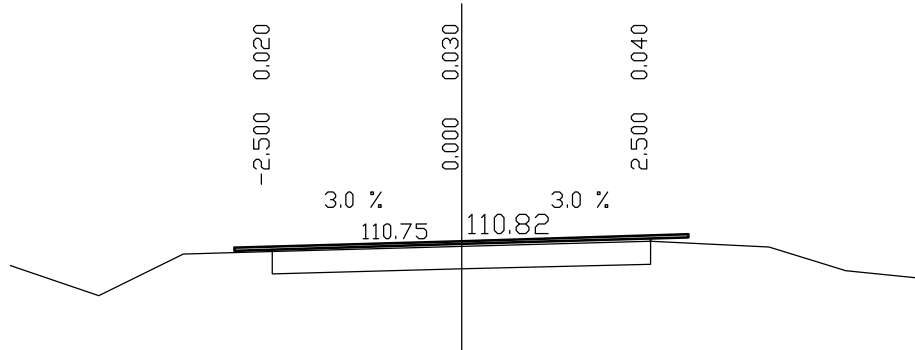
11201.60 PL=0.00 PP=0.00 W=0.2741 F=0.0000



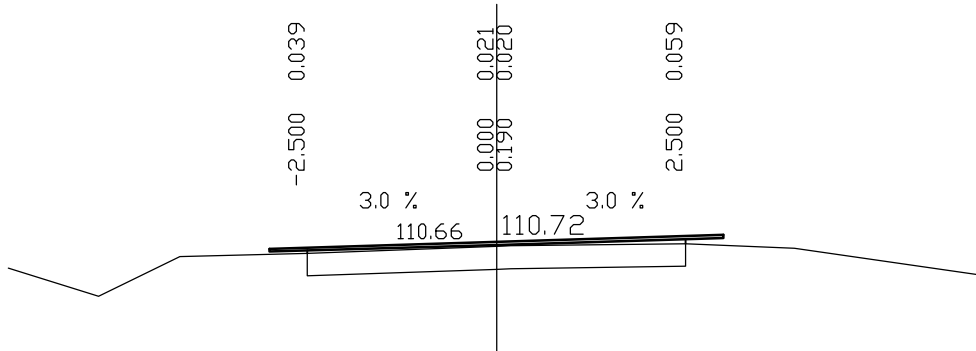
11249.30 PL=0.45 PP=0.45 W=0.2846 F=0.0000



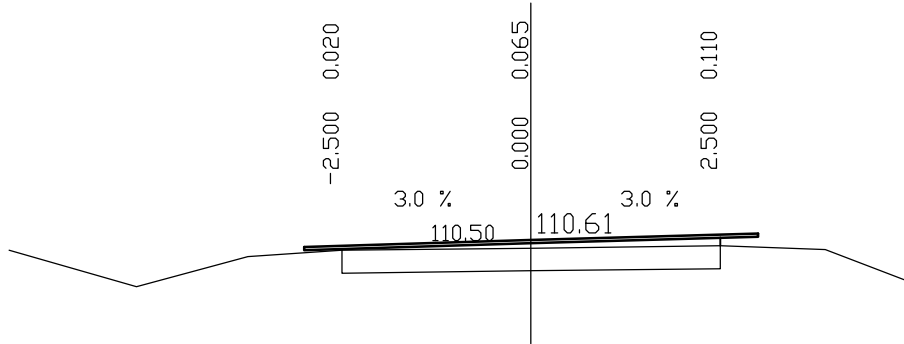
11275.70 PL=0.50 PP=0.50 W=0.1500 F=0.0000



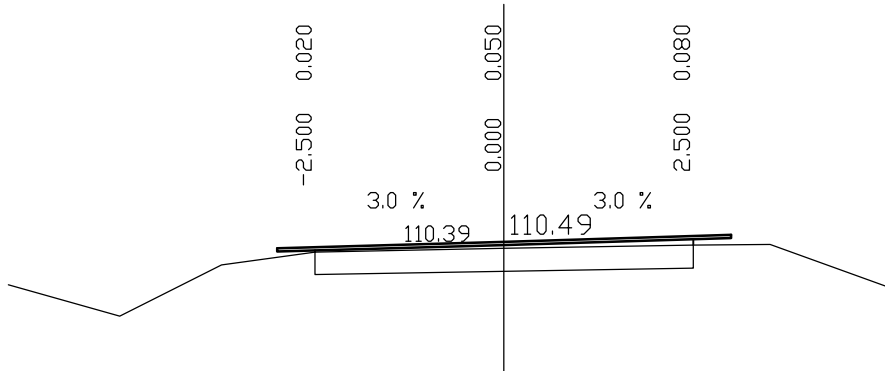
11292.00 PL=0.50 PP=0.50 W=0.1702 F=0.0000



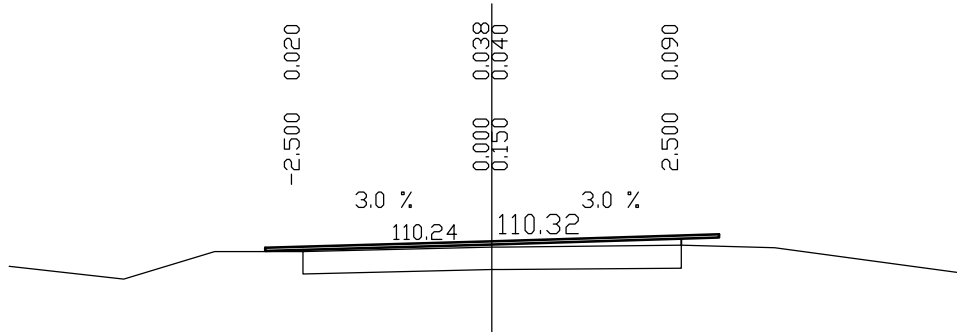
11311.70 PL=0.50 PP=0.50 W=0.3251 F=0.0000



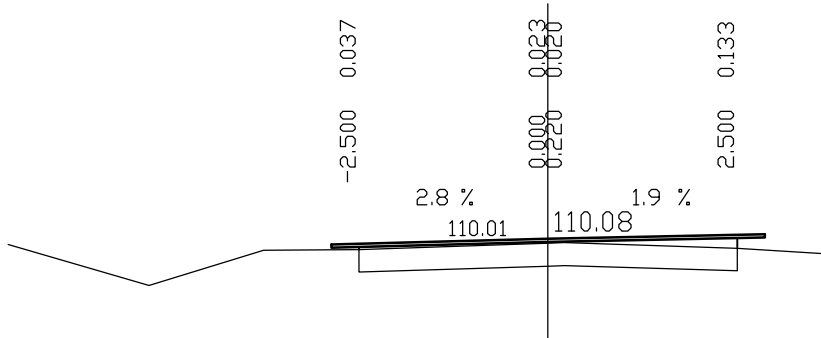
11327.80 PL=0.50 PP=0.50 W=0.2500 F=0.0000



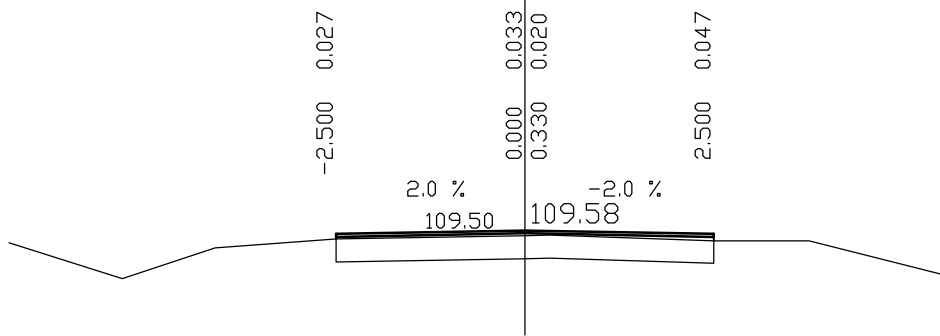
11349.20 PL=0.50 PP=0.50 W=0.2312 F=0.0000



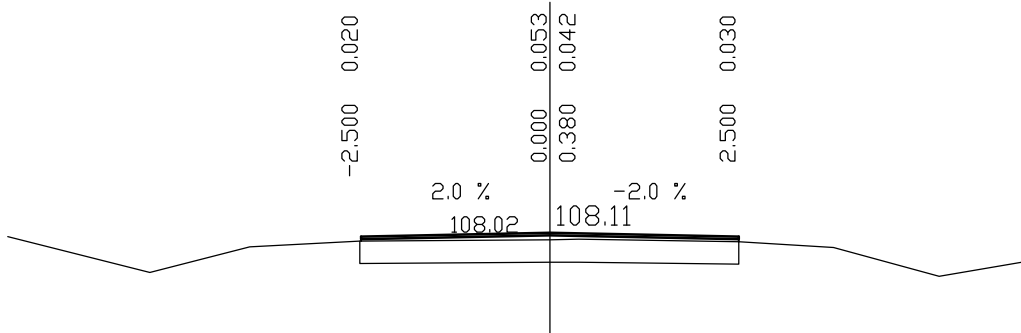
11381.80 PL=0.37 PP=0.37 W=0.2541 F=0.0000



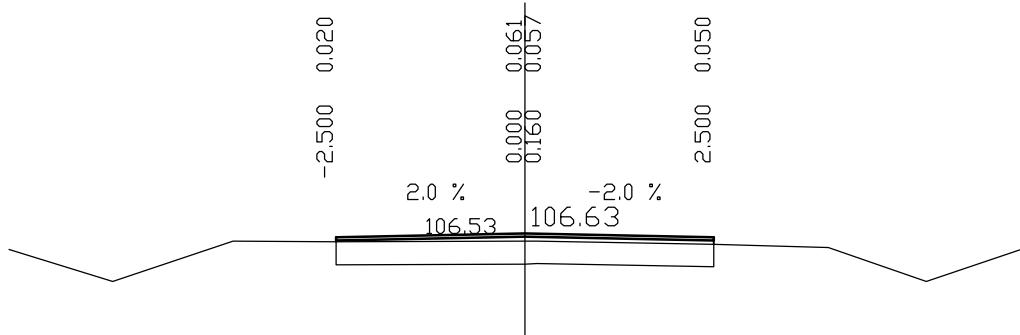
11419.20 PL=0.00 PP=0.00 W=0.1577 F=0.0000



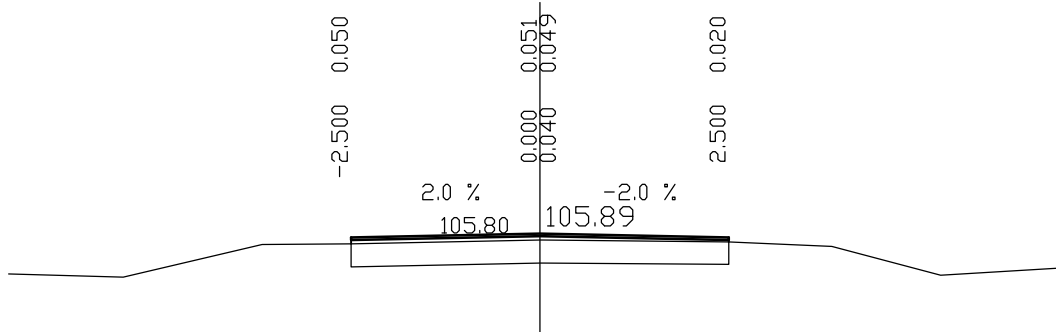
11493.50 PL=0.00 PP=0.00 W=0.1869 F=0.0000



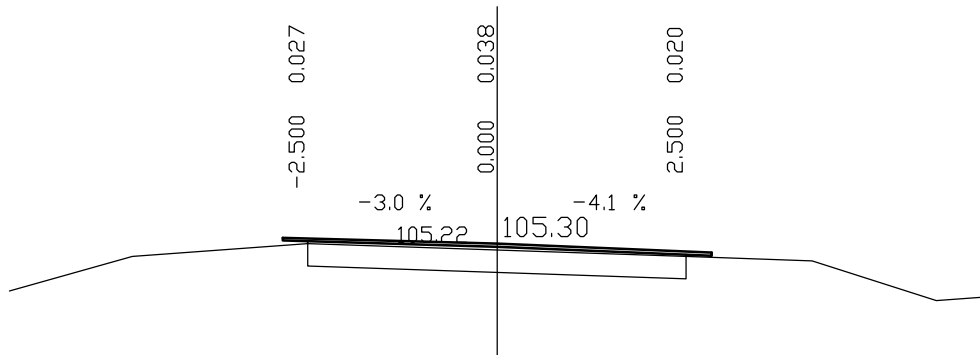
11564.10 PL=0.00 PP=0.00 W=0.2359 F=0.0000



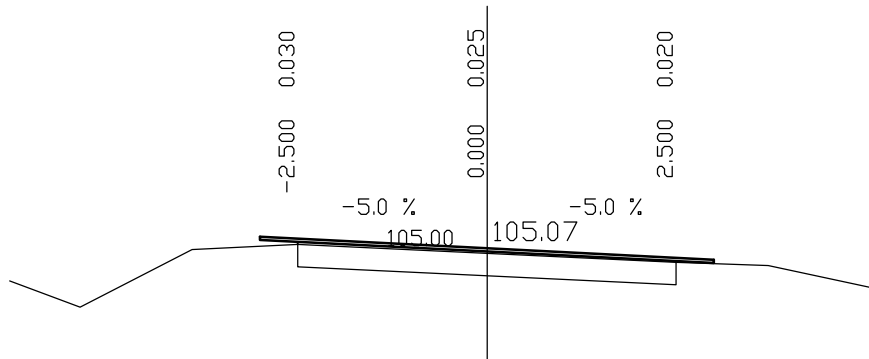
11600.00 PL=0.00 PP=0.00 W=0.2132 F=0.0000



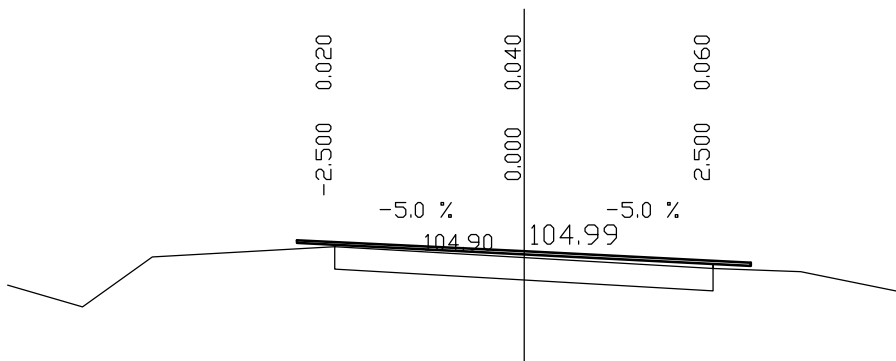
11632.30 PL=0.34 PP=0.34 W=0.1538 F=0.0000



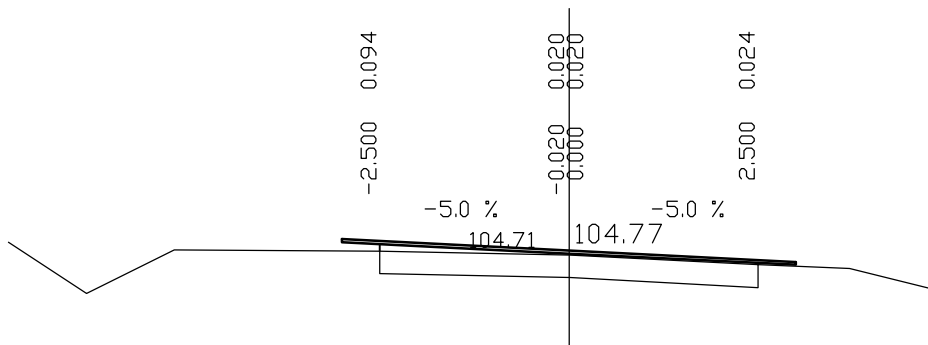
11649.80 PL=0.50 PP=0.50 W=0.1251 F=0.0000



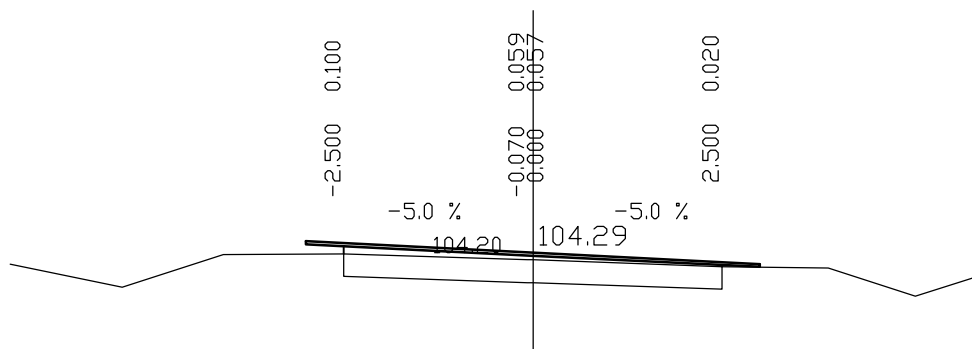
11659.70 PL=0.50 PP=0.50 W=0.2000 F=0.0000



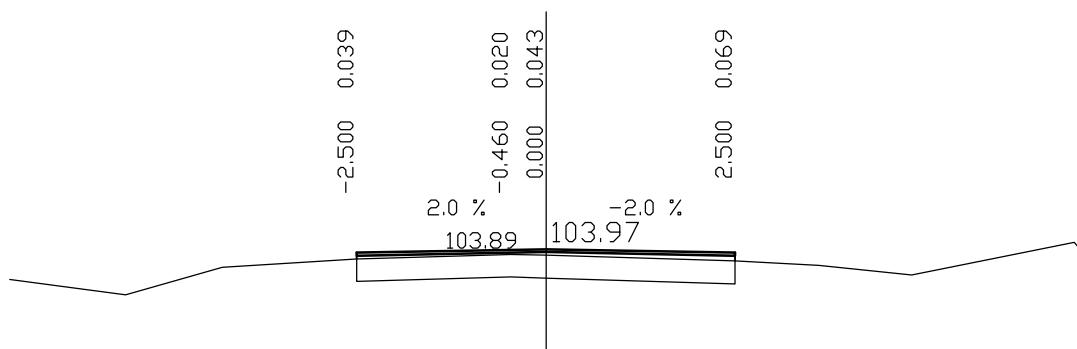
11681.20 PL=0.50 PP=0.50 W=0.1968 F=0.0000



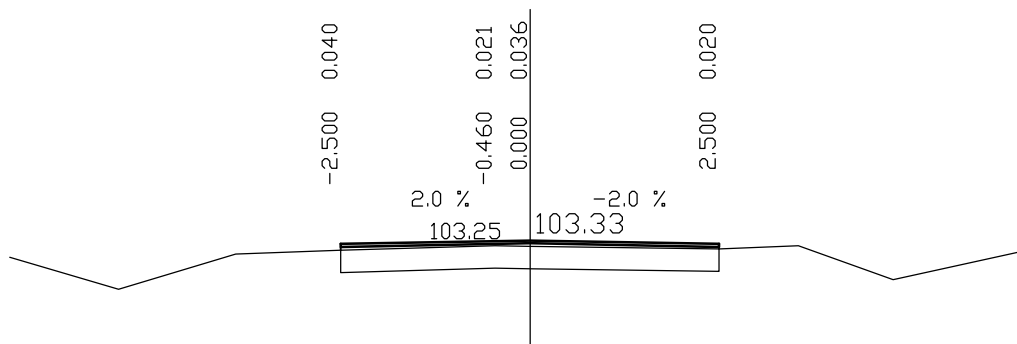
11724.70 PL=0.50 PP=0.50 W=0.2948 F=0.0000



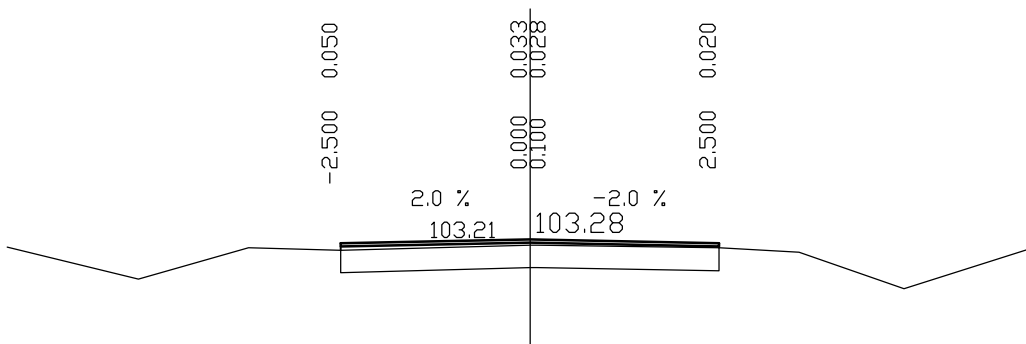
11763.80 PL=0.00 PP=0.00 W=0.2147 F=0.0000



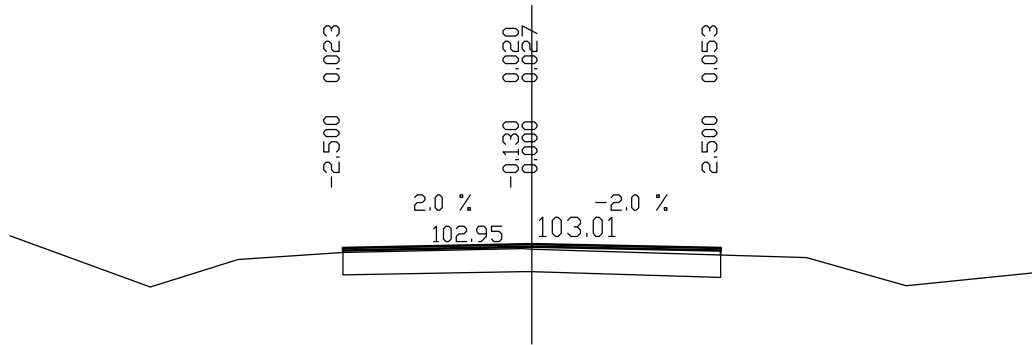
11814.90 PL=0.00 PP=0.00 W=0.1453 F=0.0000



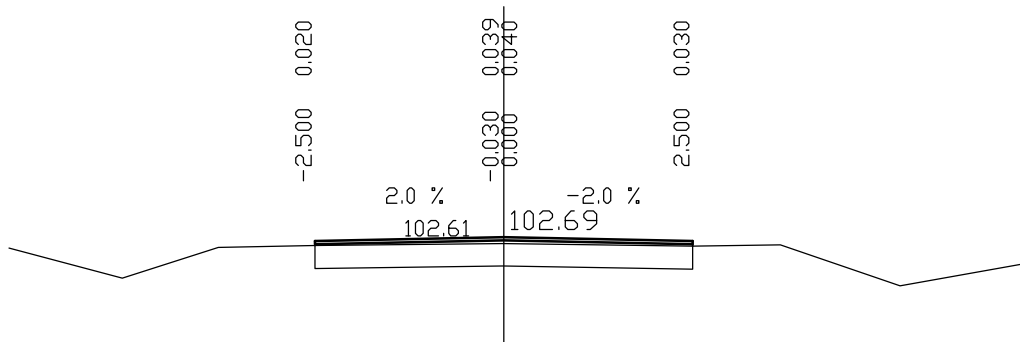
11823.70 PL=0.00 PP=0.00 W=0.1645 F=0.0000



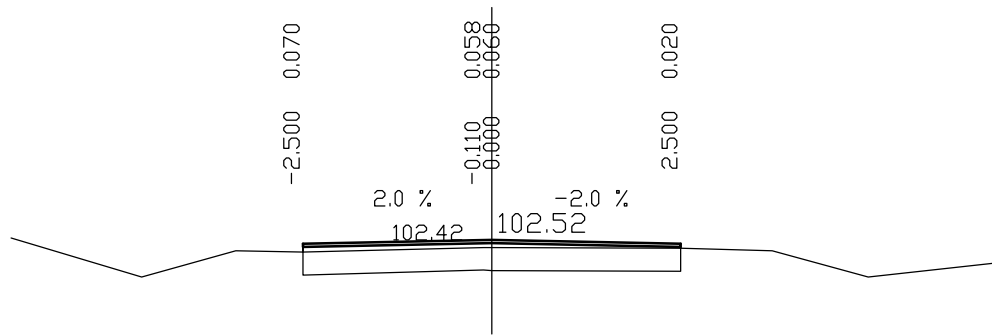
11880.80 PL=0.00 PP=0.00 W=0.1553 F=0.0000



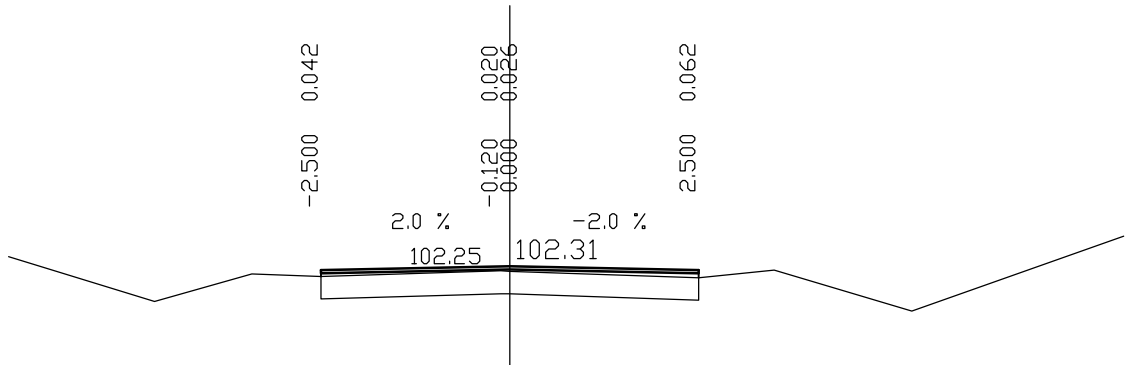
11951.00 PL=0.00 PP=0.00 W=0.1629 F=0.0000



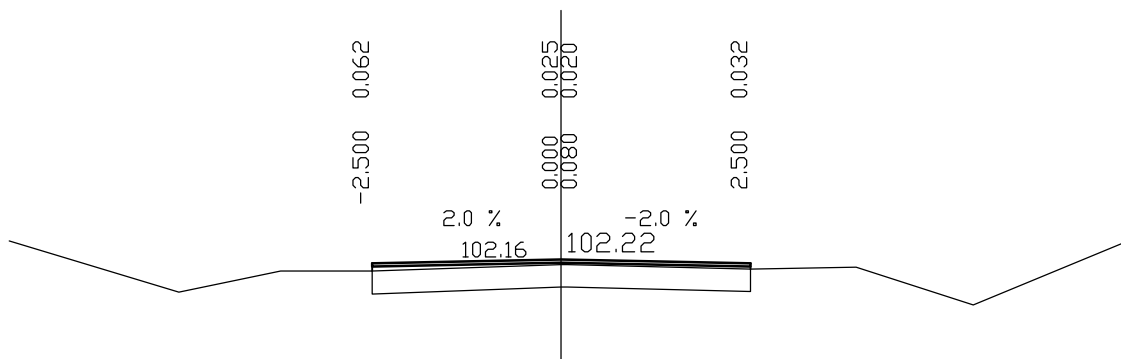
12010.60 PL=0.00 PP=0.00 W=0.2609 F=0.0000



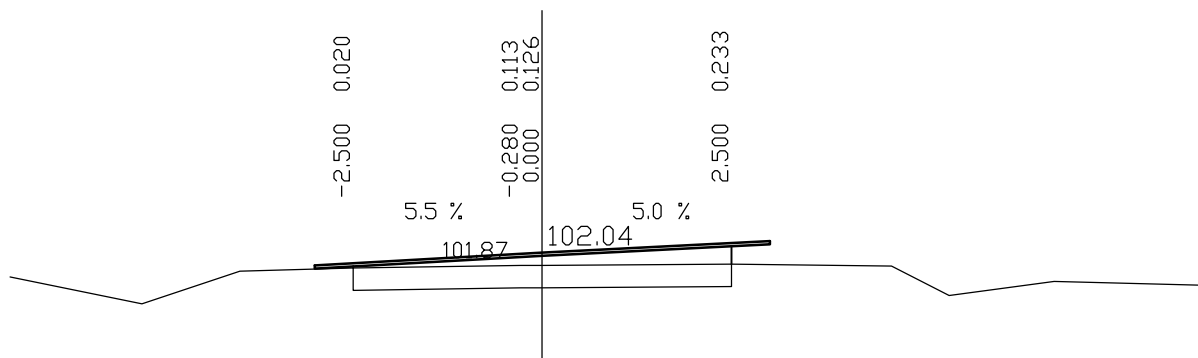
12053.40 PL=0.00 PP=0.00 W=0.1866 F=0.0000



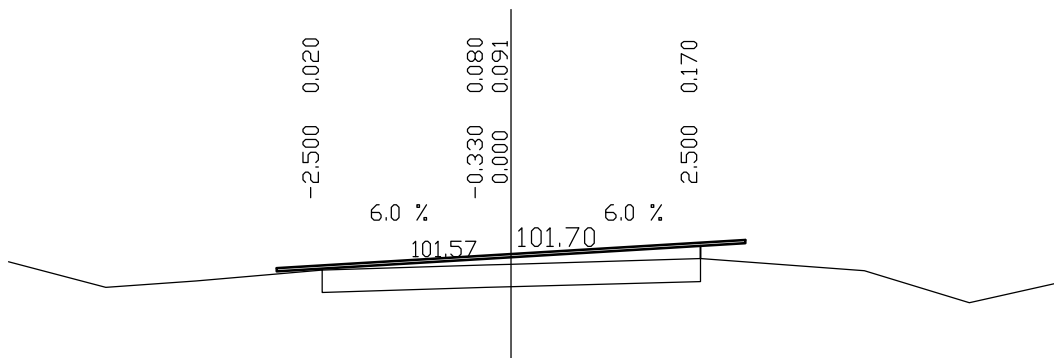
12073.80 PL=0.00 PP=0.00 W=0.1735 F=0.0000



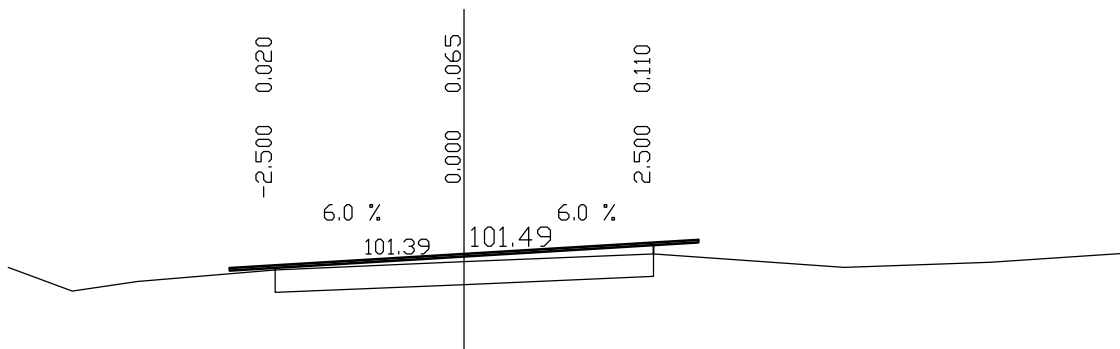
12104.50 PL=0.51 PP=0.51 W=0.6311 F=0.0000



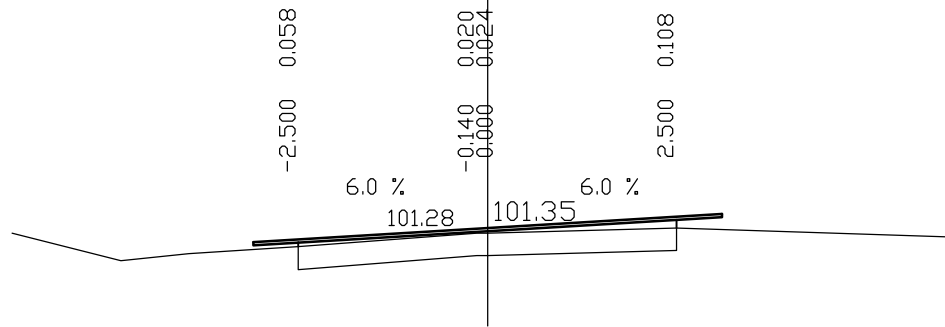
12135.00 PL=0.60 PP=0.60 W=0.4630 F=0.0000



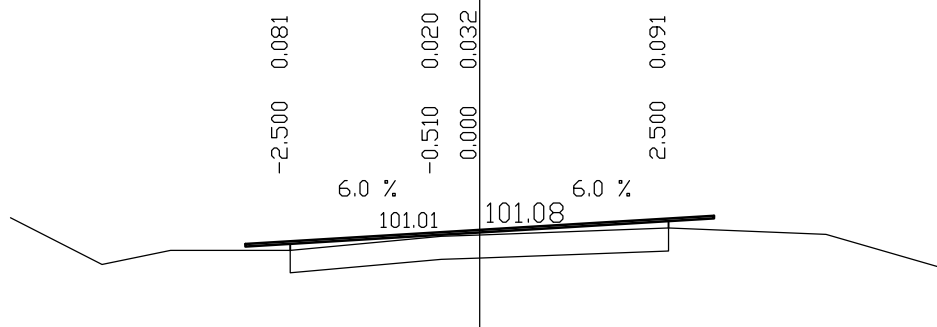
12154.20 PL=0.60 PP=0.60 W=0.3251 F=0.0000



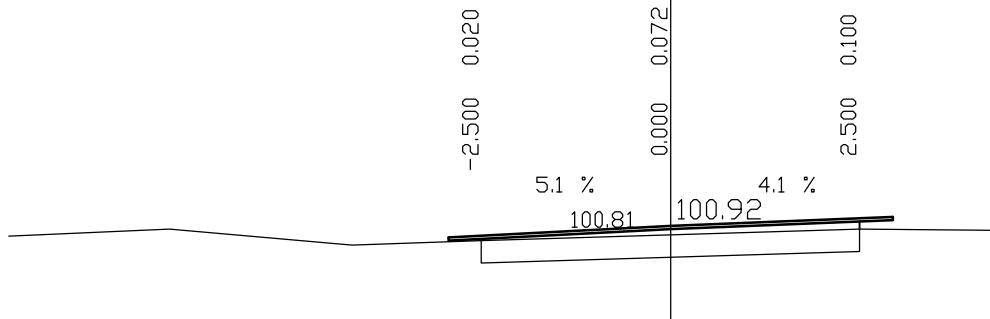
12164.30 PL=0.60 PP=0.60 W=0.2601 F=0.0000



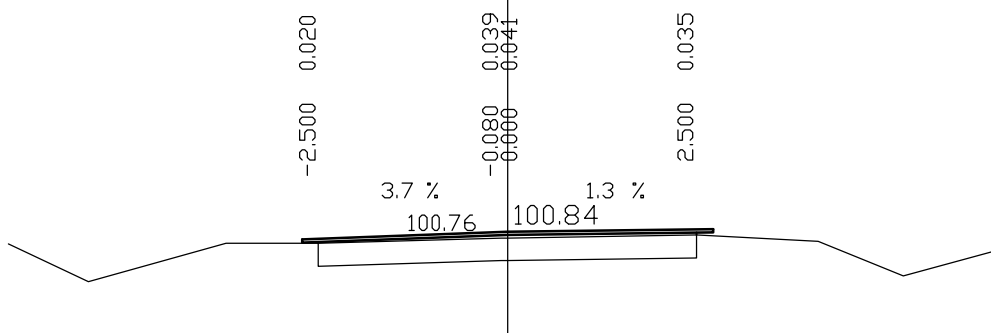
12194.80 PL=0.60 PP=0.60 W=0.2688 F=0.0000



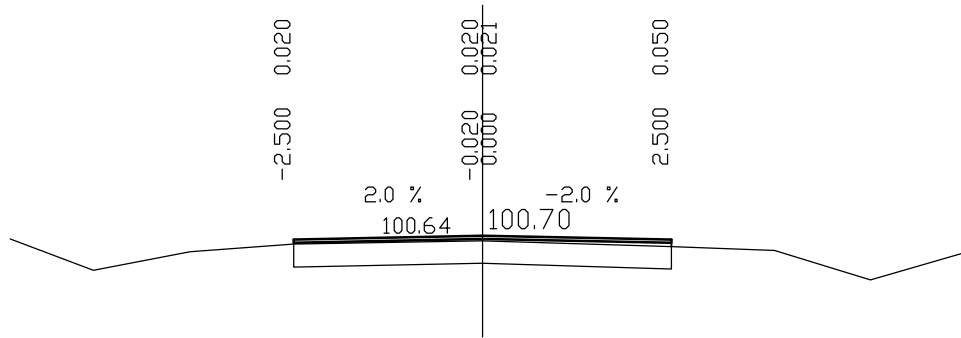
12215.20 PL=0.44 PP=0.44 W=0.3300 F=0.0000



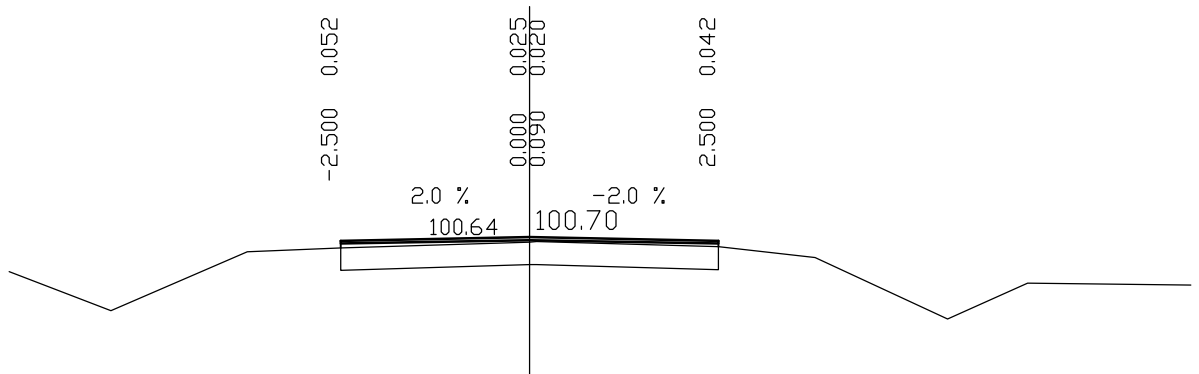
12226.00 PL=0.22 PP=0.22 W=0.1696 F=0.0000



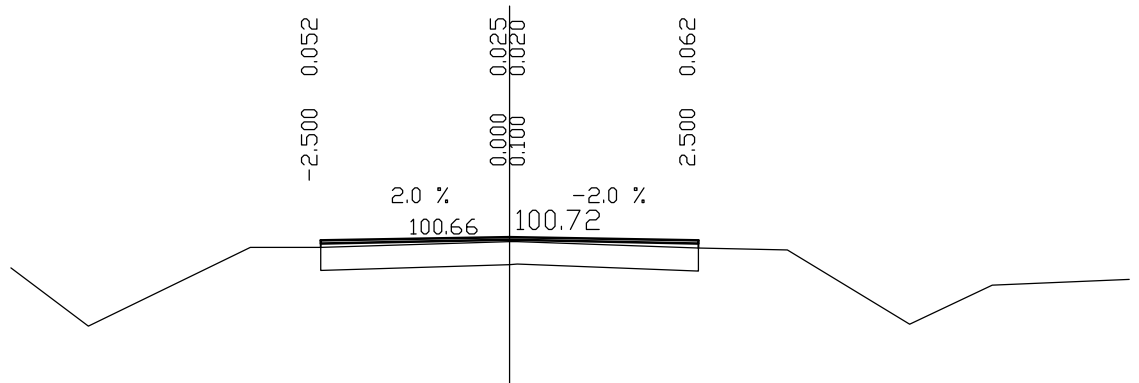
12255.10 PL=0.00 PP=0.00 W=0.1388 F=0.0000



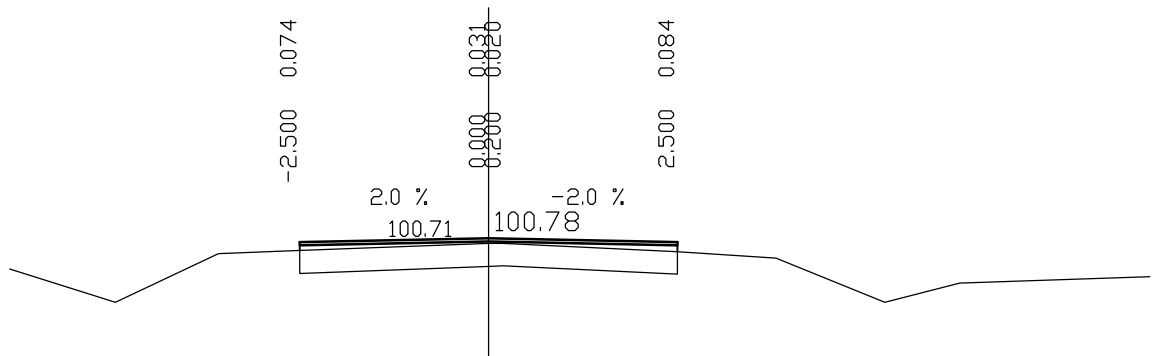
12285.90 PL=0.00 PP=0.00 W=0.1730 F=0.0000



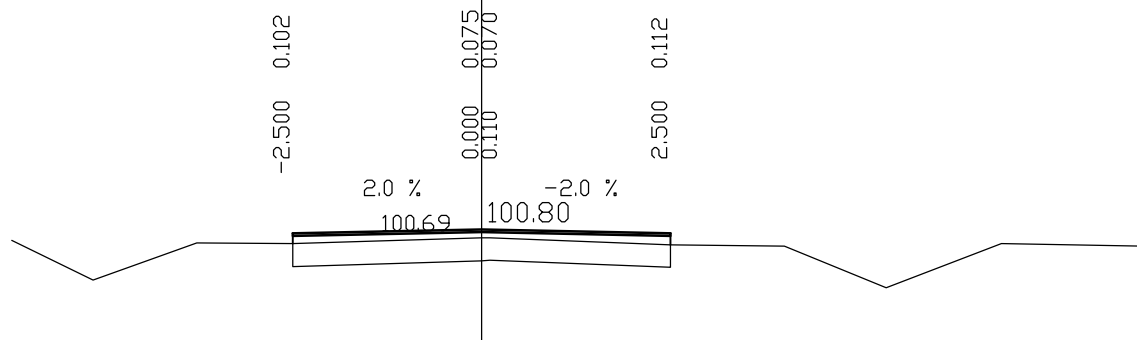
12316.50 PL=0.00 PP=0.00 W=0.1970 F=0.0000



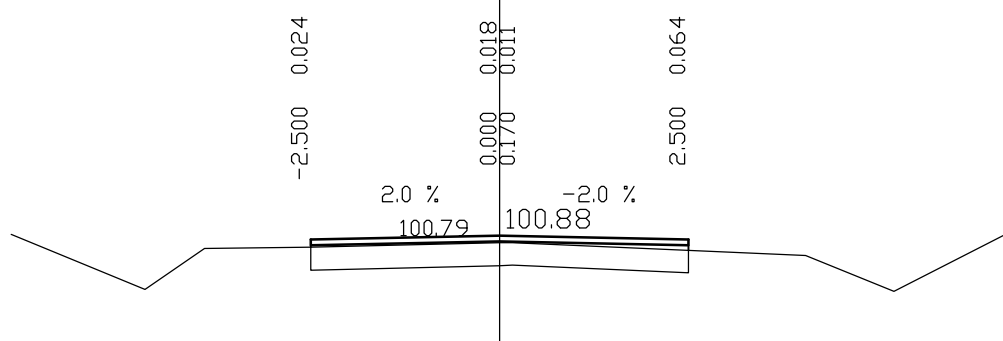
12346.30 PL=0.00 PP=0.00 W=0.2573 F=0.0000



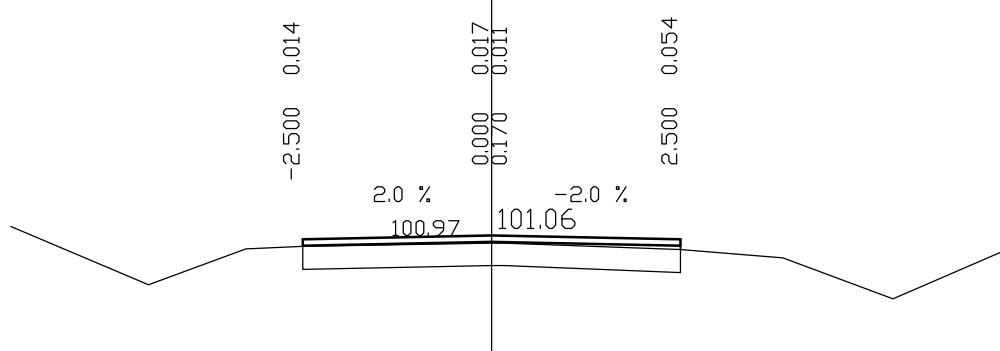
12376.40 PL=0.00 PP=0.00 W=0.4468 F=0.0000



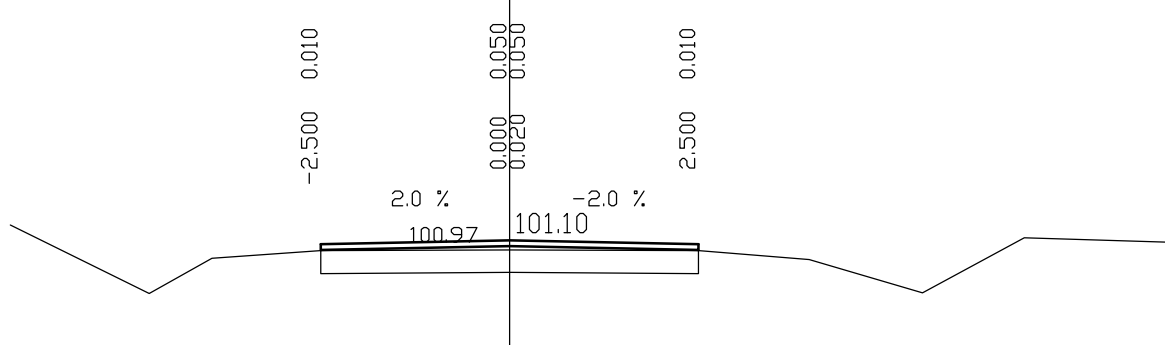
12407.30 PL=0.00 PP=0.00 W=0.1424 F=0.0000



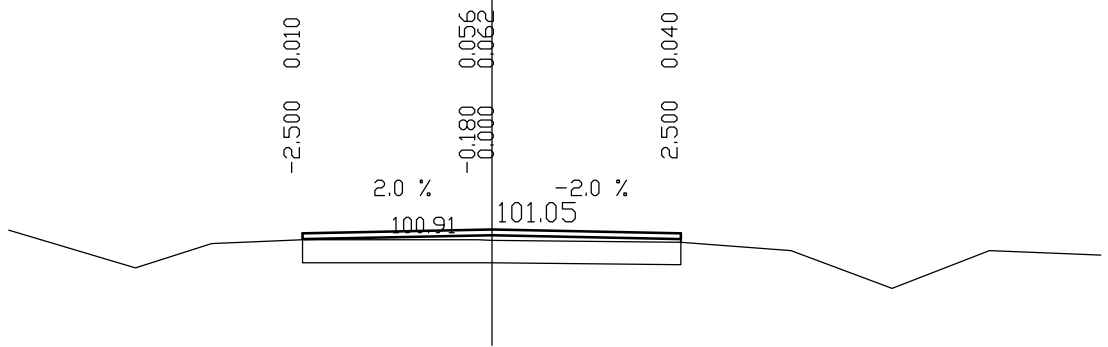
12437.90 PL=0.00 PP=0.00 W=0.1169 F=0.0000



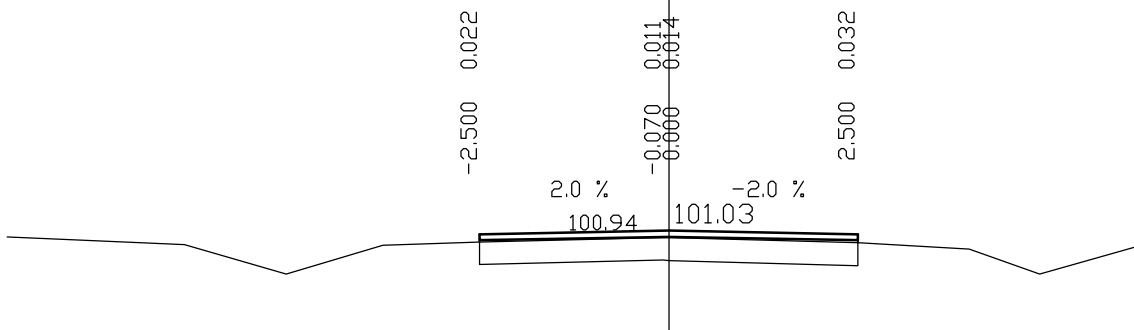
12469.10 PL=0.00 PP=0.00 W=0.1504 F=0.0000



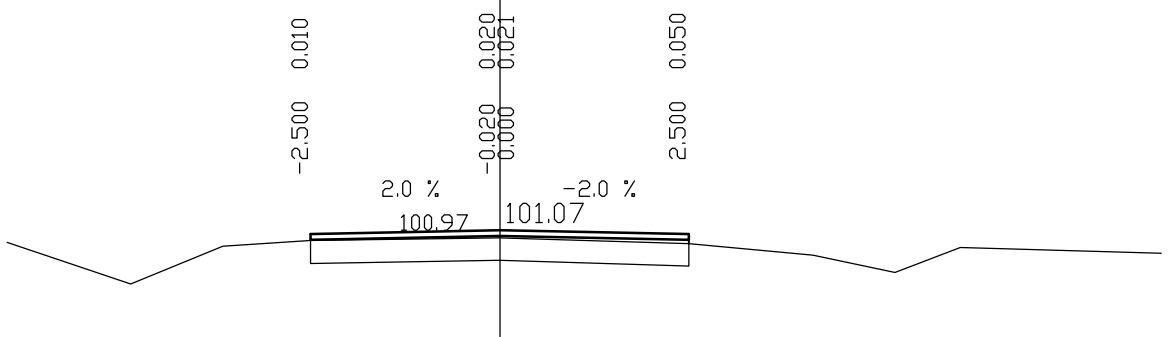
12499.70 PL=0.00 PP=0.00 W=0.2147 F=0.0000



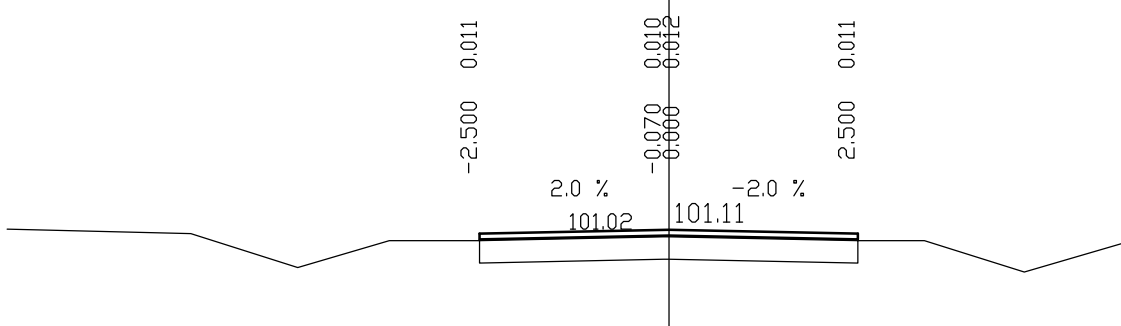
12530.30 PL=0.00 PP=0.00 W=0.0985 F=0.0000



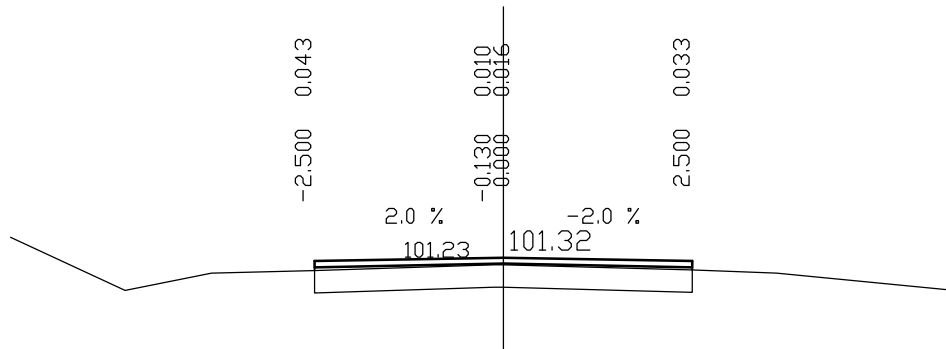
12561.40 PL=0.00 PP=0.00 W=0.1264 F=0.0000



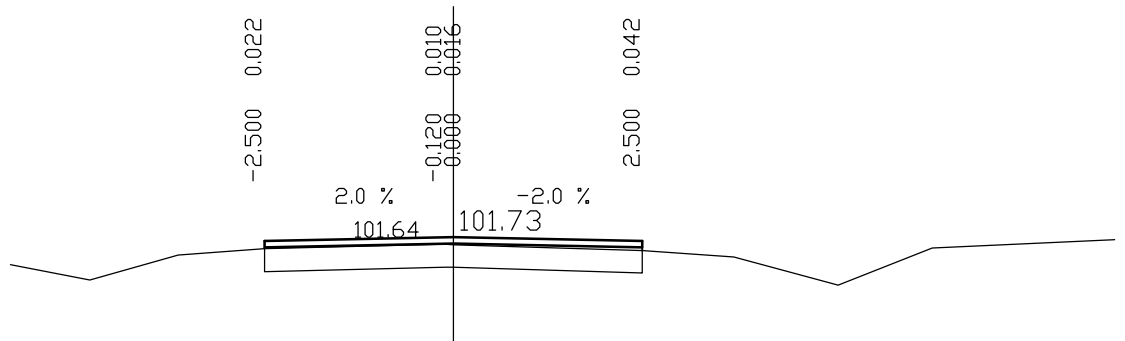
12592.30 PL=0.00 PP=0.00 W=0.0551 F=0.0000



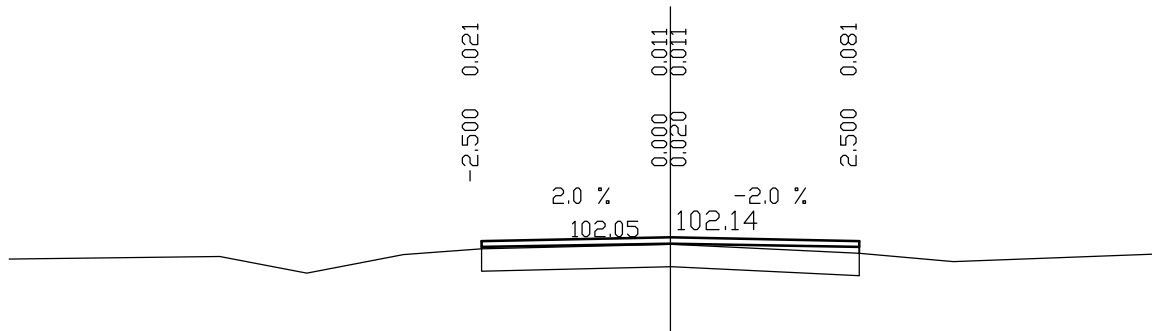
12622.80 PL=0.00 PP=0.00 W=0.1271 F=0.0000



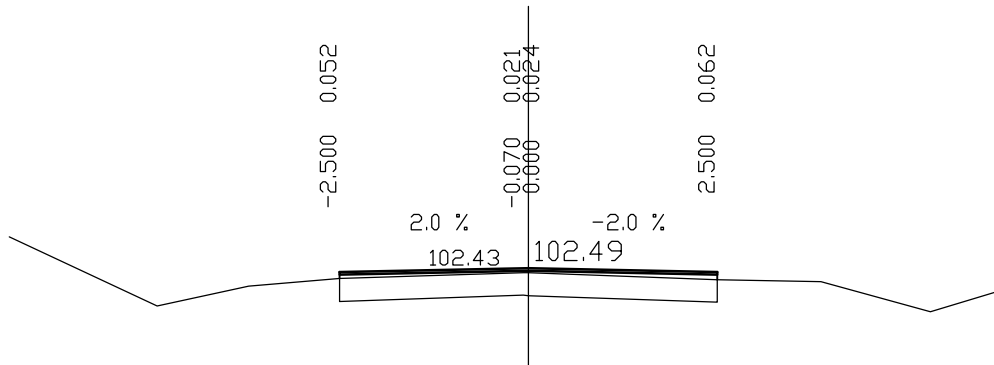
12655.70 PL=0.00 PP=0.00 W=0.1122 F=0.0000



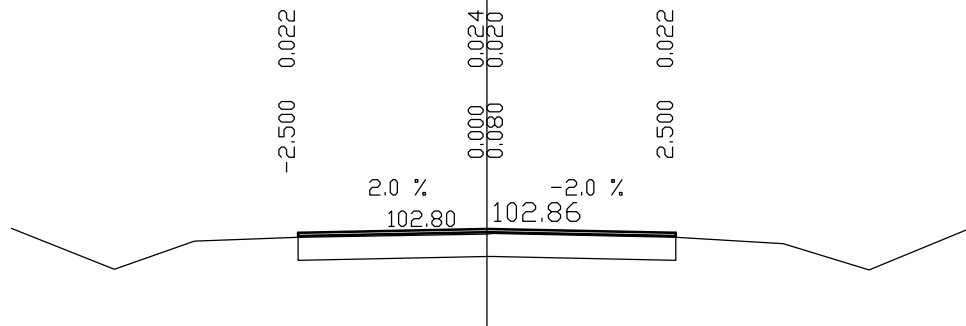
12686.70 PL=0.00 PP=0.00 W=0.1556 F=0.0000



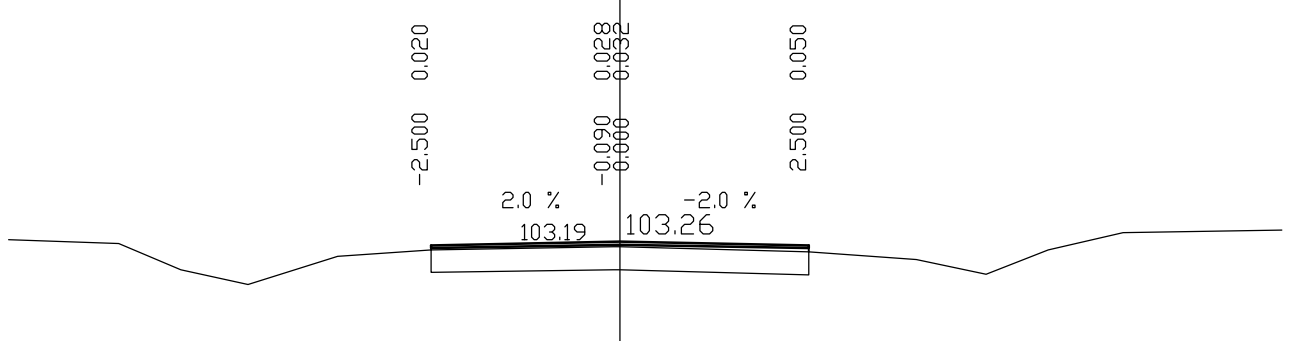
12717.40 PL=0.00 PP=0.00 W=0.1991 F=0.0000



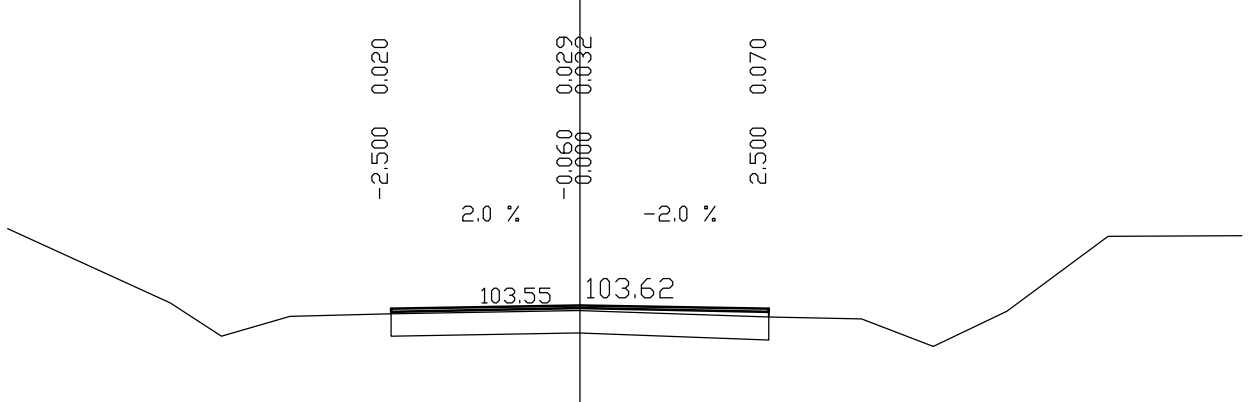
12748.50 PL=0.00 PP=0.00 W=0.1101 F=0.0000



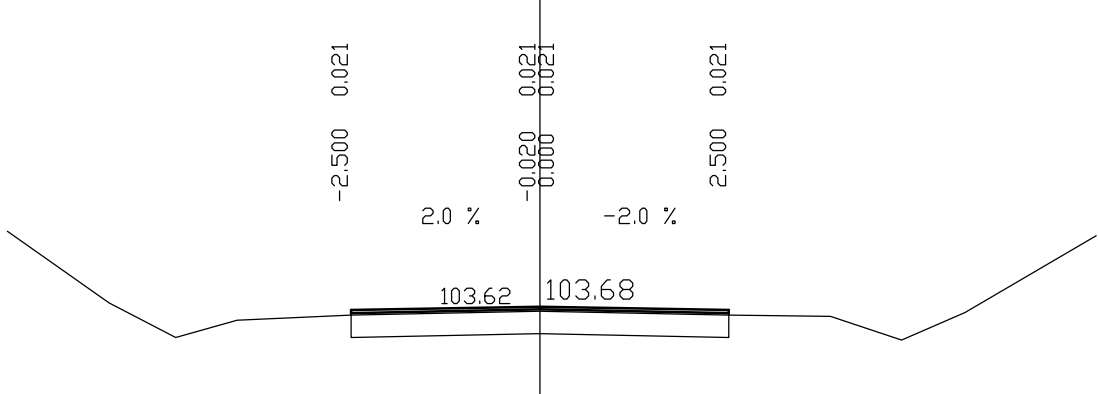
12778.70 PL=0.00 PP=0.00 W=0.1644 F=0.0000



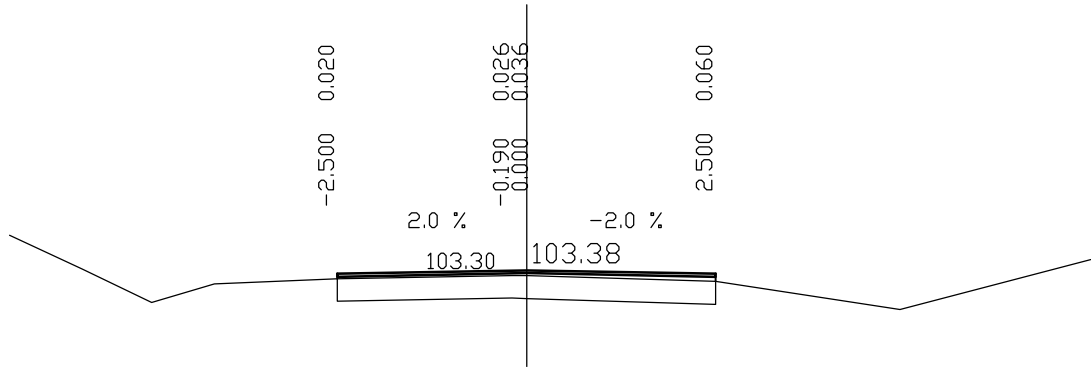
12809.20 PL=0.00 PP=0.00 W=0.1891 F=0.0000



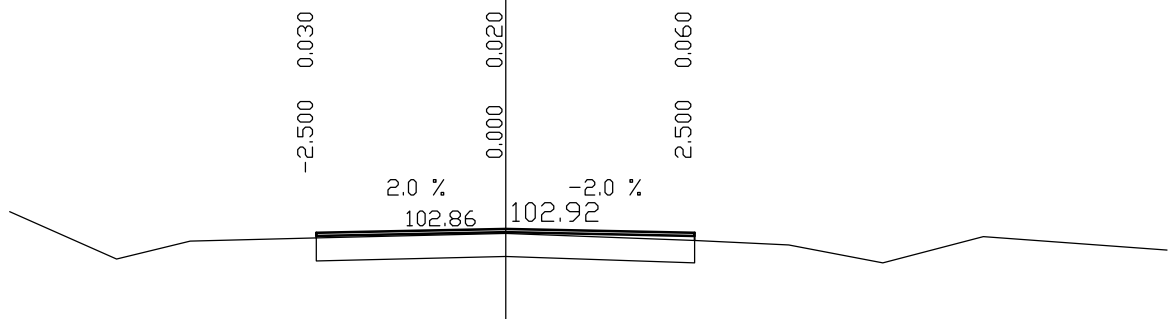
12839.40 PL=0.00 PP=0.00 W=0.1050 F=0.0000



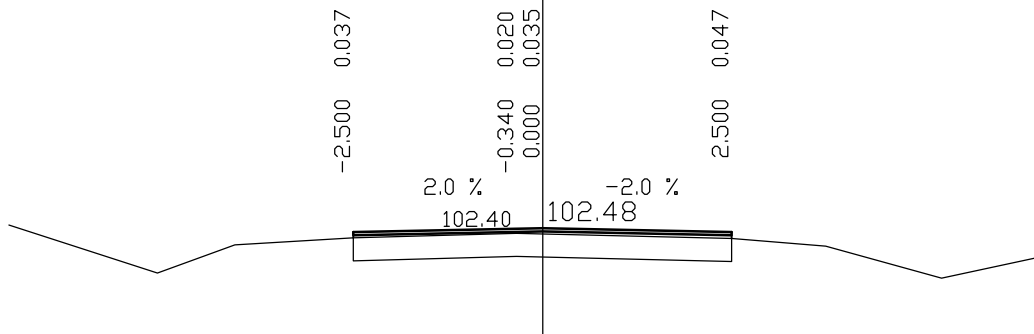
12870.30 PL=0.00 PP=0.00 W=0.1790 F=0.0000



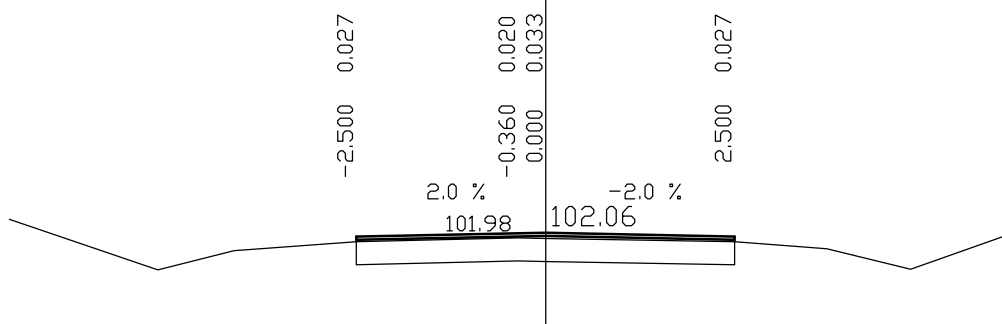
12900.30 PL=0.00 PP=0.00 W=0.1625 F=0.0000



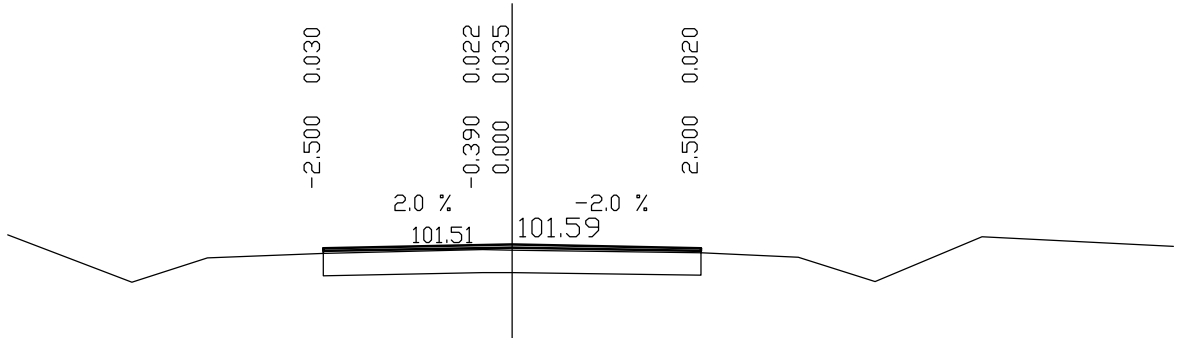
12930.20 PL=0.00 PP=0.00 W=0.1735 F=0.0000



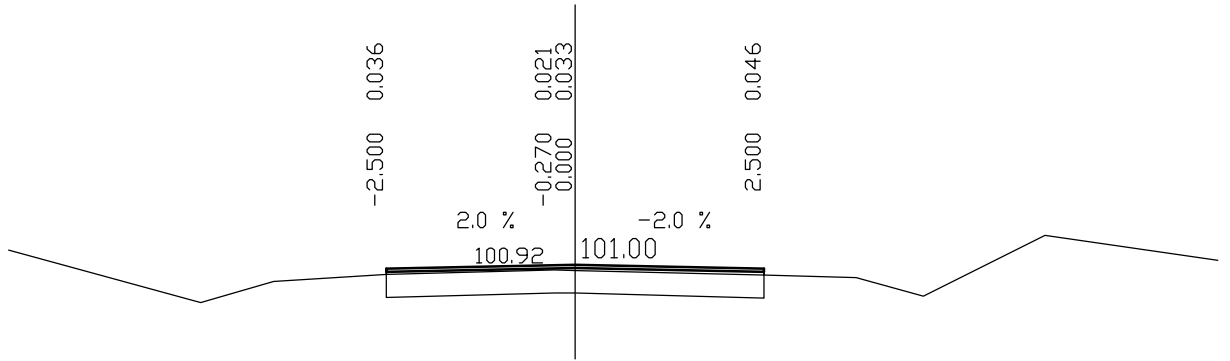
12960.80 PL=0.00 PP=0.00 W=0.1349 F=0.0000



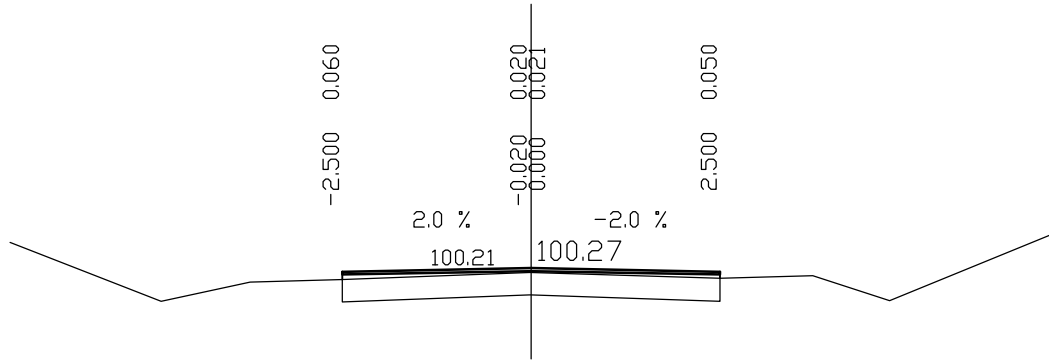
12991.90 PL=0.00 PP=0.00 W=0.1348 F=0.0000



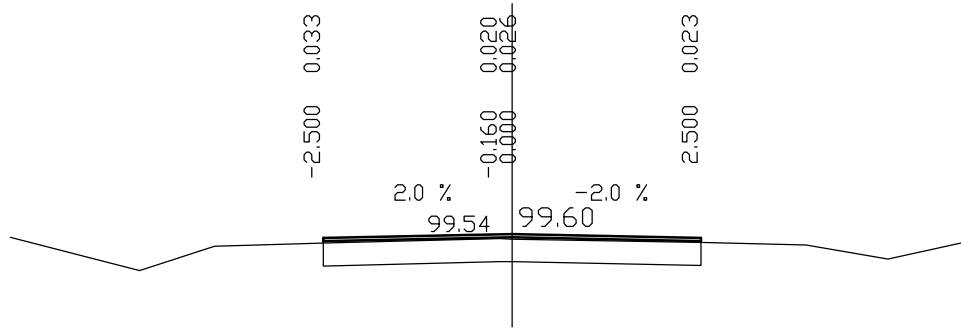
13025.70 PL=0.00 PP=0.00 W=0.1697 F=0.0000



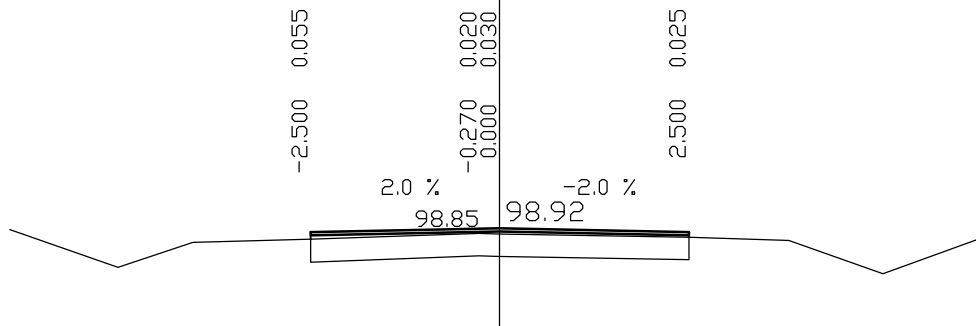
13059.40 PL=0.00 PP=0.00 W=0.1884 F=0.0000



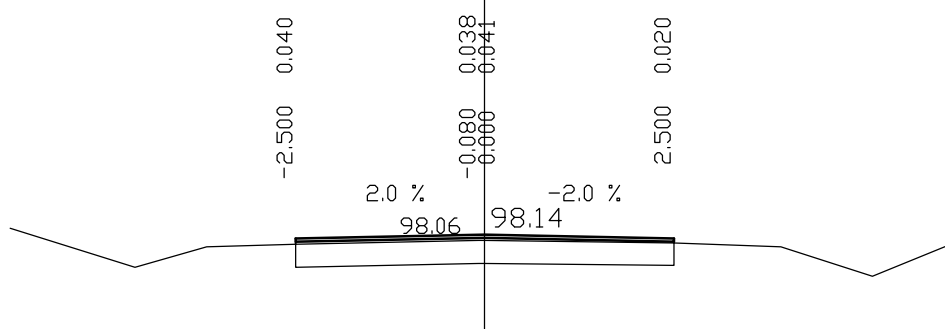
13090.30 PL=0.00 PP=0.00 W=0.1270 F=0.0000



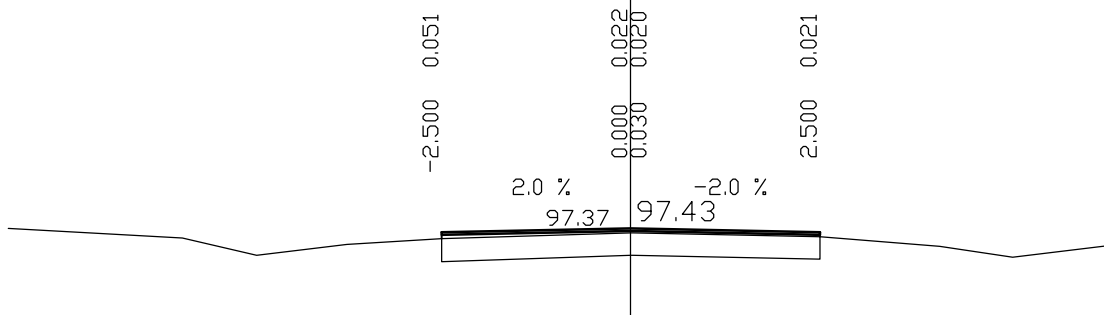
13121.90 PL=0.00 PP=0.00 W=0.1592 F=0.0000



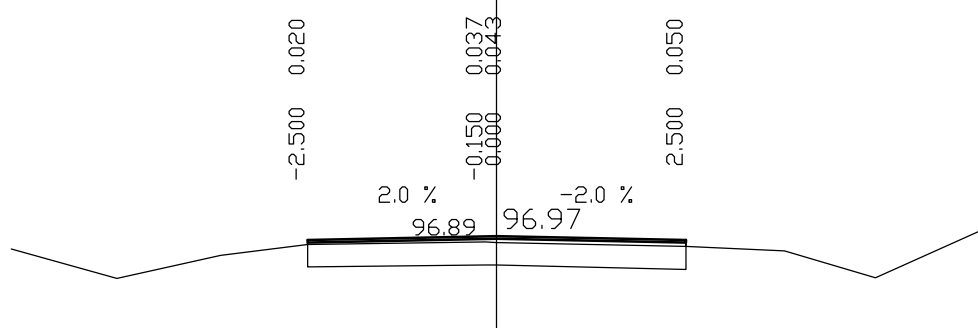
13156.10 PL=0.00 PP=0.00 W=0.1739 F=0.0000



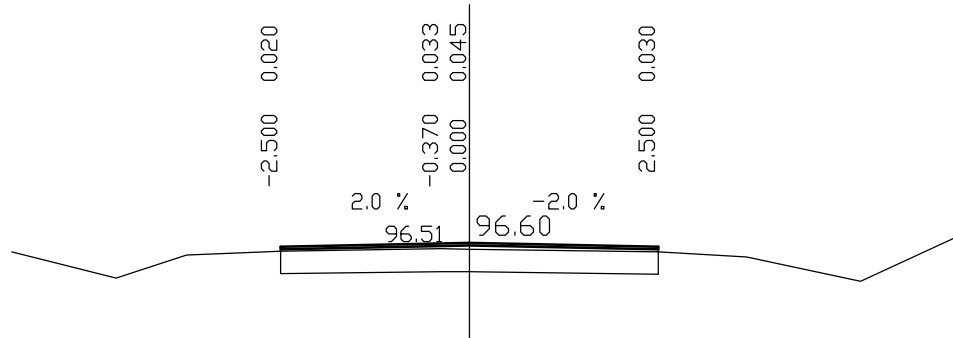
13188.50 PL=0.00 PP=0.00 W=0.1425 F=0.0000



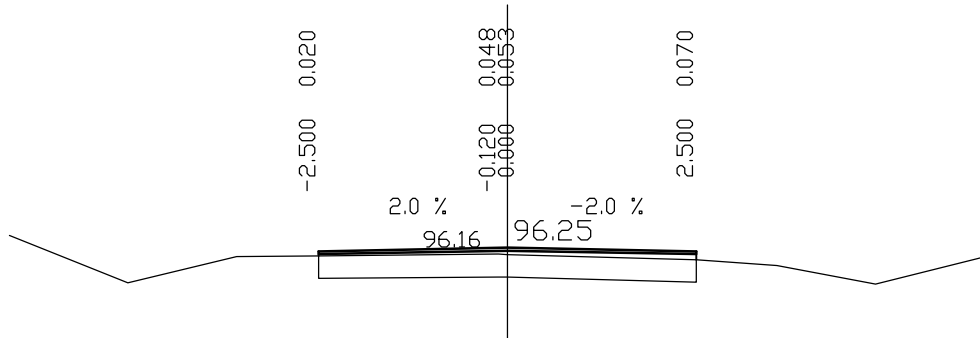
13219.70 PL=0.00 PP=0.00 W=0.1893 F=0.0000



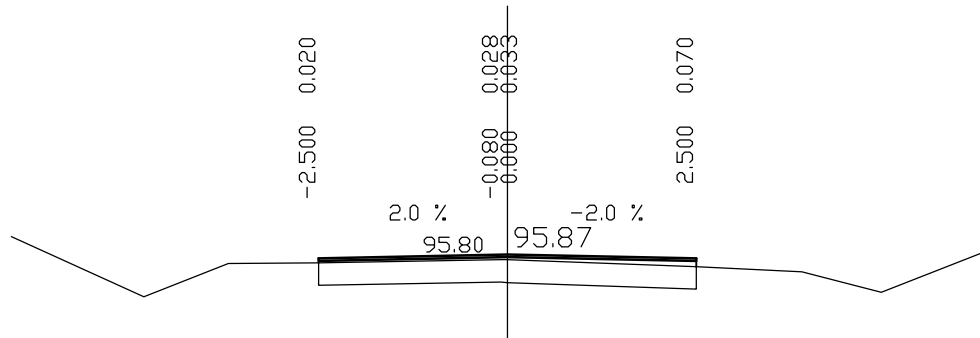
13251.00 PL=0.00 PP=0.00 W=0.1647 F=0.0000



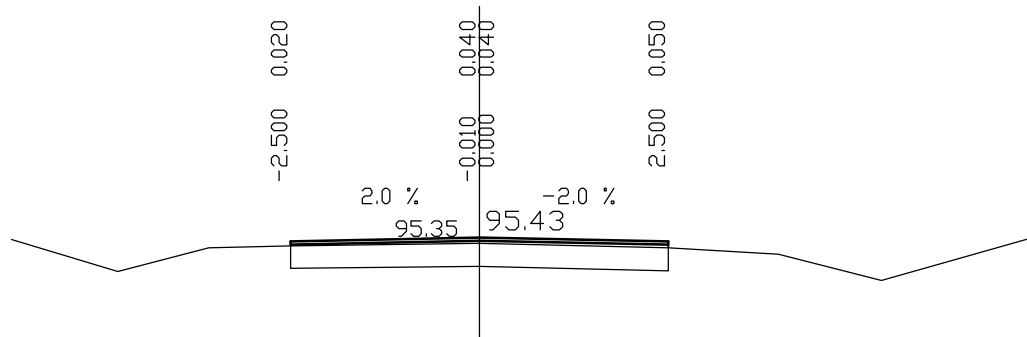
13281.20 PL=0.00 PP=0.00 W=0.2408 F=0.0000



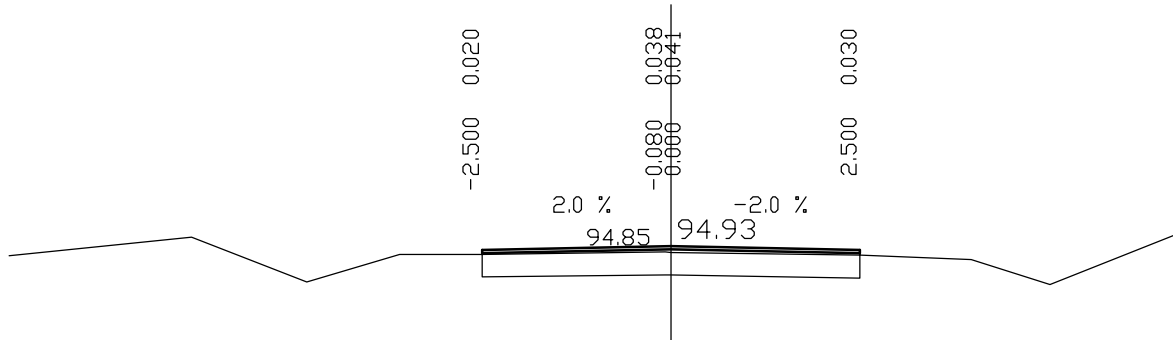
13311.40 PL=0.00 PP=0.00 W=0.1893 F=0.0000



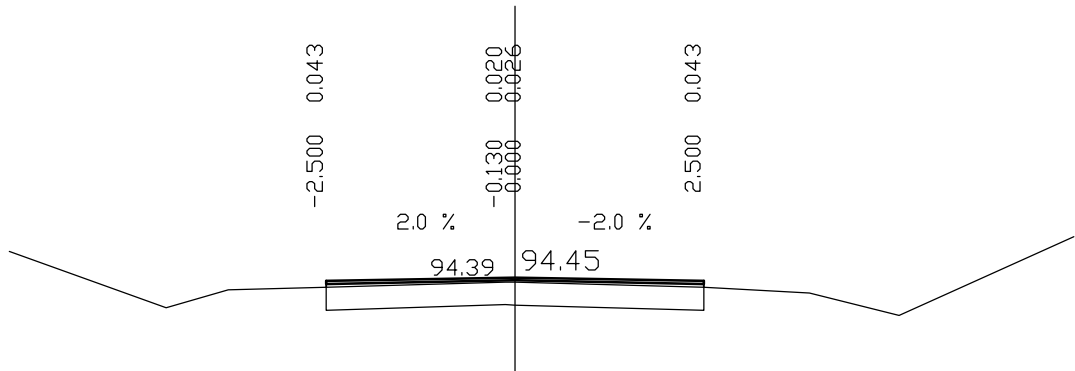
13341.90 PL=0.00 PP=0.00 W=0.1876 F=0.0000



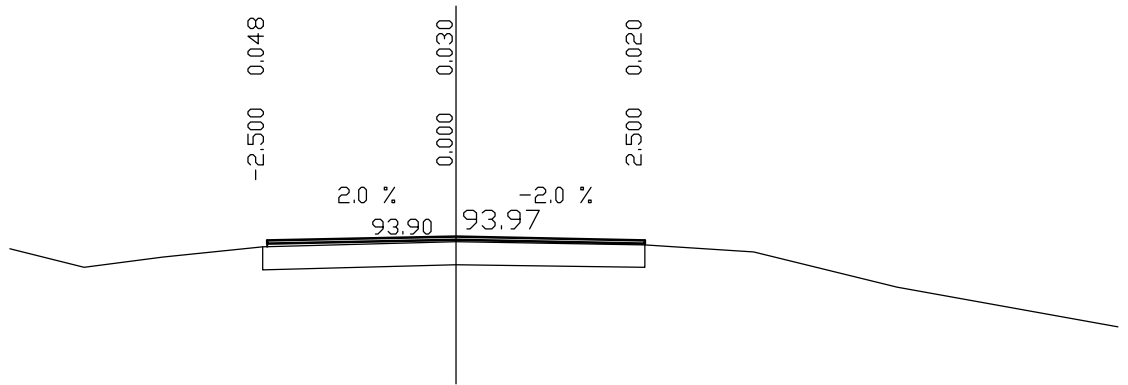
13373.90 PL=0.00 PP=0.00 W=0.1622 F=0.0000



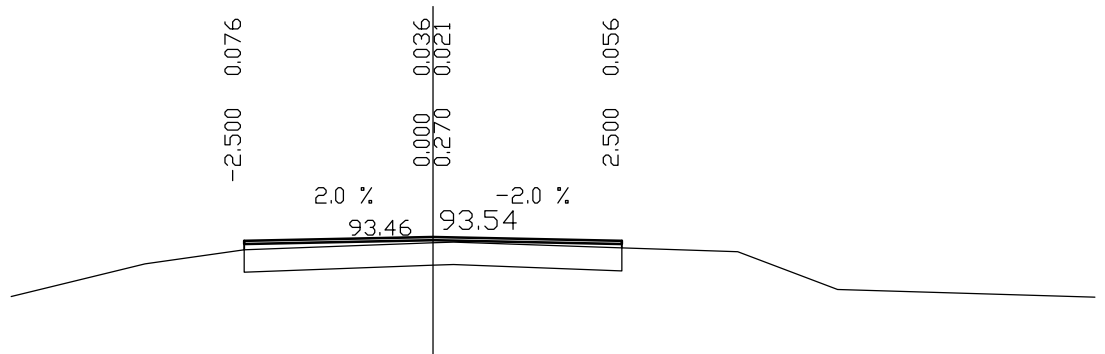
13404.20 PL=0.00 PP=0.00 W=0.1665 F=0.0000



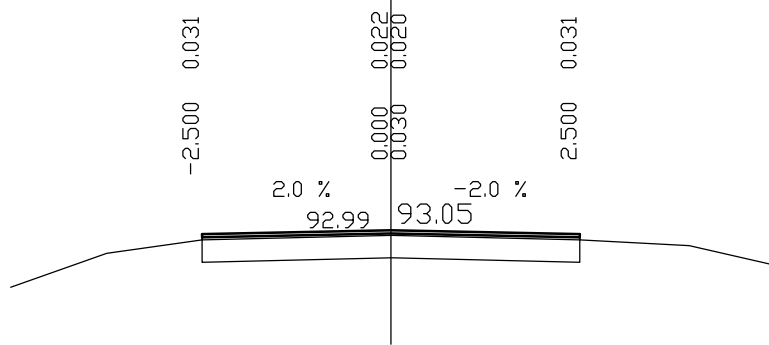
13433.30 PL=0.00 PP=0.00 W=0.1600 F=0.0000



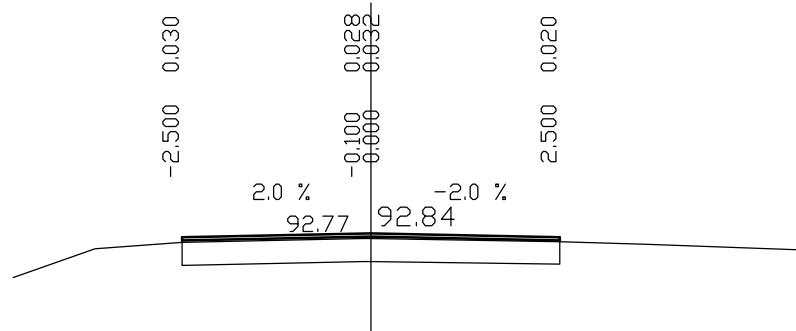
13462.80 PL=0.00 PP=0.00 W=0.2336 F=0.0000



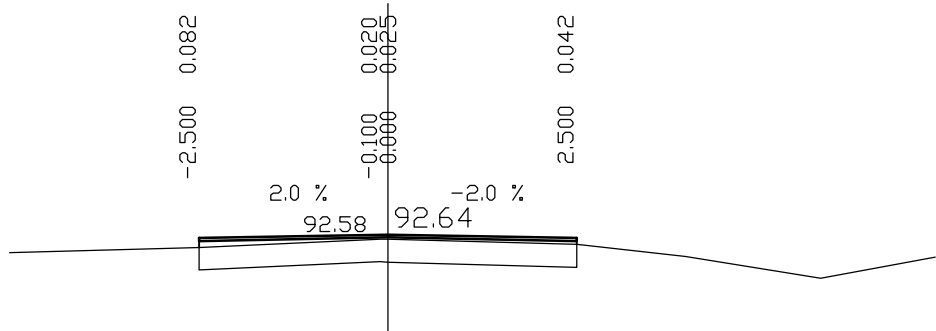
13491.30 PL=0.00 PP=0.00 W=0.1312 F=0.0000



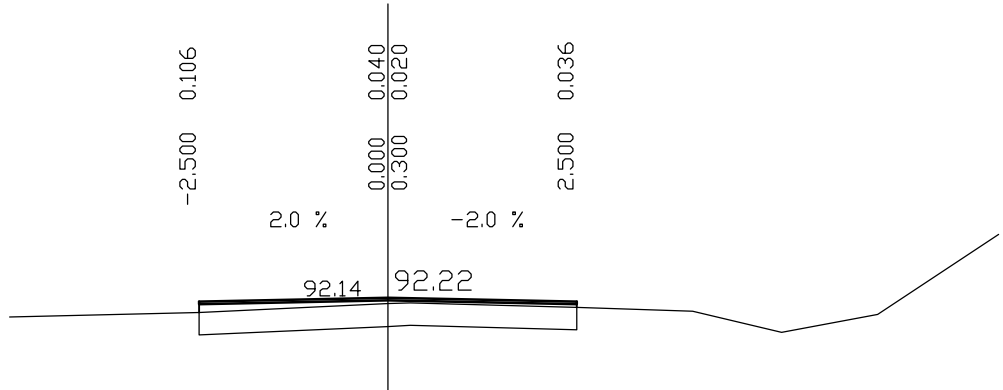
13506.20 PL=0.00 PP=0.00 W=0.1376 F=0.0000



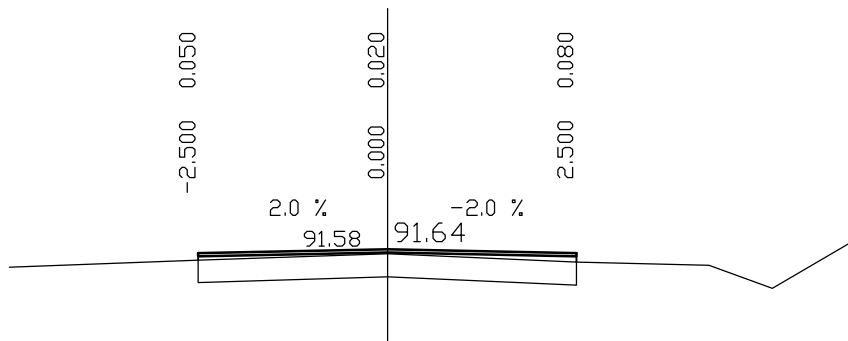
13520.50 PL=0.00 PP=0.00 W=0.2085 F=0.0000



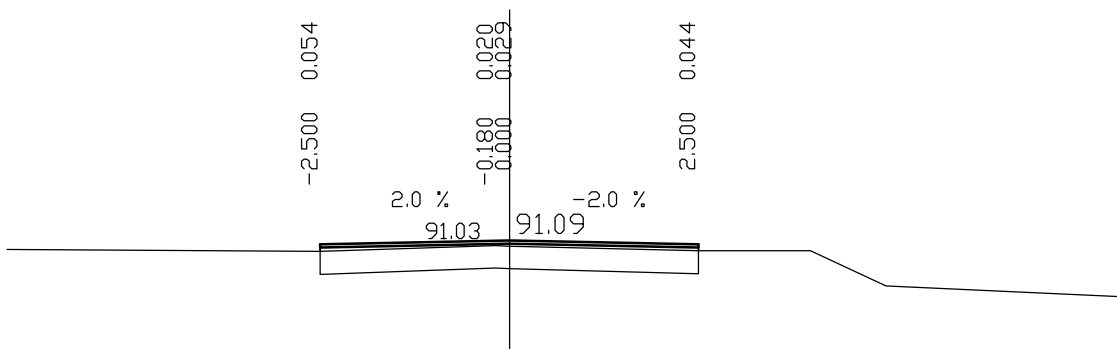
13549.00 PL=0.00 PP=0.00 W=0.2531 F=0.0000



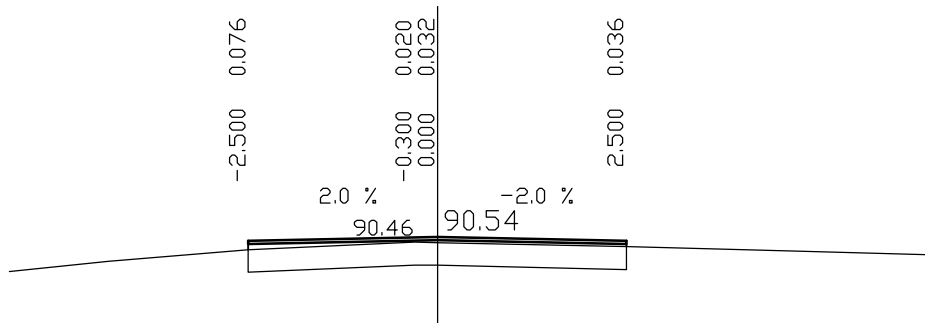
13577.90 PL=0.00 PP=0.00 W=0.2125 F=0.0000



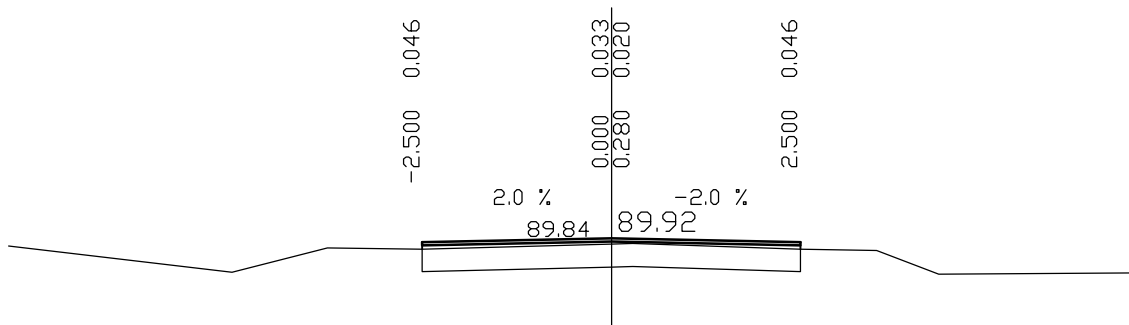
13608.00 PL=0.00 PP=0.00 W=0.1828 F=0.0000



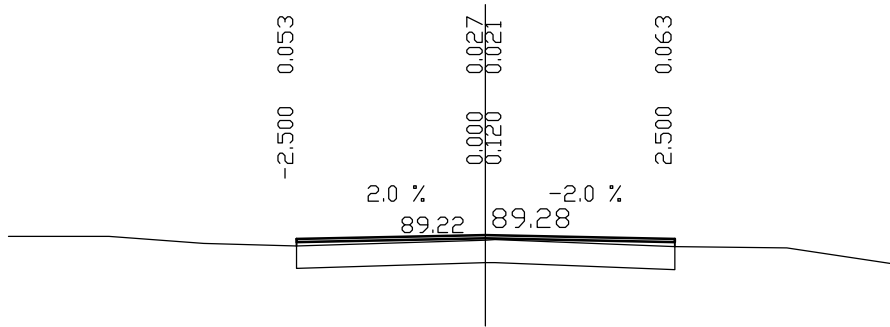
13636.80 PL=0.00 PP=0.00 W=0.1999 F=0.0000



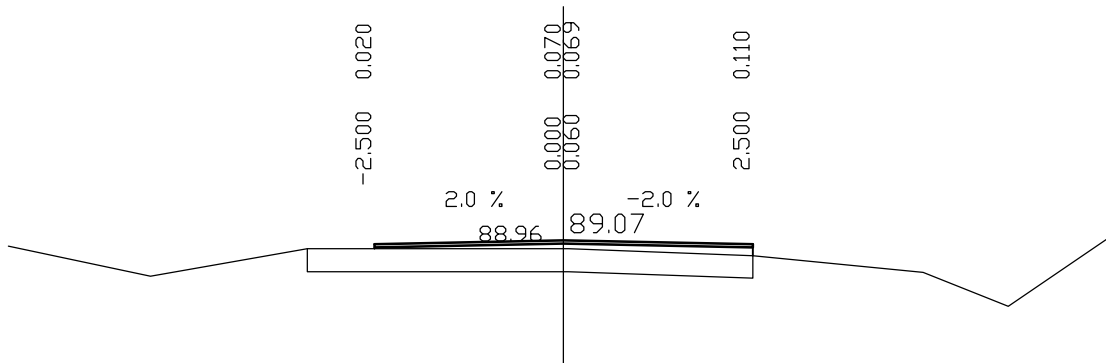
13666.30 PL=0.00 PP=0.00 W=0.1808 F=0.0000



13696.60 PL=0.00 PP=0.00 W=-0.2029 F=0.0000



13706.00 PL=0.00 PP=0.00 W=-0.3351 F=0.0000



13713.00 PL=0.00 PP=0.00 W=0.0000 F=0.0000

