

PRZEKROJE POPRZECZNE

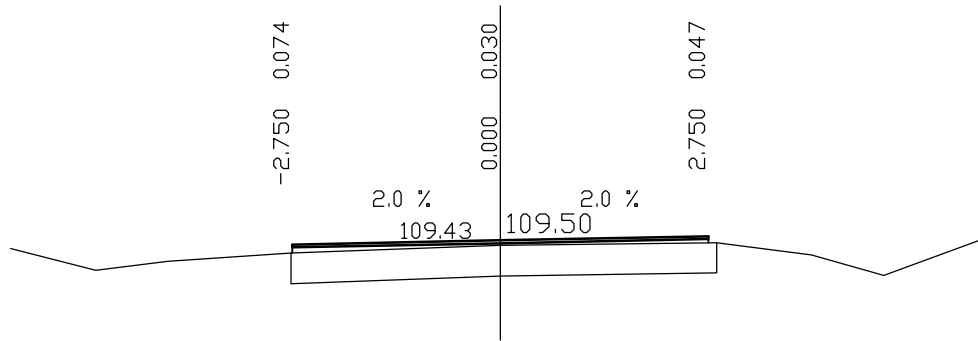
ARKUSZE OD 1 DO 22



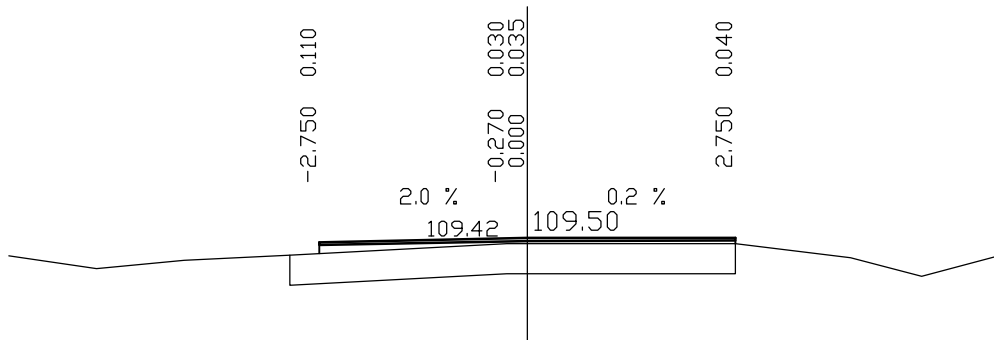
L. KLICKI, W. RUSZCZYŃSKI

<i>Tytuł opracowania:</i> PROJEKT BUDOWLANY PRZEBUDOWY DP KACICE -POKRZYWNICA- KLUSEK ODC W M. POKRZYWNICA		
<i>Tytuł rysunku:</i> PRZEKROJE POPRZECZNE WYRÓWNANIE BA	<i>Rys. nr:</i> 5	<i>Skala:</i> 1:100
<i>Opracował:</i> mgr inż. W. Ruszczyński	<i>Pracownia:</i> Drogowa	<i>Data:</i> 08 -2005
<i>Kierownik projektu:</i> mgr inż. L. Klicki 7342/Cie- 19/93	<i>Sprawdzający:</i> / - /	<i>Nr umowy:</i> -

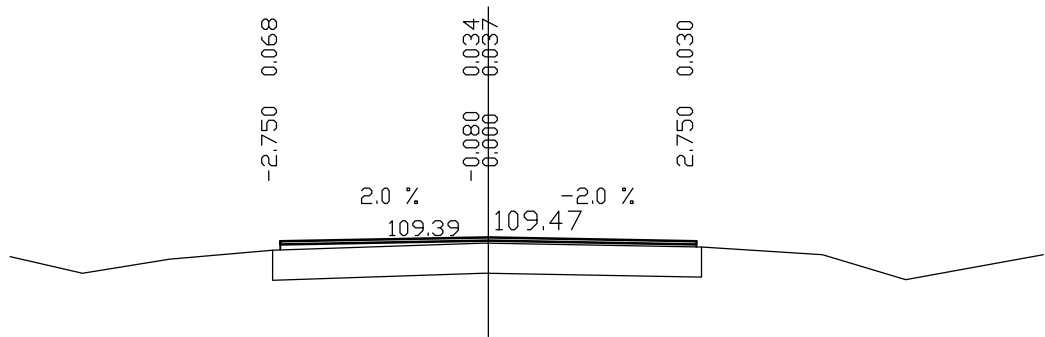
4200.00 PL=0.00 PP=0.00 W=0.2489 F=0.0000



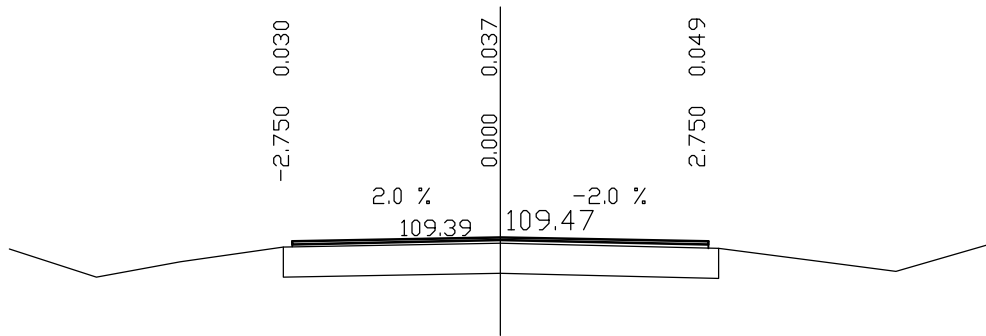
4223.80 PL=0.00 PP=0.00 W=0.2855 F=0.0000



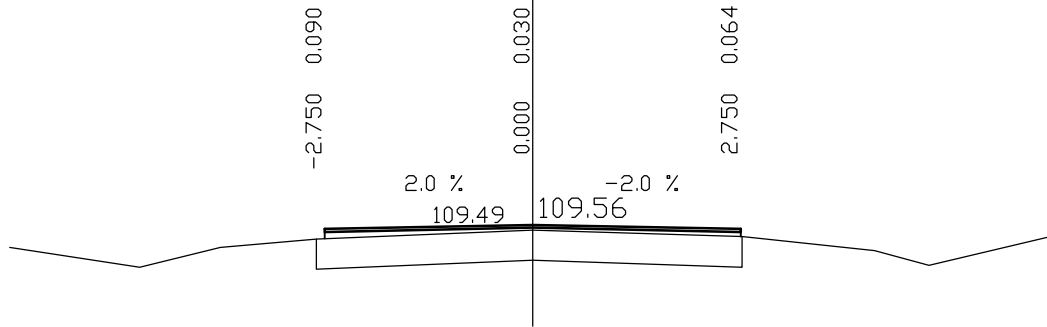
4254.80 PL=0.00 PP=0.00 W=0.2325 F=0.0000



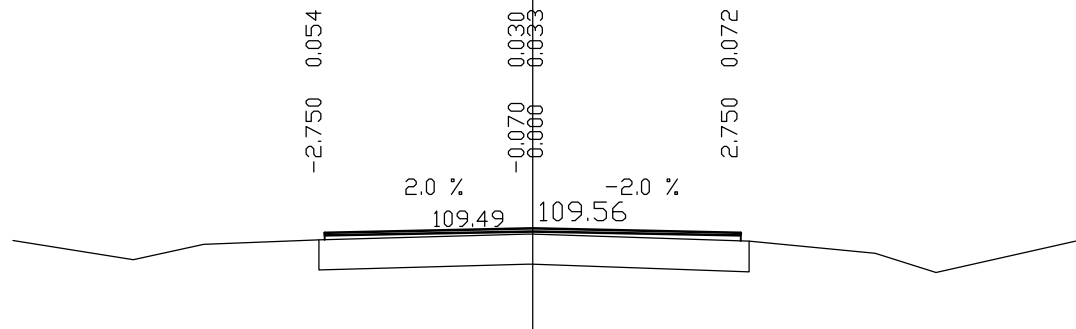
4283.20 PL=0.00 PP=0.00 W=0.2104 F=0.0000



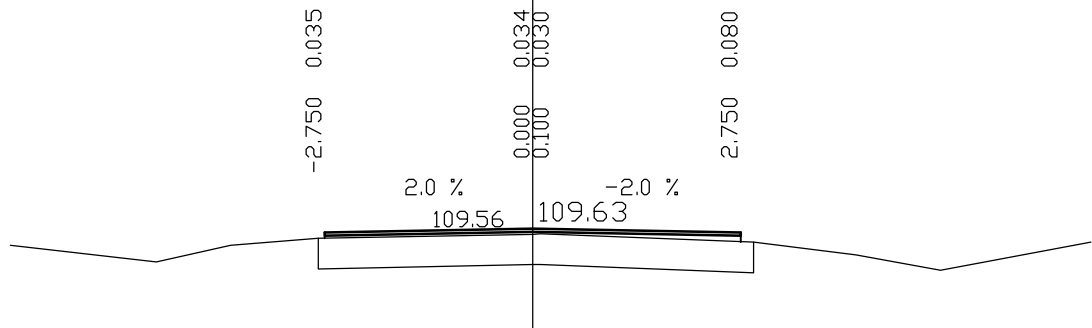
4315.00 PL=0.00 PP=0.00 W=0.2943 F=0.0000



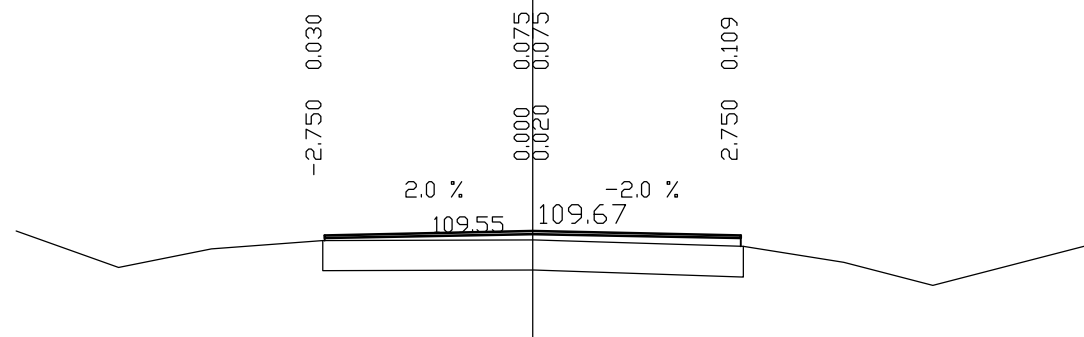
4343.60 PL=0.00 PP=0.00 W=0.2592 F=0.0000



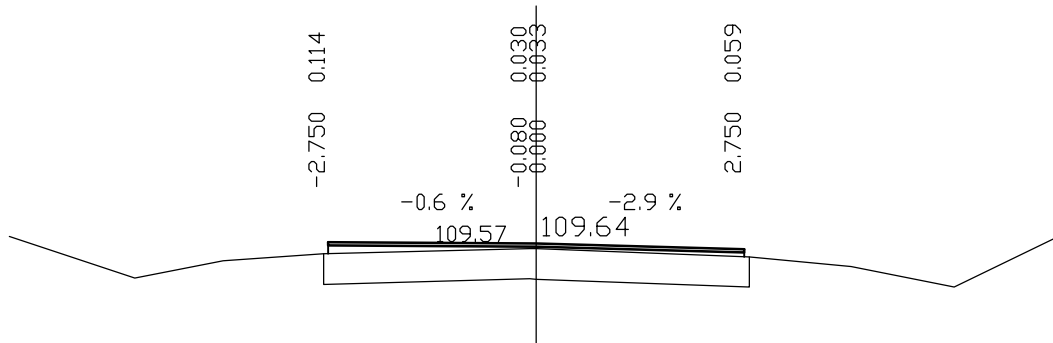
4373.00 PL=0.00 PP=0.00 W=0.2439 F=0.0000



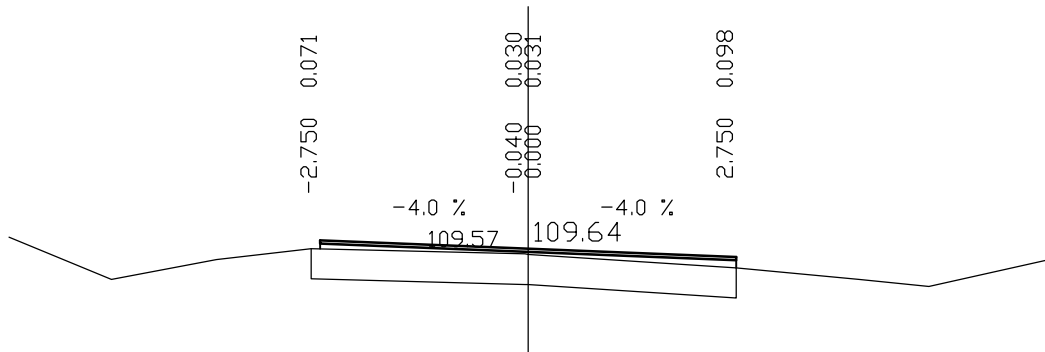
4401.00 PL=0.00 PP=0.00 W=0.3971 F=0.0000



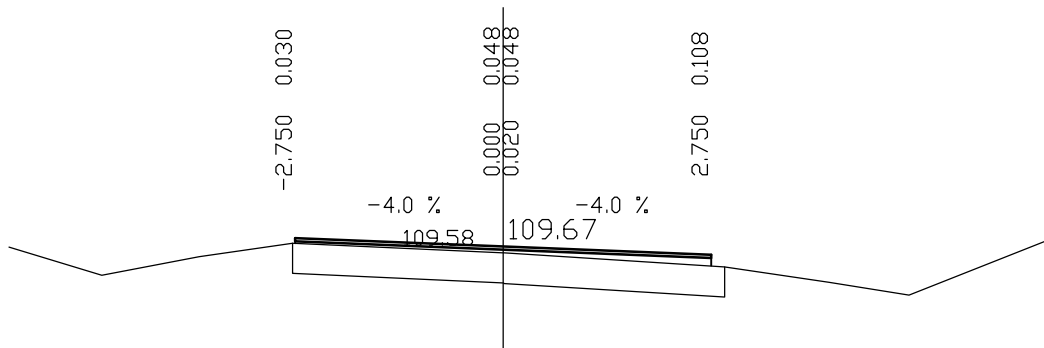
4430.10 PL=0.00 PP=0.00 W=0.3227 F=0.0000



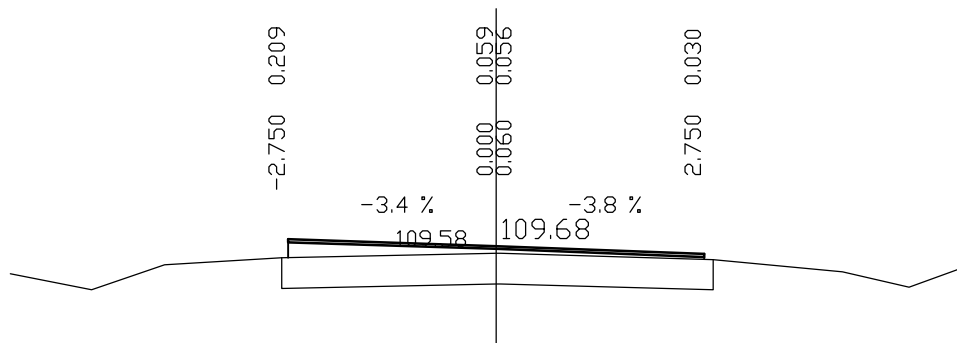
4457.30 PL=0.00 PP=0.00 W=0.3155 F=0.0000



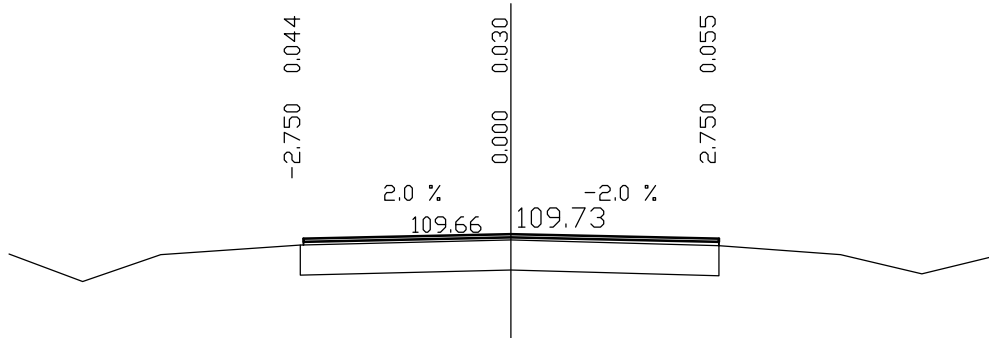
4486.80 PL=0.00 PP=0.00 W=0.3213 F=0.0000



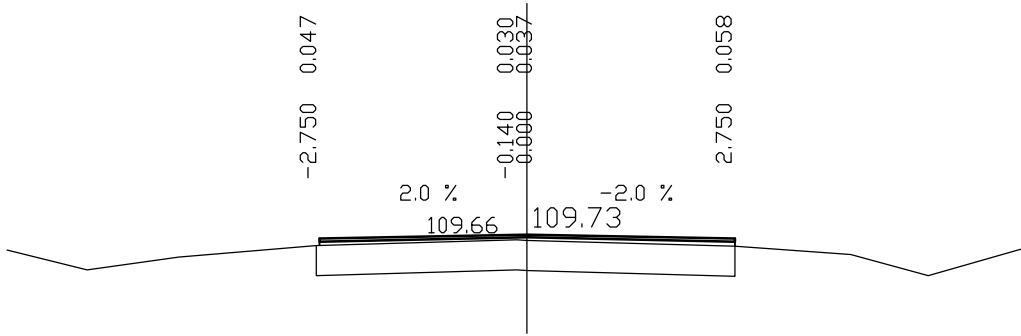
4512.90 PL=0.00 PP=0.00 W=0.4877 F=0.0000



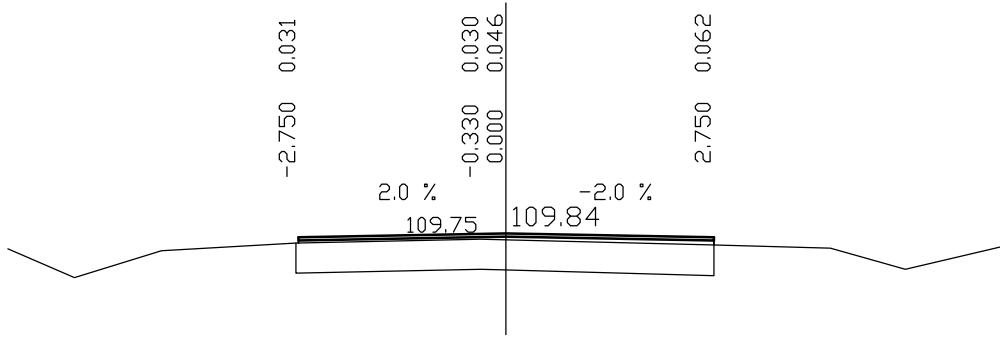
4546.20 PL=0.00 PP=0.00 W=0.2187 F=0.0000



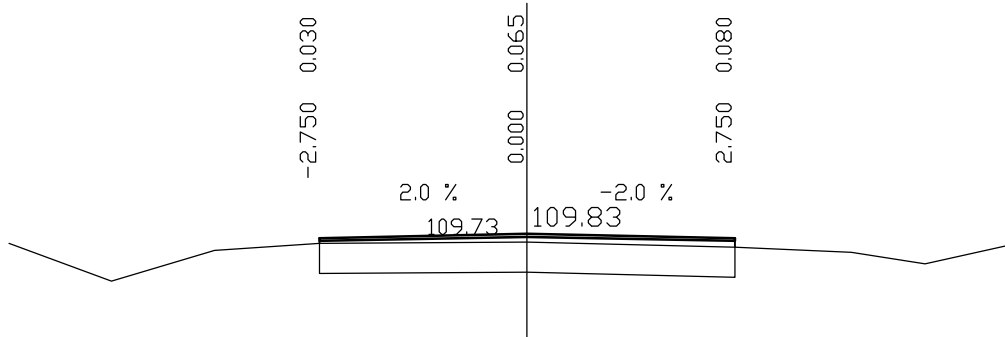
4576.60 PL=0.00 PP=0.00 W=0.2358 F=0.0000



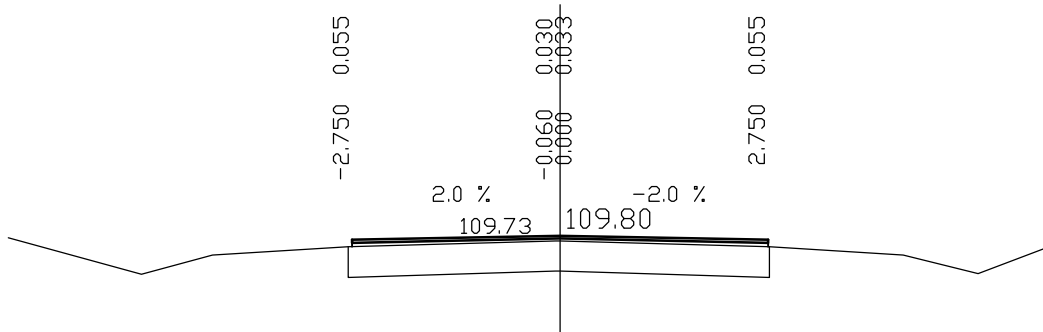
4606.80 PL=0.00 PP=0.00 W=0.2349 F=0.0000



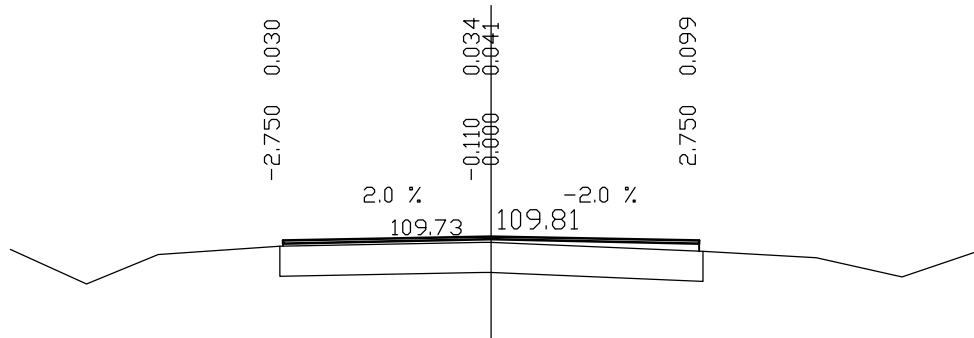
4638.80 PL=0.00 PP=0.00 W=0.3300 F=0.0000



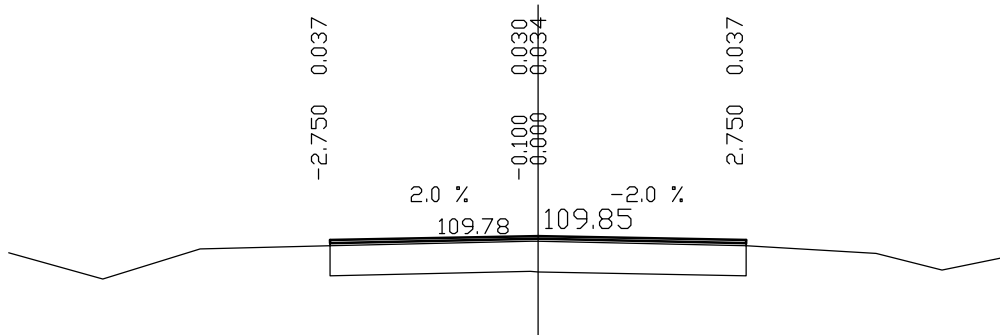
4670.40 PL=0.00 PP=0.00 W=0.2386 F=0.0000



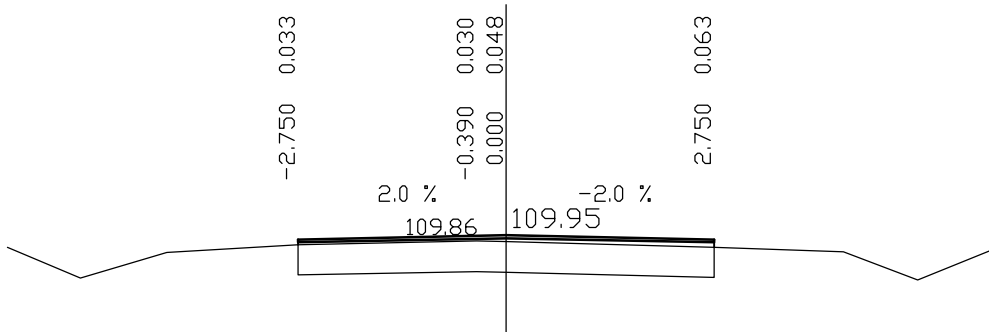
4701.90 PL=0.00 PP=0.00 W=0.2811 F=0.0000



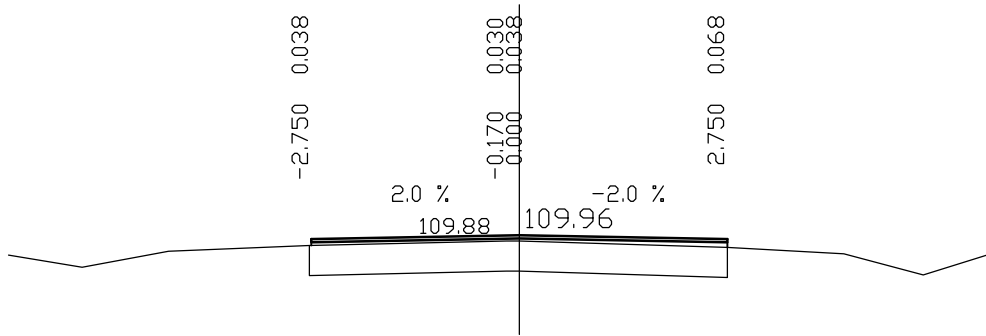
4733.90 PL=0.00 PP=0.00 W=0.1896 F=0.0000



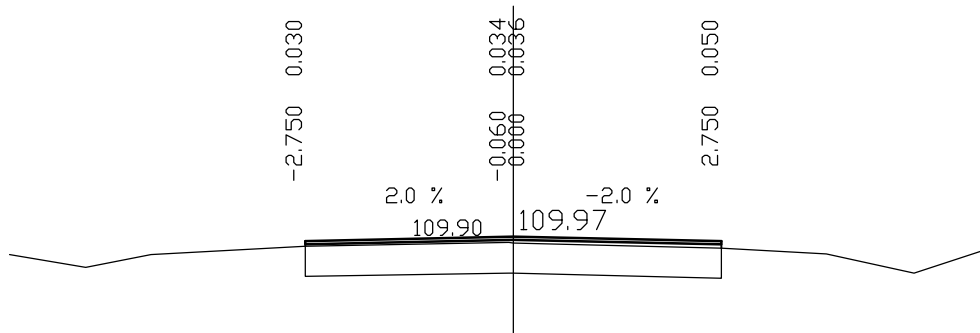
4764.40 PL=0.00 PP=0.00 W=0.2422 F=0.0000



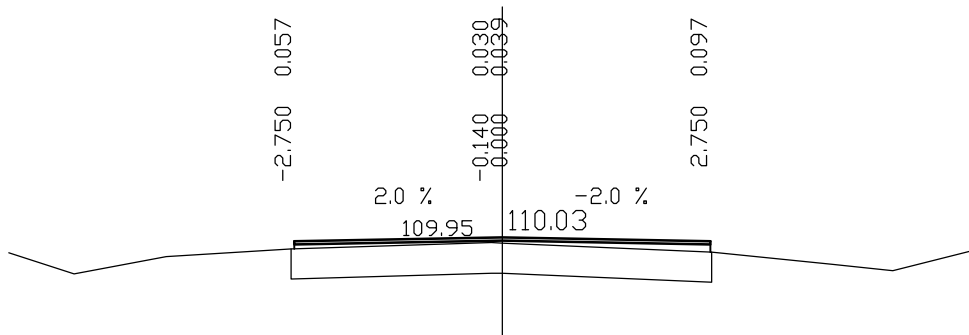
4794.80 PL=0.00 PP=0.00 W=0.2393 F=0.0000



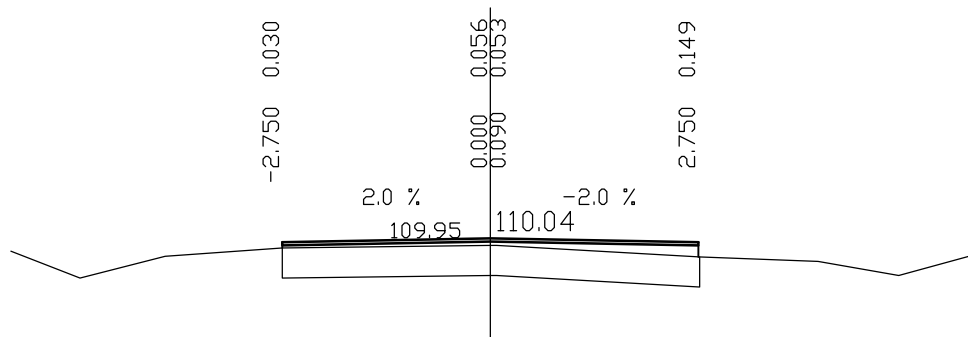
4825.10 PL=0.00 PP=0.00 W=0.2078 F=0.0000



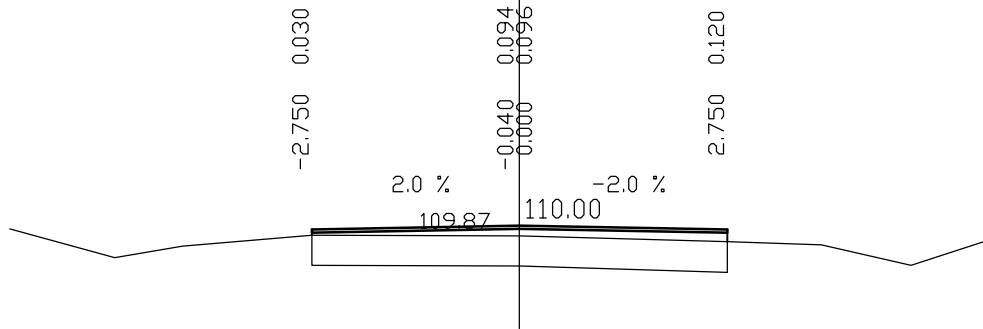
4855.90 PL=0.00 PP=0.00 W=0.3053 F=0.0000



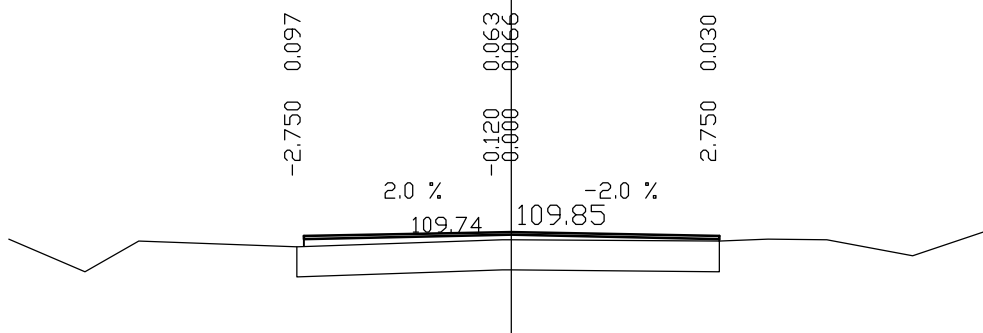
4886.80 PL=0.00 PP=0.00 W=0.3919 F=0.0000



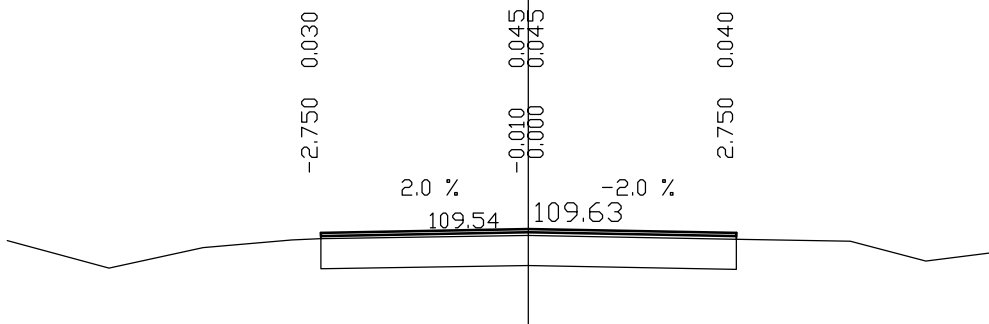
4915.20 PL=0.00 PP=0.00 W=0.4688 F=0.0000



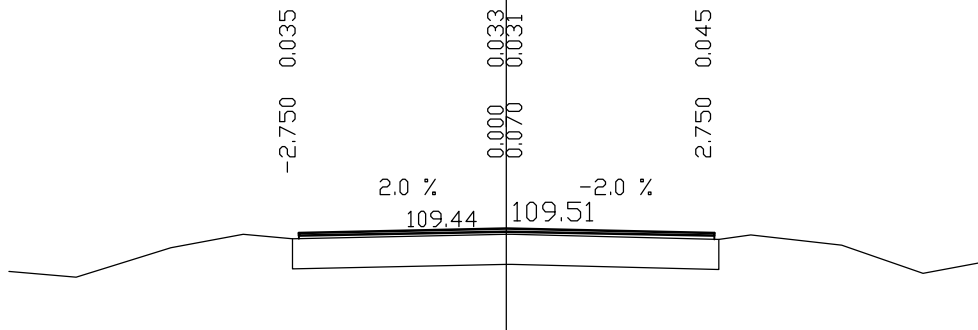
4946.70 PL=0.00 PP=0.00 W=0.3501 F=0.0000



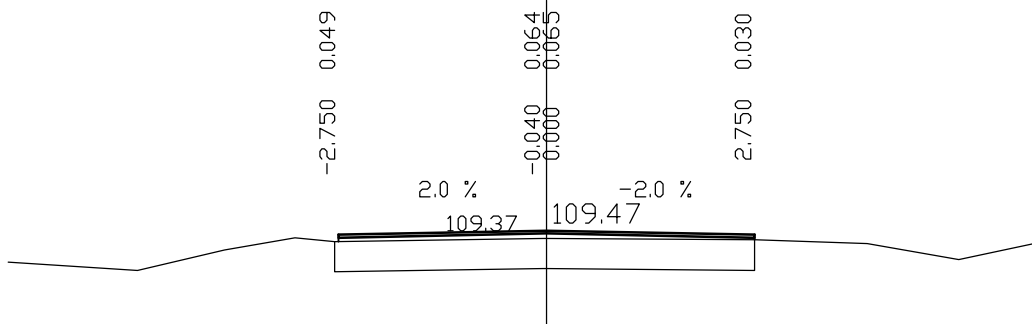
4977.50 PL=0.00 PP=0.00 W=0.2202 F=0.0000



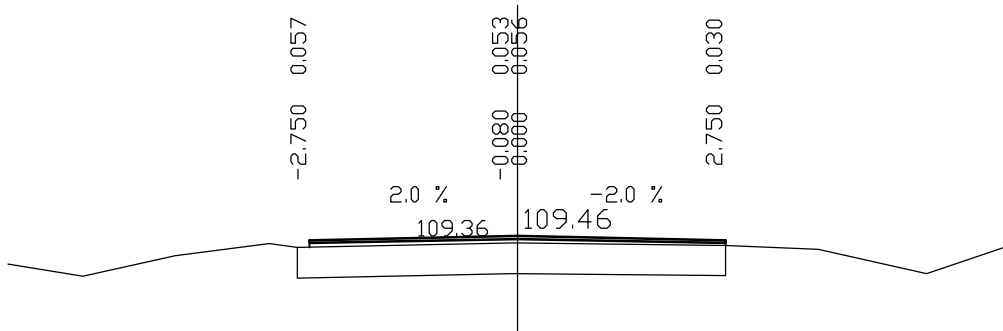
5008.40 PL=0.00 PP=0.00 W=0.2004 F=0.0000



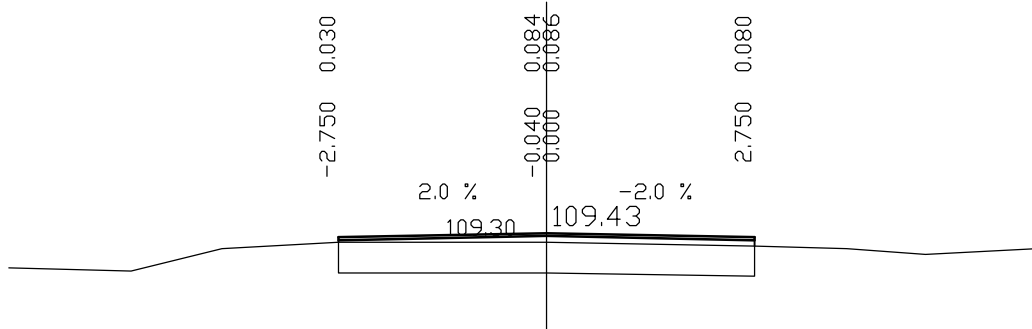
5039.20 PL=0.00 PP=0.00 W=0.2863 F=0.0000



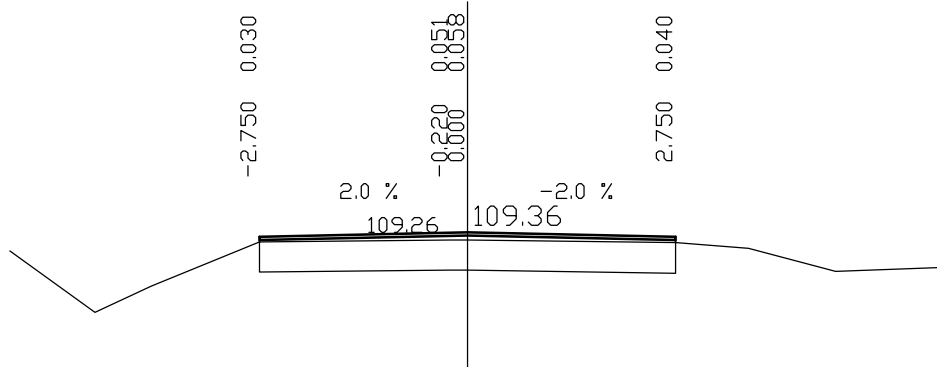
5070.00 PL=0.00 PP=0.00 W=0.2696 F=0.0000



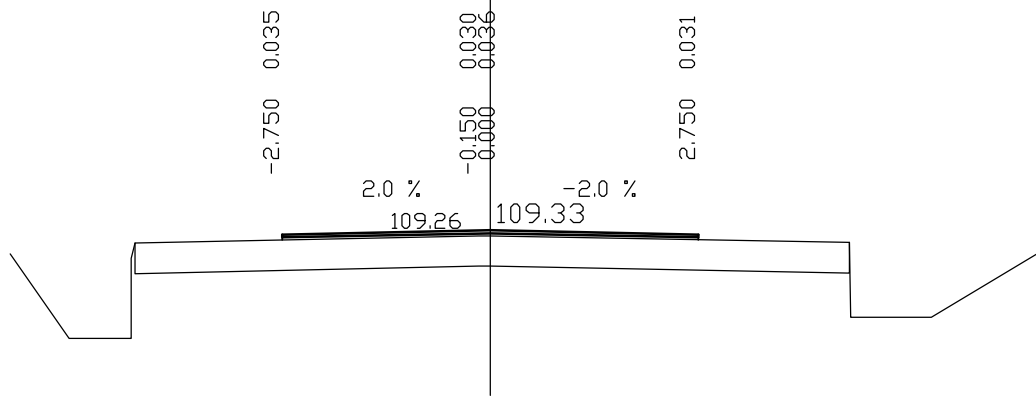
5101.20 PL=0.00 PP=0.00 W=0.3862 F=0.0000



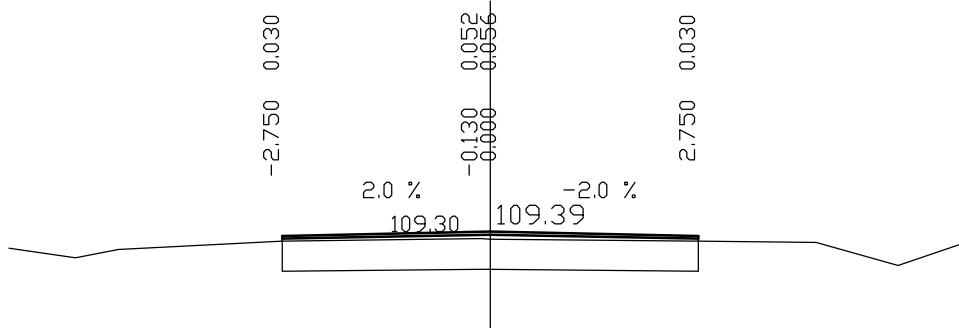
5132.10 PL=0.00 PP=0.00 W=0.2493 F=0.0000



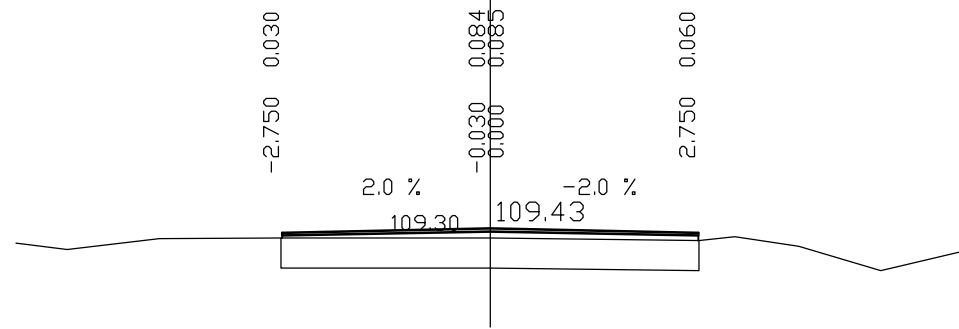
5143.40 PL=0.00 PP=0.00 W=0.1816 F=0.0000



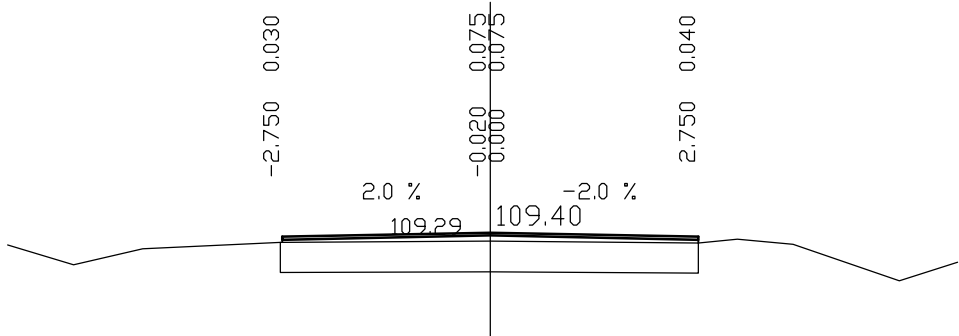
5163.00 PL=0.00 PP=0.00 W=0.2327 F=0.0000



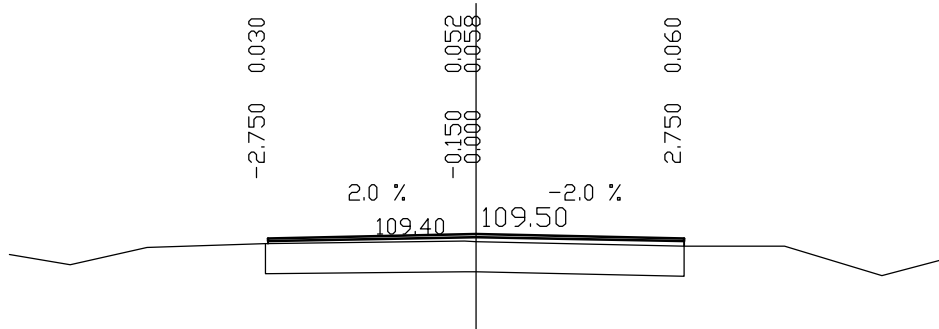
5191.70 PL=0.00 PP=0.00 W=0.3570 F=0.0000



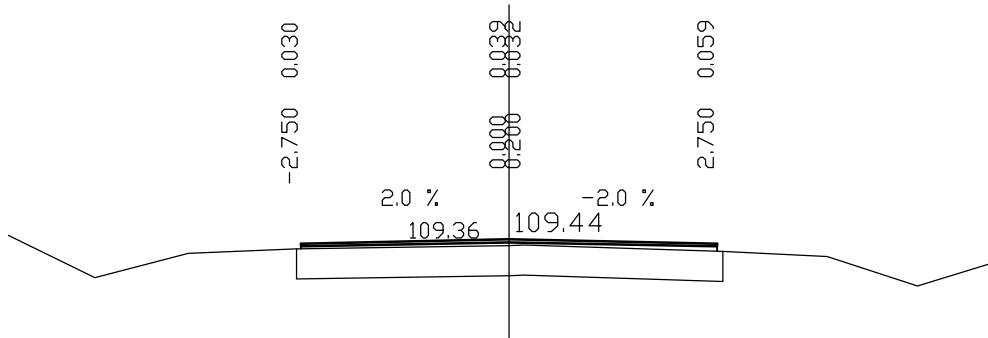
5223.60 PL=0.00 PP=0.00 W=0.3029 F=0.0000



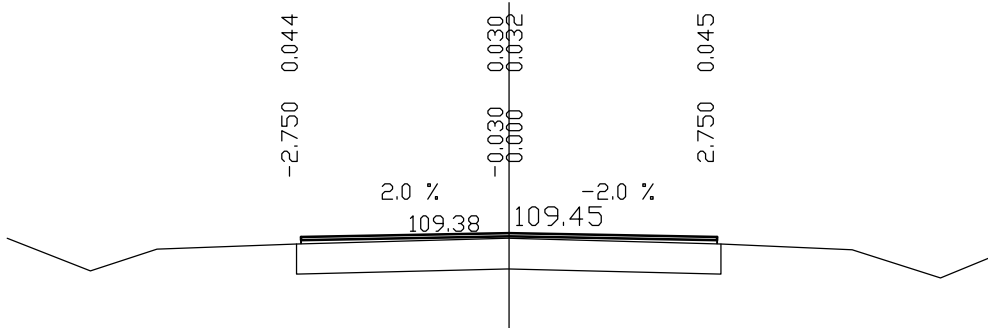
5255.40 PL=0.00 PP=0.00 W=0.2772 F=0.0000



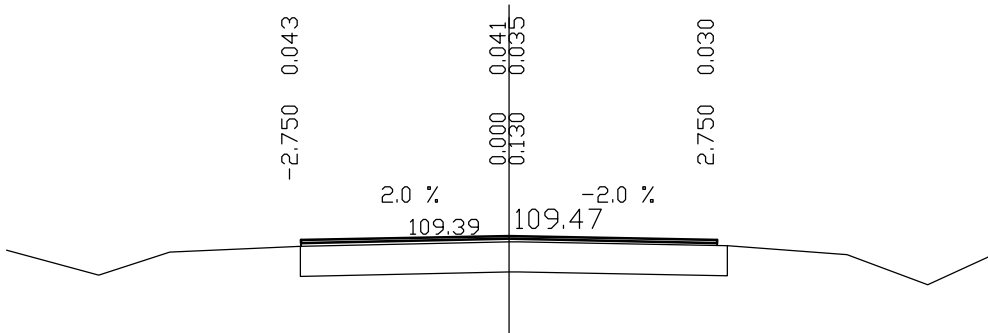
5286.70 PL=0.00 PP=0.00 W=0.2180 F=0.0000



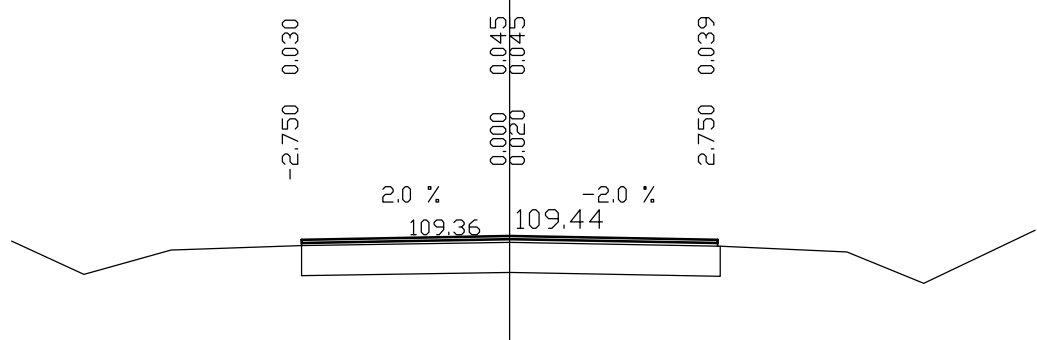
5318.70 PL=0.00 PP=0.00 W=0.2088 F=0.0000



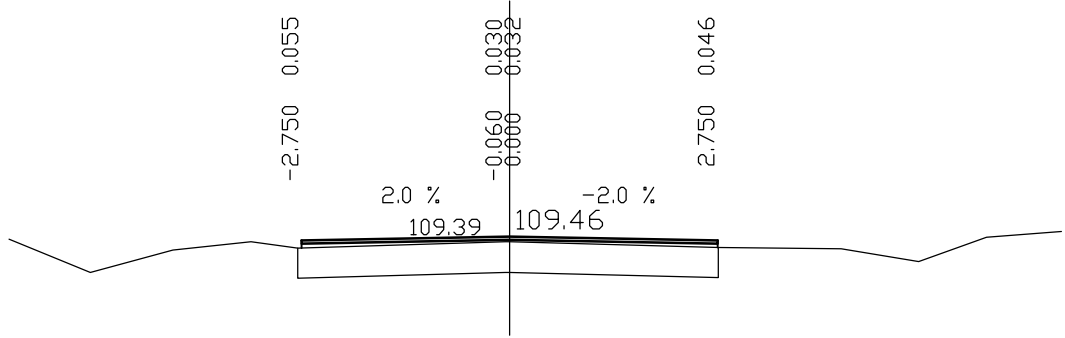
5347.70 PL=0.00 PP=0.00 W=0.2083 F=0.0000



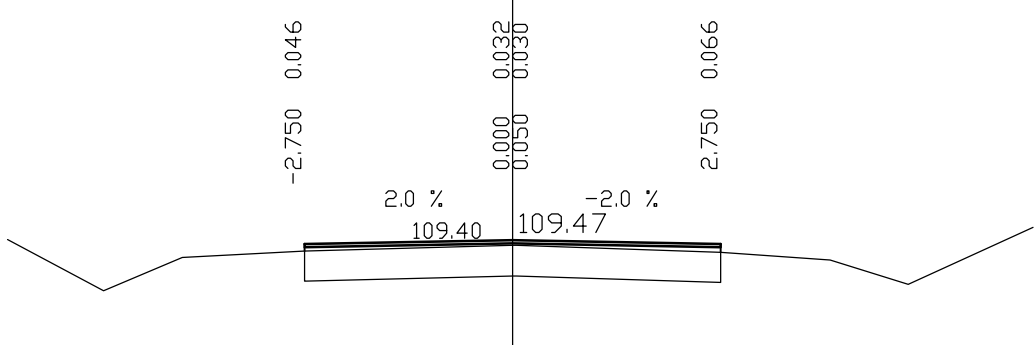
5377.90 PL=0.00 PP=0.00 W=0.2187 F=0.0000



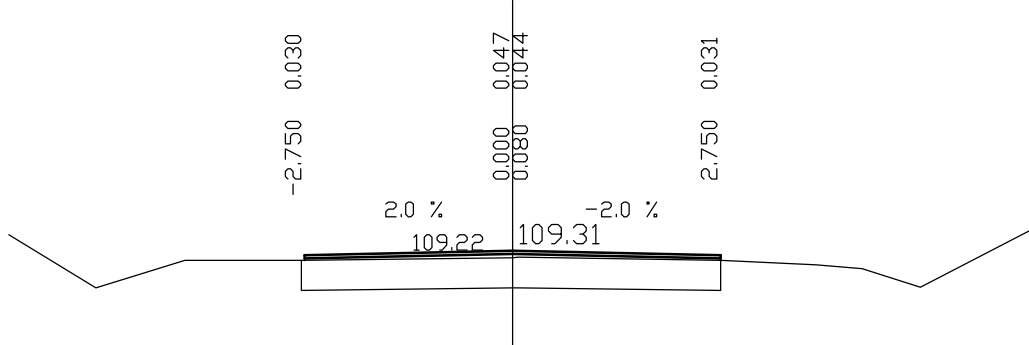
5405.00 PL=0.00 PP=0.00 W=0.2248 F=0.0000



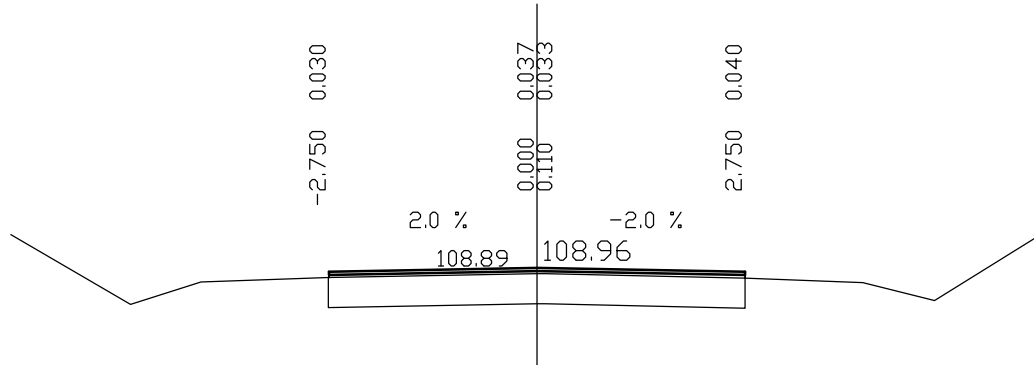
5436.90 PL=0.00 PP=0.00 W=0.2385 F=0.0000



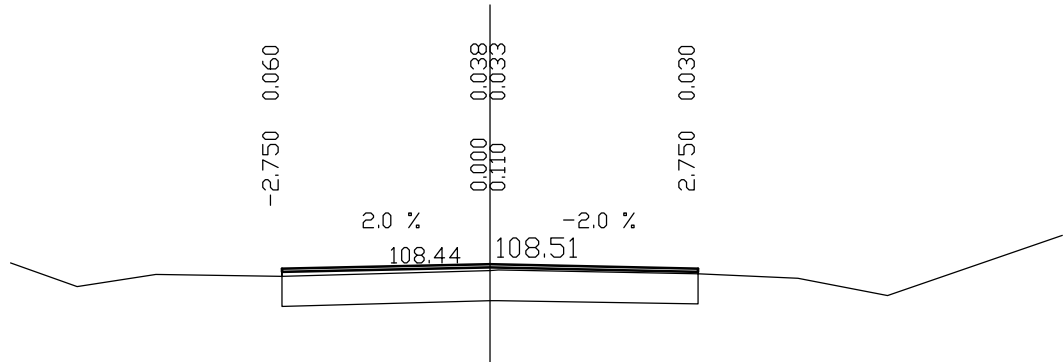
5466.20 PL=0.00 PP=0.00 W=0.2110 F=0.0000



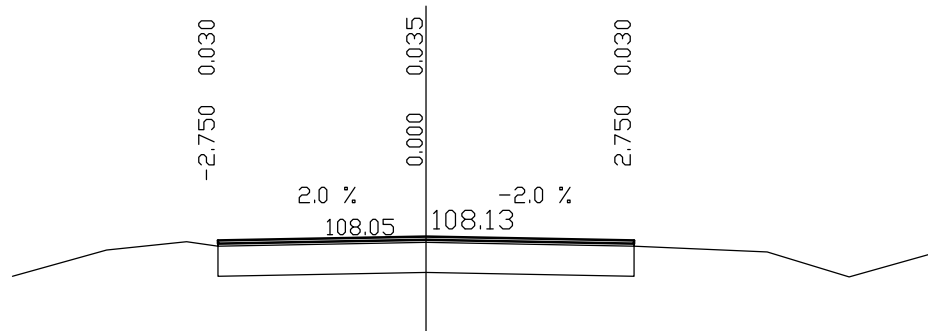
5496.20 PL=0.00 PP=0.00 W=0.1924 F=0.0000



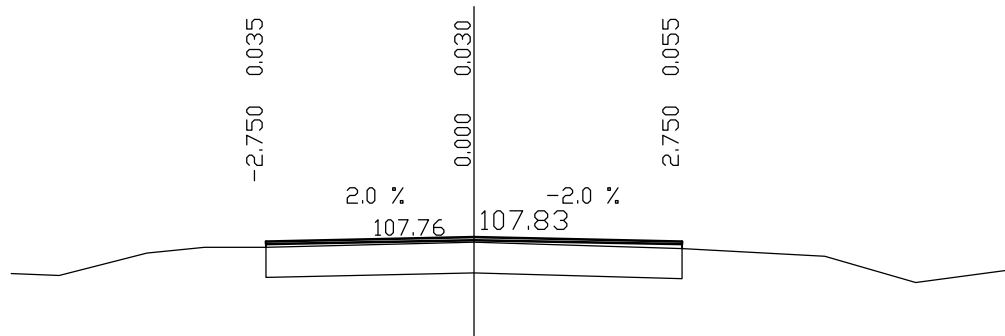
5525.10 PL=0.00 PP=0.00 W=0.2219 F=0.0000



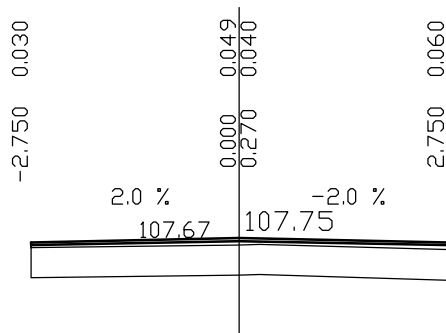
5554.40 PL=0.00 PP=0.00 W=0.1788 F=0.0000



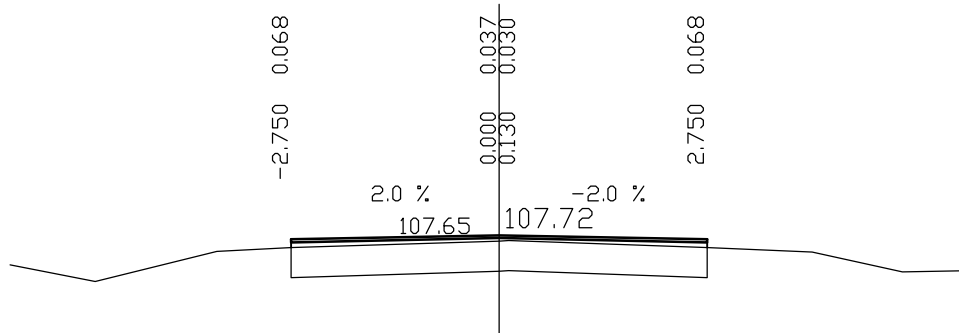
5584.50 PL=0.00 PP=0.00 W=0.2063 F=0.0000



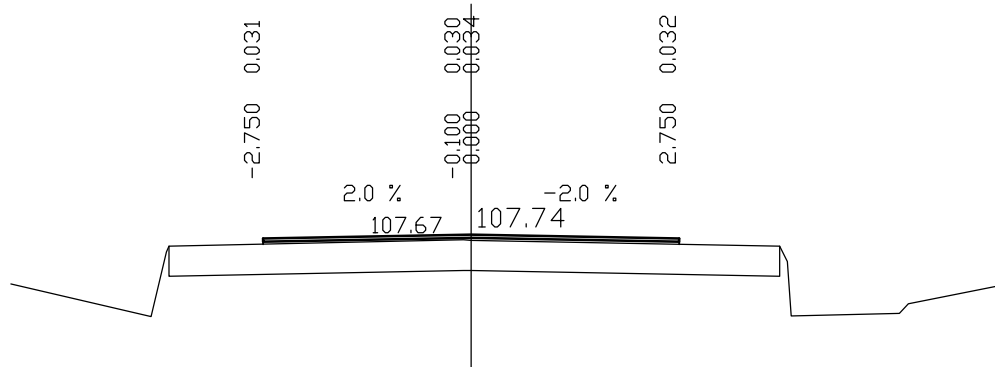
5600.20 PL=0.00 PP=0.00 W=0.2446 F=0.0000



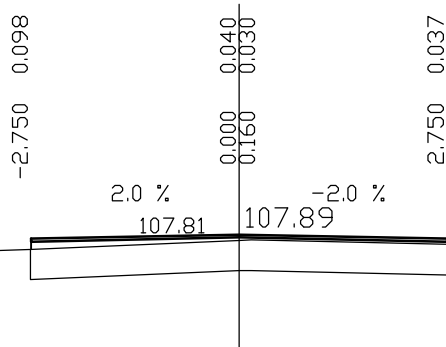
5614.20 PL=0.00 PP=0.00 W=0.2772 F=0.0000



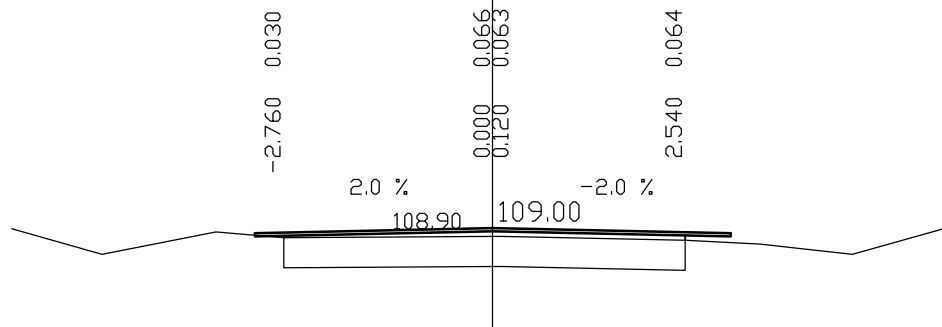
5625.20 PL=0.00 PP=0.00 W=0.1748 F=0.0000



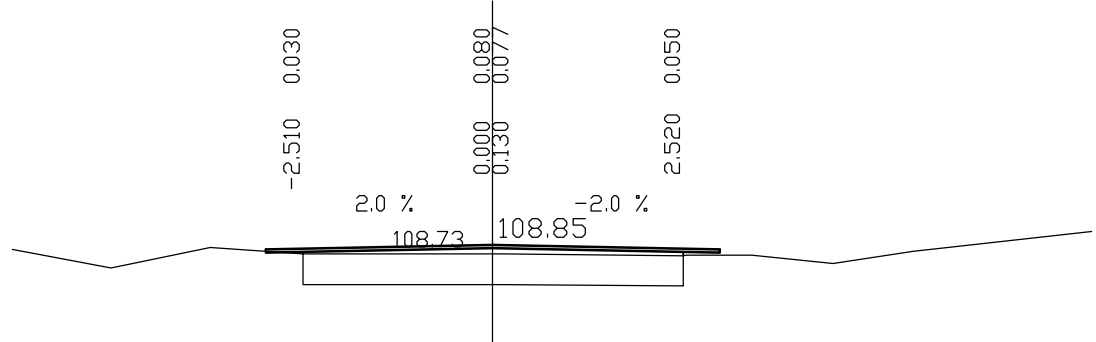
5644.10 PL=0.00 PP=0.00 W=0.2822 F=0.0000



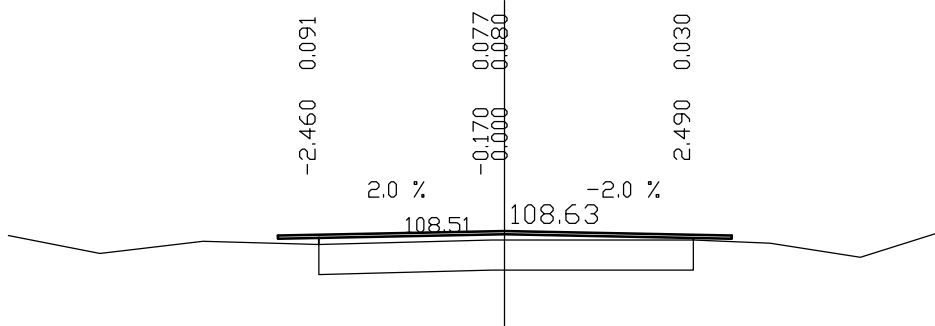
5793.30 PL=0.39 PP=0.61 W=0.2939 F=0.0000



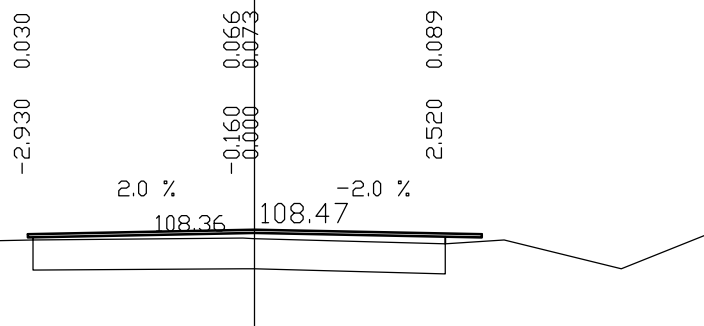
5823.10 PL=0.49 PP=0.48 W=0.3001 F=0.0000



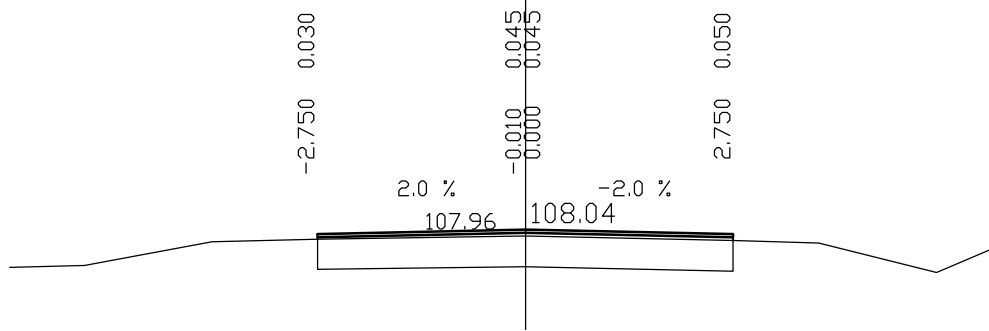
5854.80 PL=0.54 PP=0.51 W=0.3428 F=0.0000



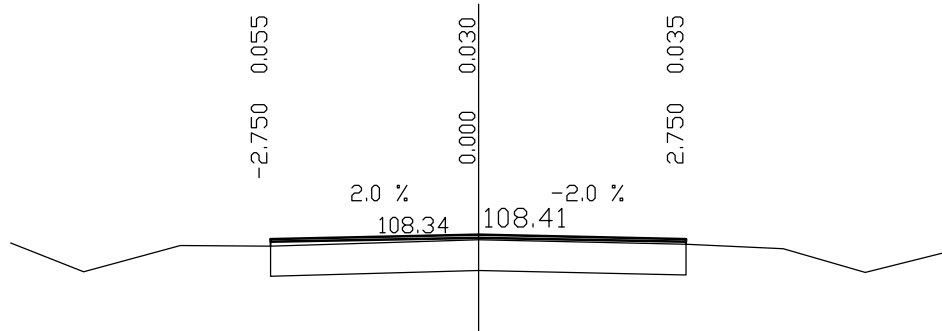
5884.50 PL=0.07 PP=0.48 W=0.3496 F=0.0000



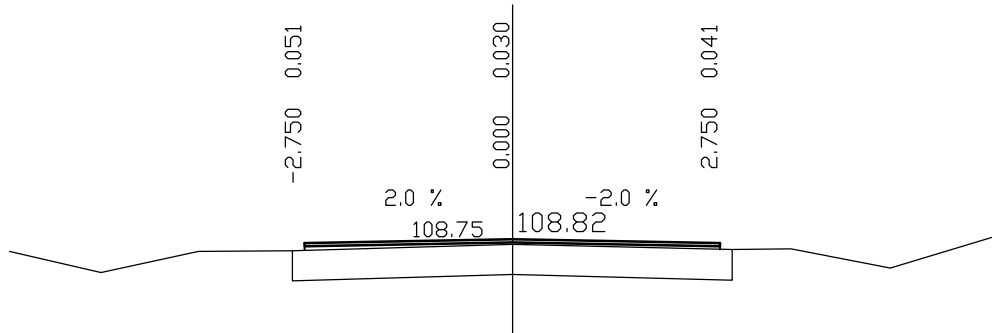
5673.30 PL=0.00 PP=0.00 W=0.2339 F=0.0000



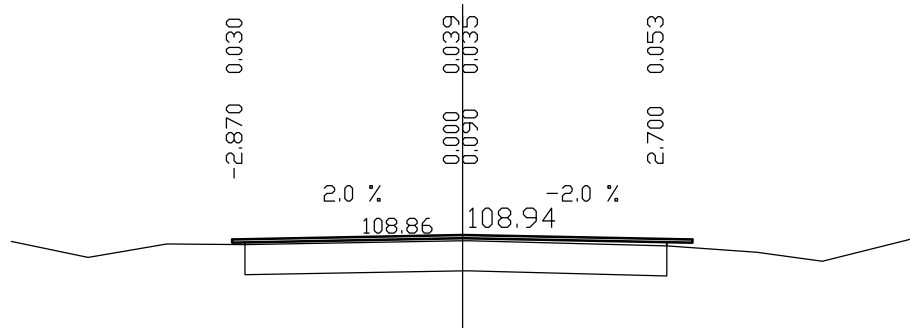
5703.30 PL=0.00 PP=0.00 W=0.2063 F=0.0000



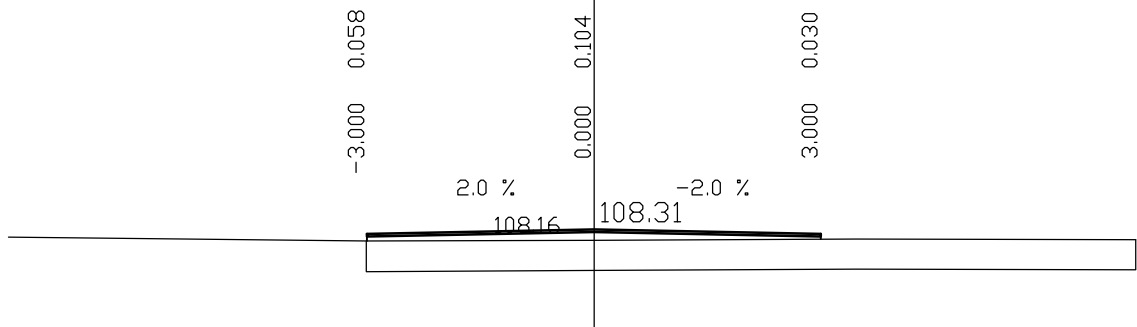
5733.50 PL=0.00 PP=0.00 W=0.2090 F=0.0000



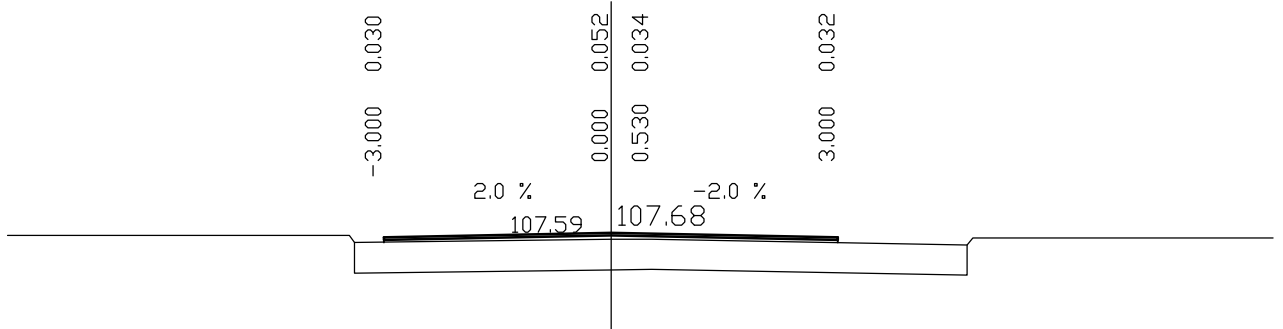
5763.70 PL=0.17 PP=0.34 W=0.2172 F=0.0000



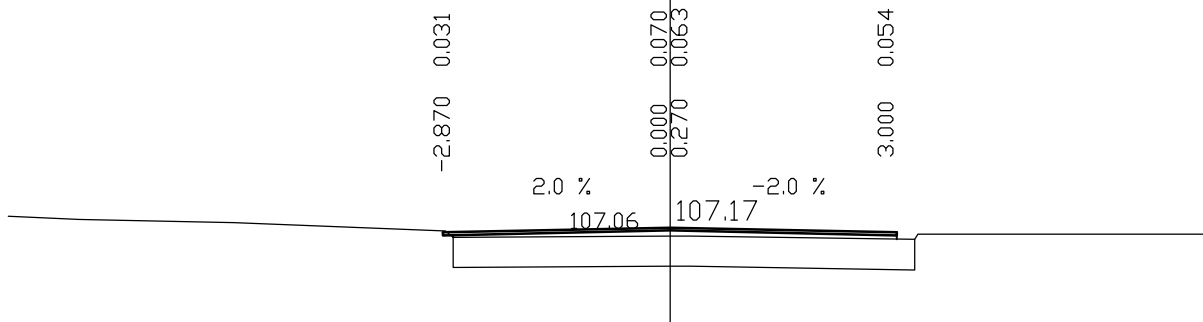
5914.30 PL=0.00 PP=0.00 W=0.4440 F=0.0000



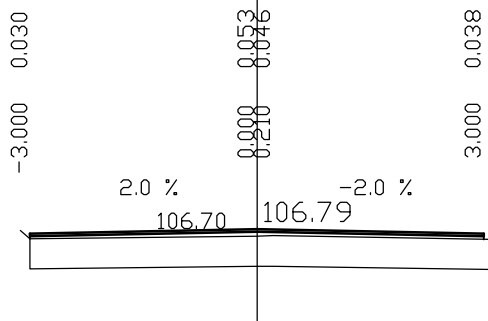
5959.30 PL=0.00 PP=0.00 W=0.2289 F=0.0000



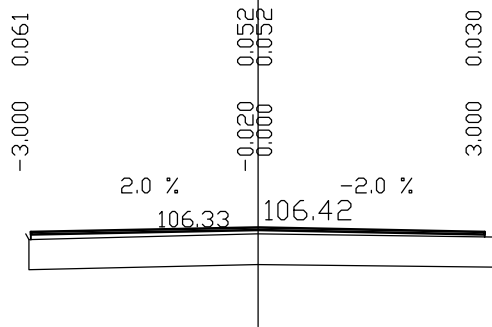
5990.10 PL=0.13 PP=0.00 W=0.3226 F=0.0000



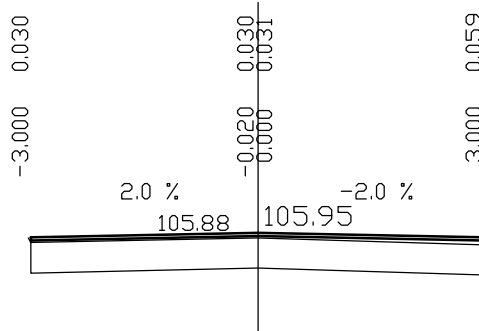
6019.30 PL=0.00 PP=0.00 W=0.2521 F=0.0000



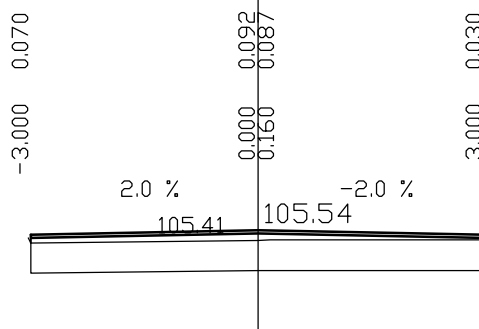
6046.70 PL=0.00 PP=0.00 W=0.2924 F=0.0000



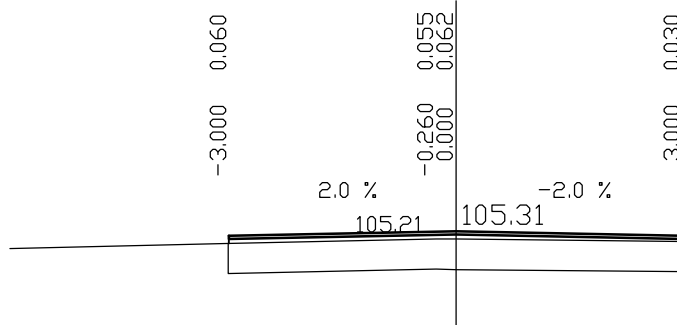
6078.30 PL=0.00 PP=0.00 W=0.2250 F=0.0000



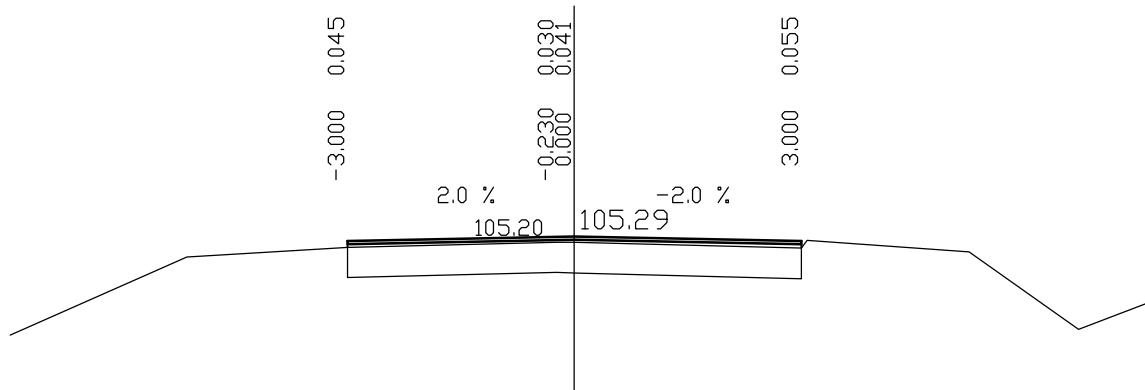
6108.10 PL=0.00 PP=0.00 W=0.4235 F=0.0000



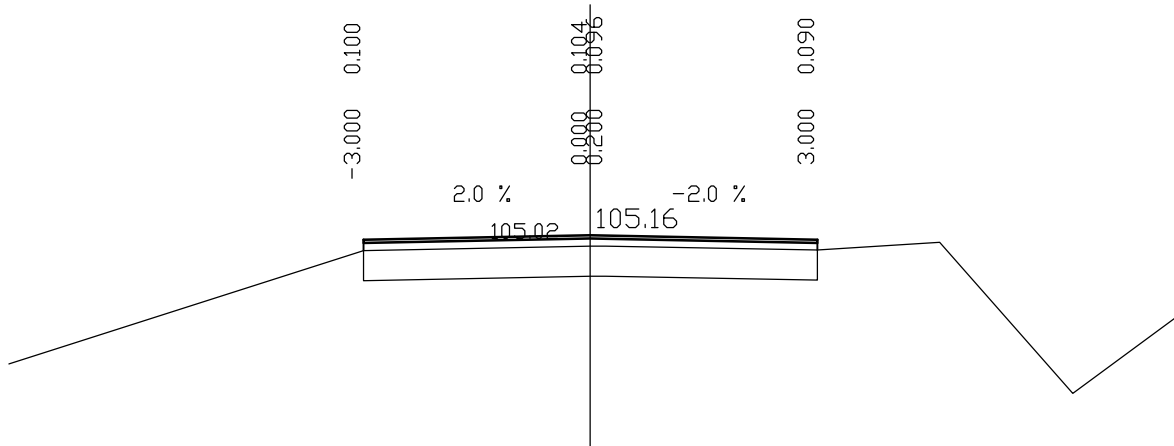
6138.10 PL=0.00 PP=0.00 W=0.3108 F=0.0000



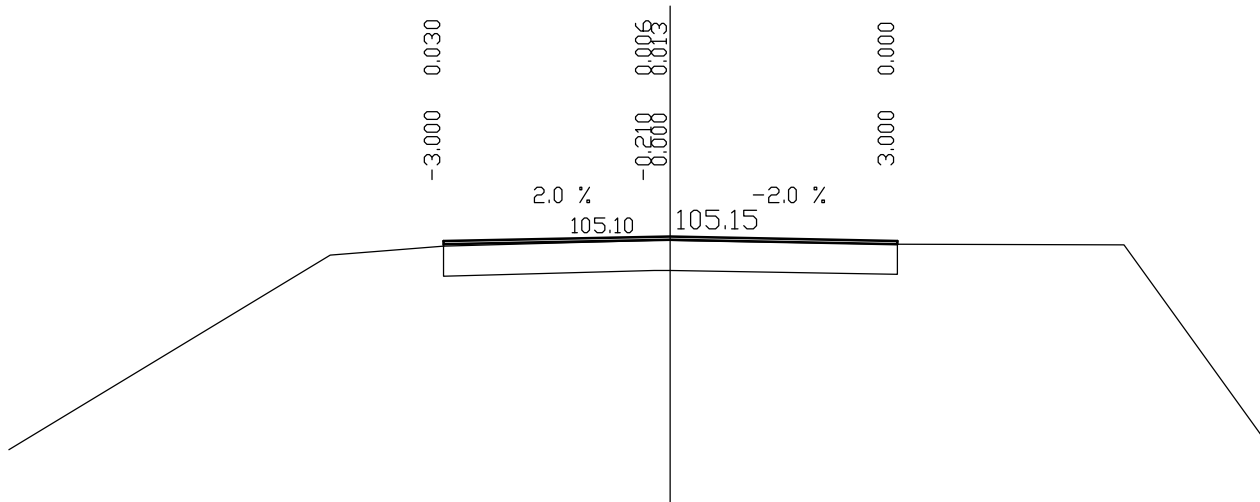
6168.00 PL=0.00 PP=0.00 W=0.2576 F=0.0000



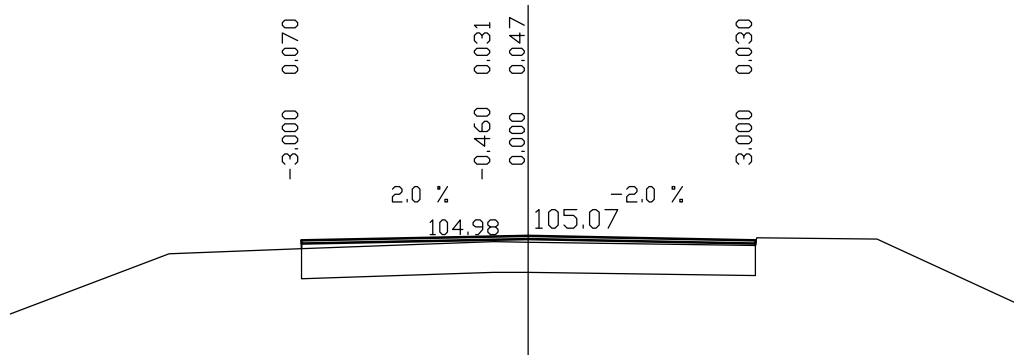
6196.50 PL=0.00 PP=0.00 W=0.5864 F=0.0000



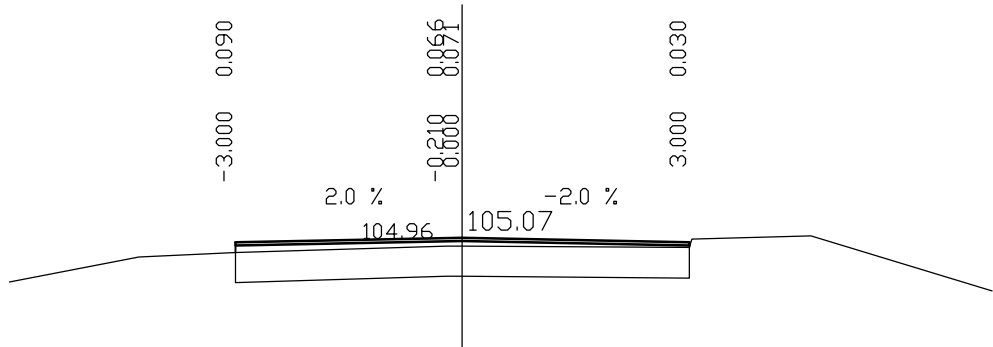
6200.00 PL=0.00 PP=0.00 W=0.0717 F=0.0000



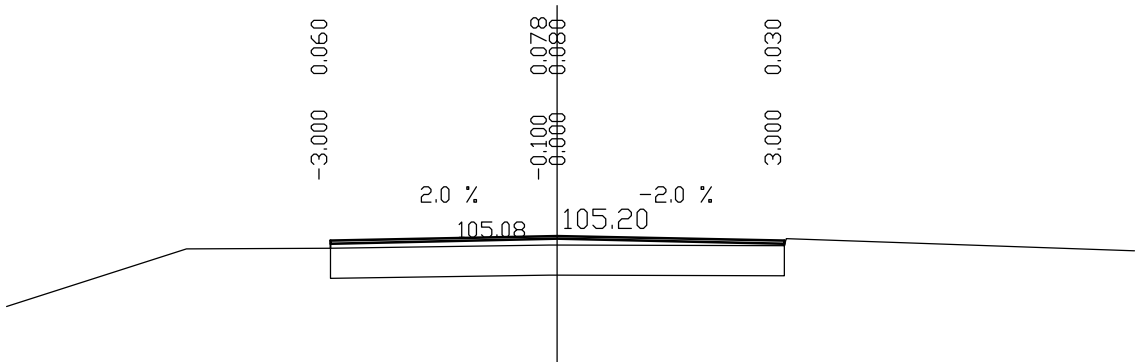
6228.30 PL=0.00 PP=0.00 W=0.2618 F=0.0000



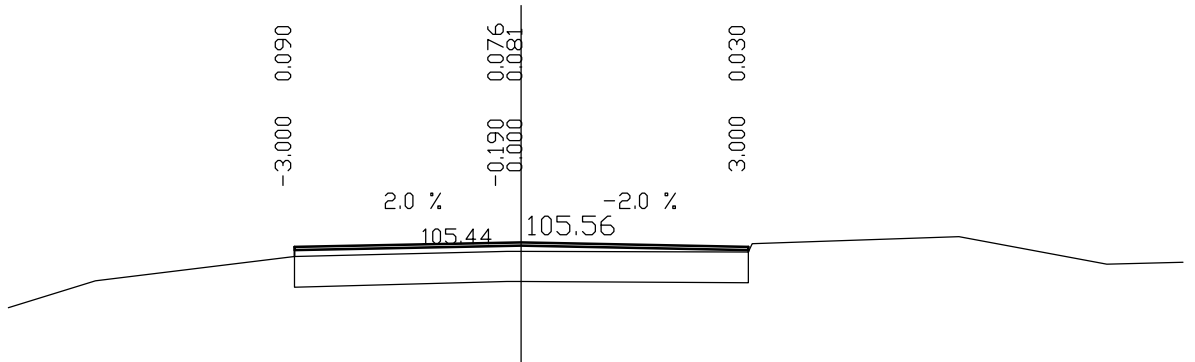
6258.40 PL=0.00 PP=0.00 W=0.3835 F=0.0000



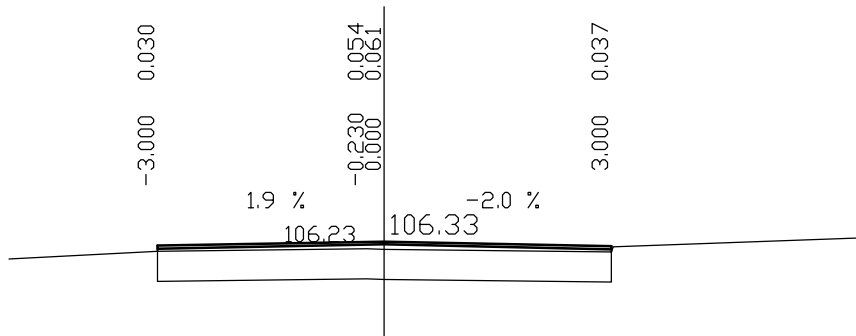
6289.90 PL=0.00 PP=0.00 W=0.3730 F=0.0000



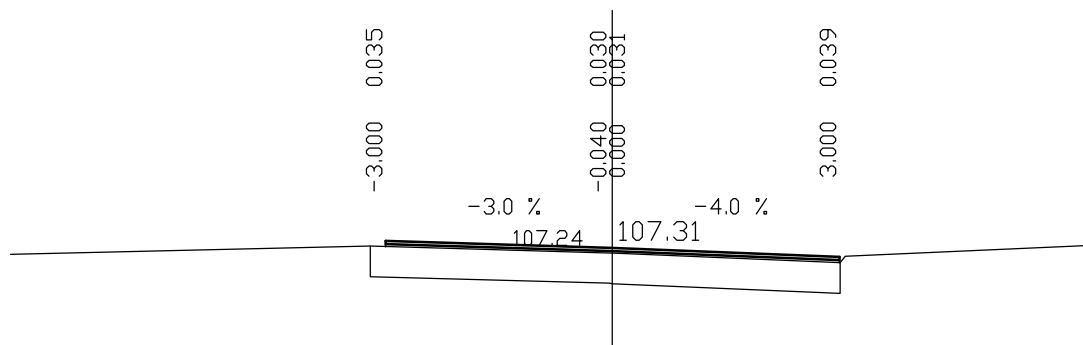
6320.30 PL=0.00 PP=0.00 W=0.4146 F=0.0000



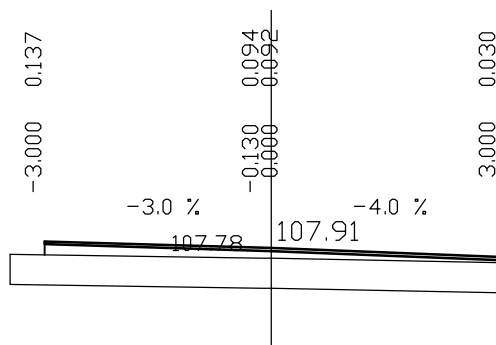
6351.10 PL=0.00 PP=0.00 W=0.2779 F=0.0000



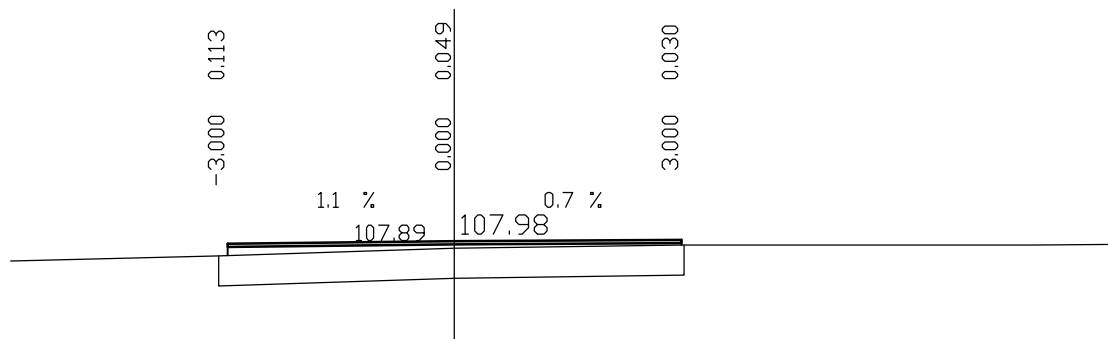
6381.70 PL=0.00 PP=0.00 W=0.2024 F=0.0000



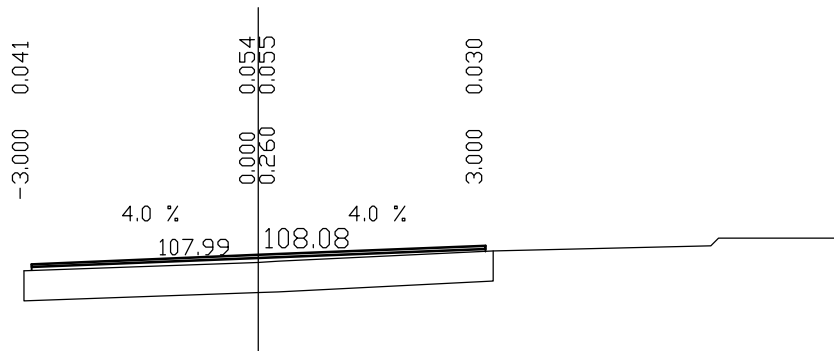
6412.50 PL=0.00 PP=0.00 W=0.5282 F=0.0000



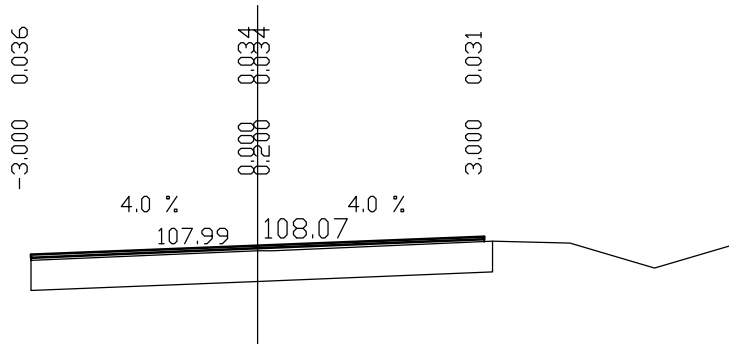
6441.30 PL=0.00 PP=0.00 W=0.3615 F=0.0000



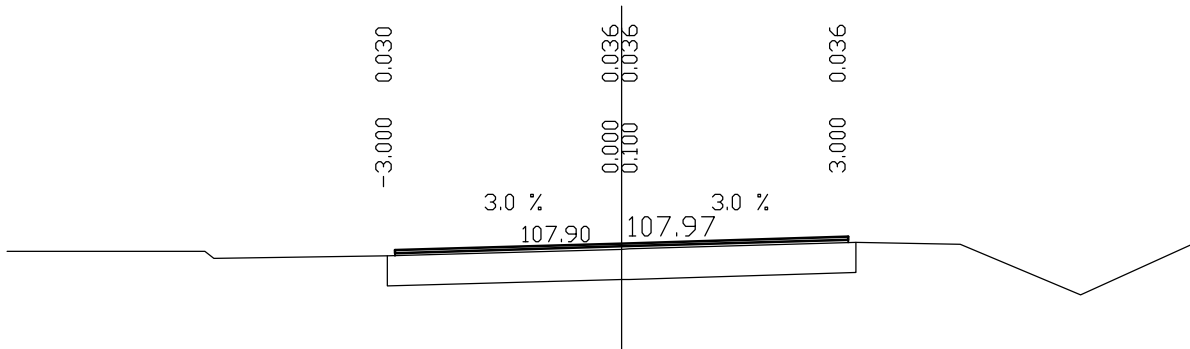
6471.30 PL=0.00 PP=0.00 W=0.2747 F=0.0000



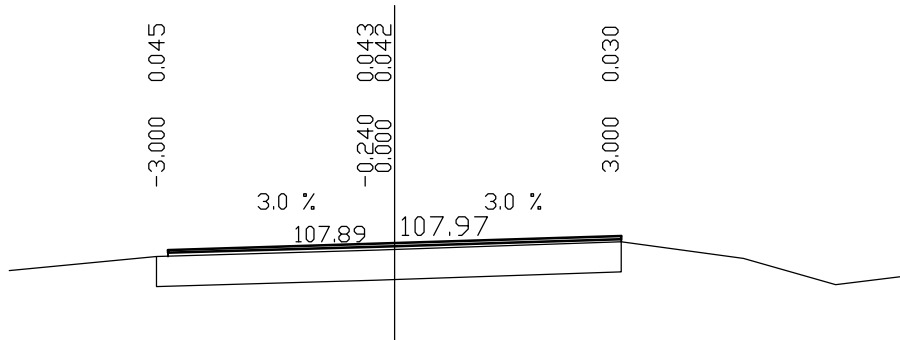
6501.80 PL=0.00 PP=0.00 W=0.2028 F=0.0000



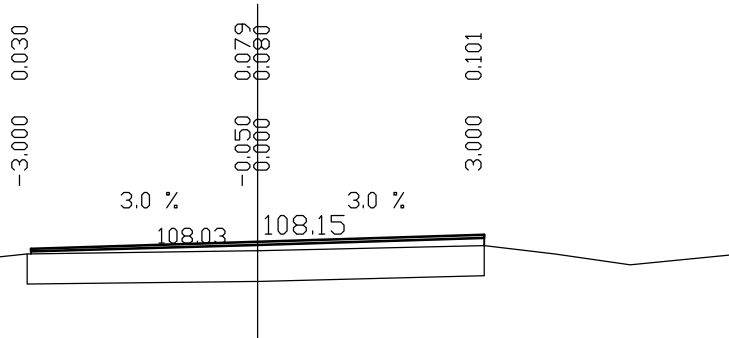
6532.00 PL=0.00 PP=0.00 W=0.2070 F=0.0000



6561.00 PL=0.00 PP=0.00 W=0.2397 F=0.0000



6585.50 PL=0.00 PP=0.00 W=0.4378 F=0.0000



6614.00 PL=0.00 PP=0.00 W=0.3878 F=0.0000

