

PRZEKROJE POPRZECZNE WYRÓWNANIE BA

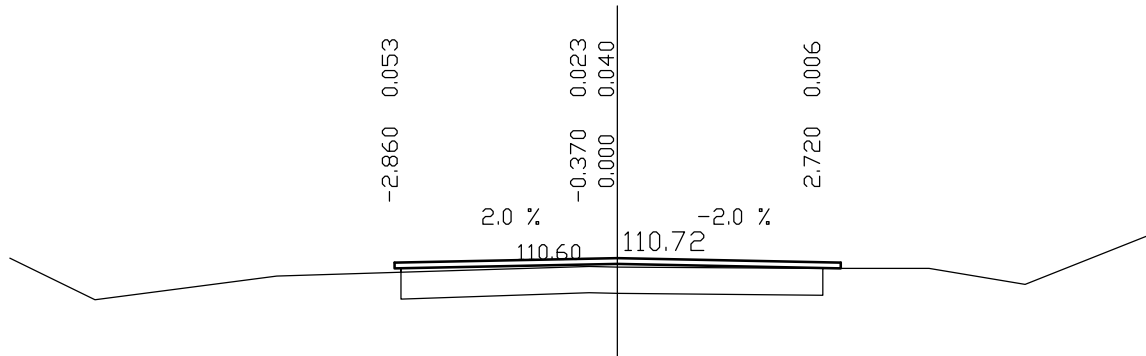
ARKUSZE OD 1 DO 57



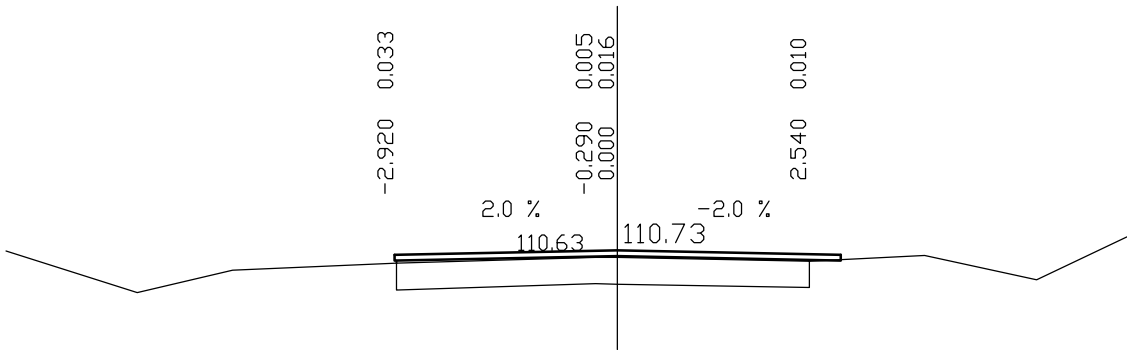
L. KLICKI, W. RUSZCZYŃSKI

| | | |
|--|-------------------------------|--------------------------|
| <i>Tytuł opracowania:</i> PROJEKT BUDOWLANY PRZEBUDOWY DP GRÓDEK OBRYTE PSARY OD KM 19+200 DO KM 30+348.57 | | |
| <i>Tytuł rysunku:</i> PRZEKROJE POPRZECZNE WYRÓWNANIE BA | <i>Rys. nr:</i> 5 | <i>Skala:</i> 1:100 |
| <i>Opracował:</i> mgr inż. W. Ruszczyński | <i>Pracownia:</i> Drogowa | <i>Data:</i> 08 -2005 |
| <i>Kierownik projektu:</i> mgr inż. L. Klicki 7342/Cie- 19/93 | <i>Sprawdzający:</i> / - / | <i>Nr umowy:</i> - |

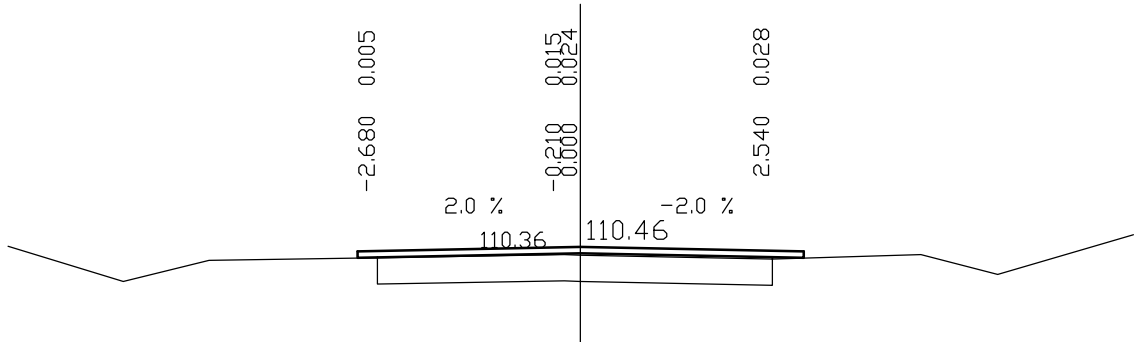
19200.00 PL=0.09 PP=0.23 W=0.1689 F=0.0000



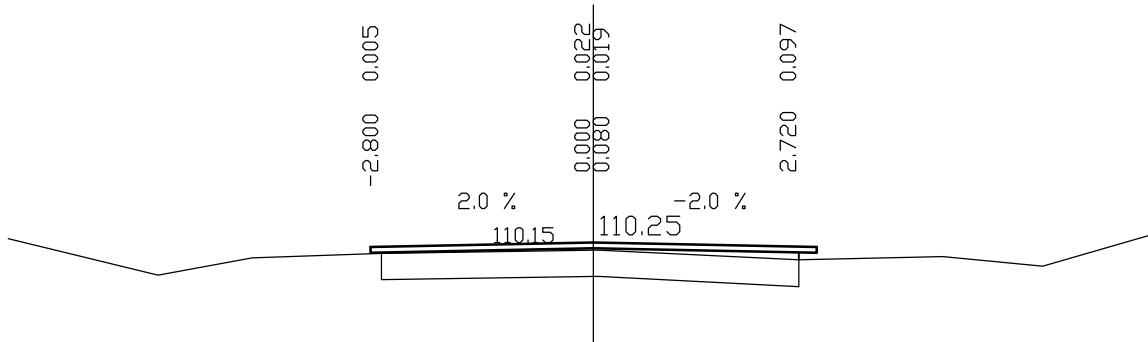
19258.40 PL=0.03 PP=0.41 W=0.0861 F=0.0000



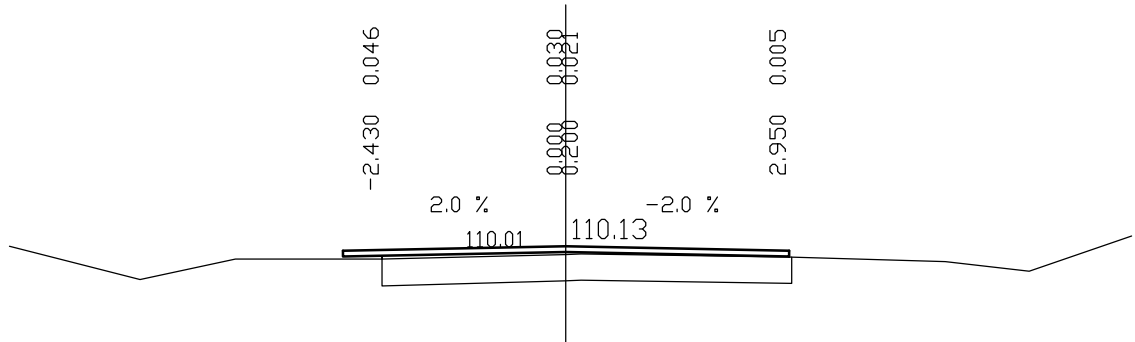
19309.40 PL=0.27 PP=0.41 W=0.0960 F=0.0000



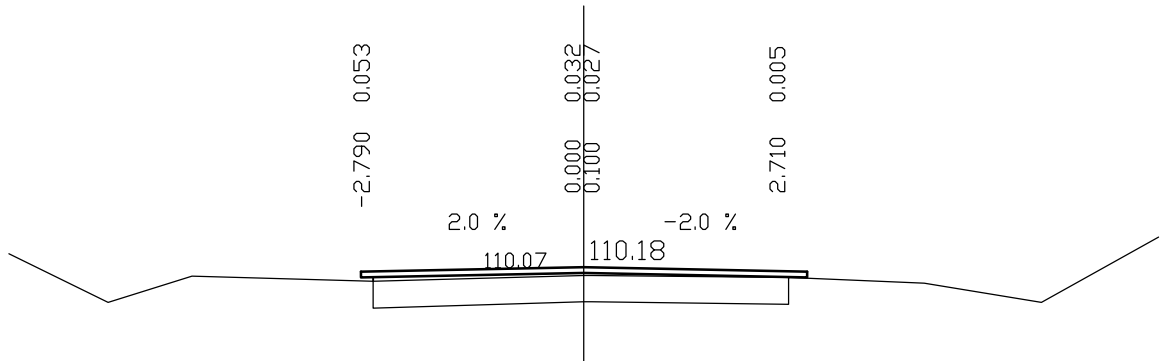
19359.90 PL=0.15 PP=0.23 W=0.1925 F=0.0000



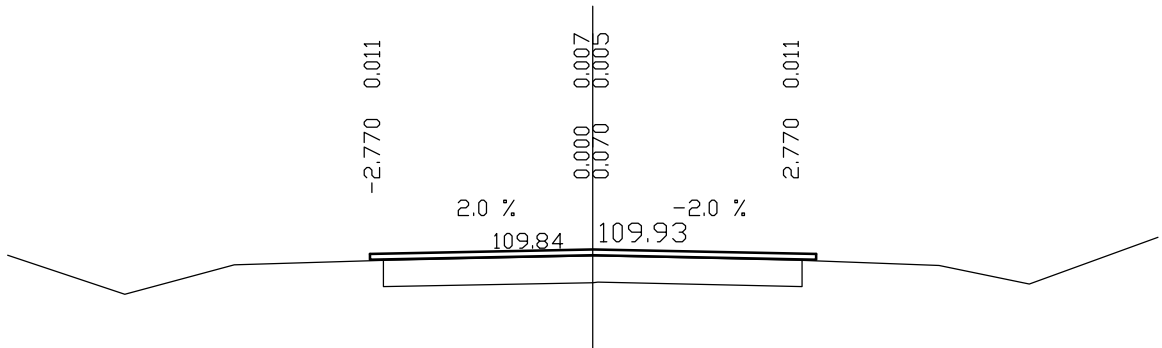
19415.90 PL=0.52 PP=0.00 W=0.1358 F=0.0000



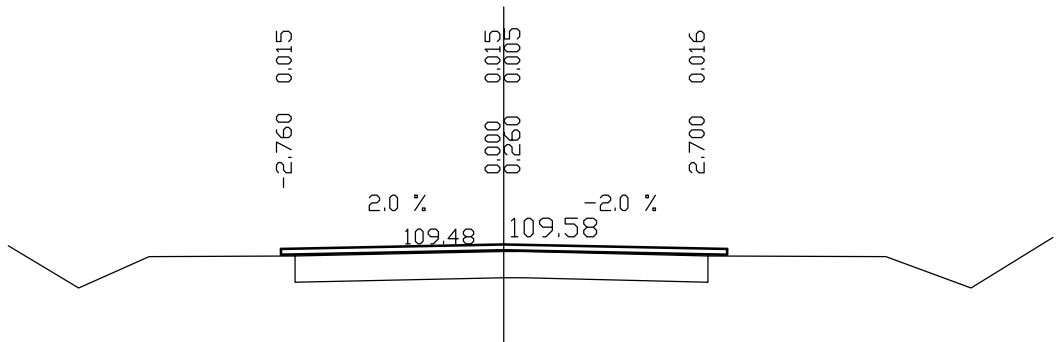
19469.60 PL=0.16 PP=0.24 W=0.1634 F=0.0000



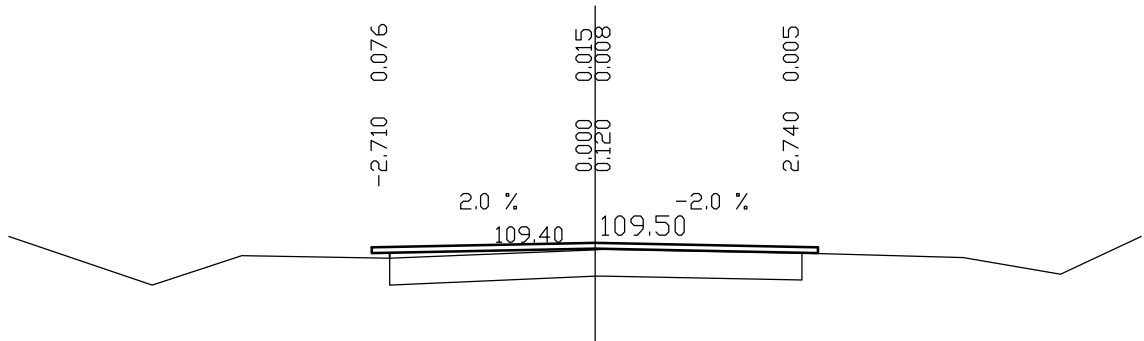
19525.90 PL=0.18 PP=0.18 W=0.0484 F=0.0000



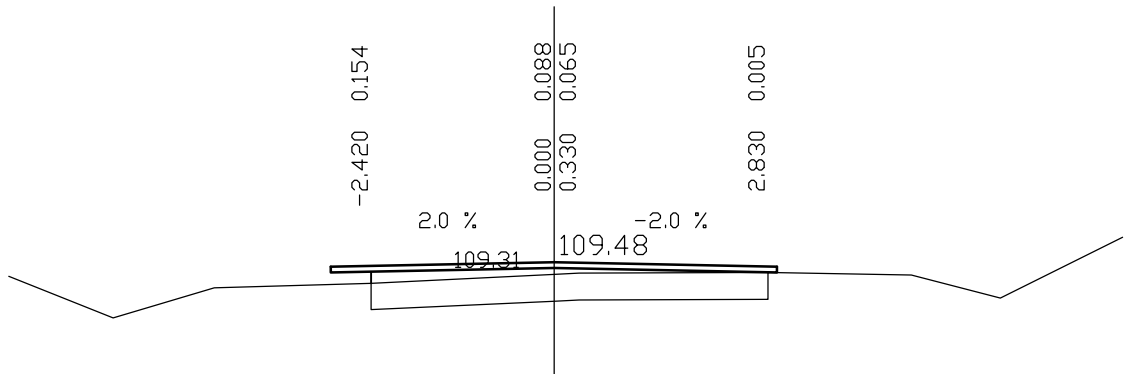
19571.70 PL=0.19 PP=0.25 W=0.0696 F=0.0000



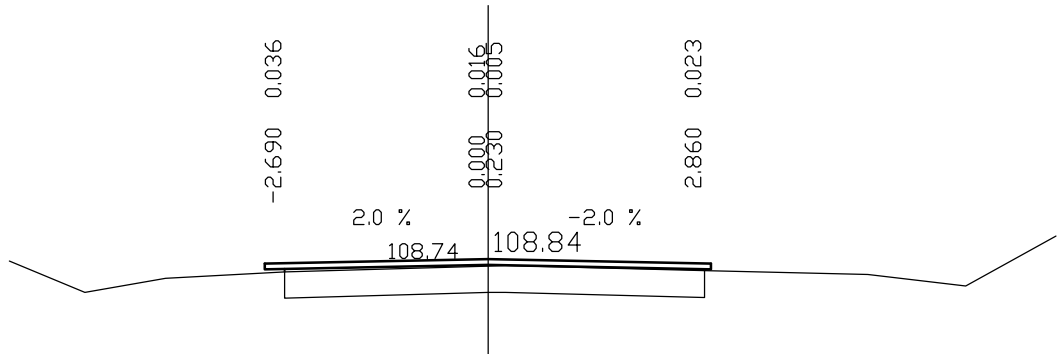
19611.30 PL=0.24 PP=0.21 W=0.1417 F=0.0000



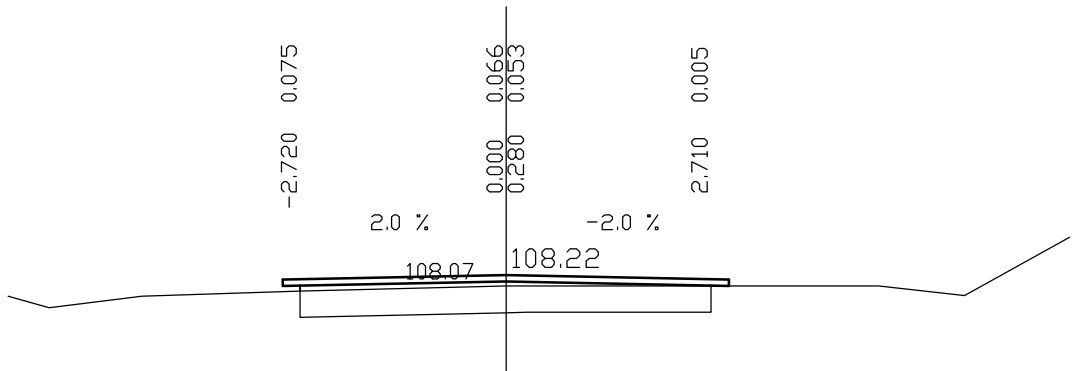
19650.30 PL=0.53 PP=0.12 W=0.4082 F=0.0000



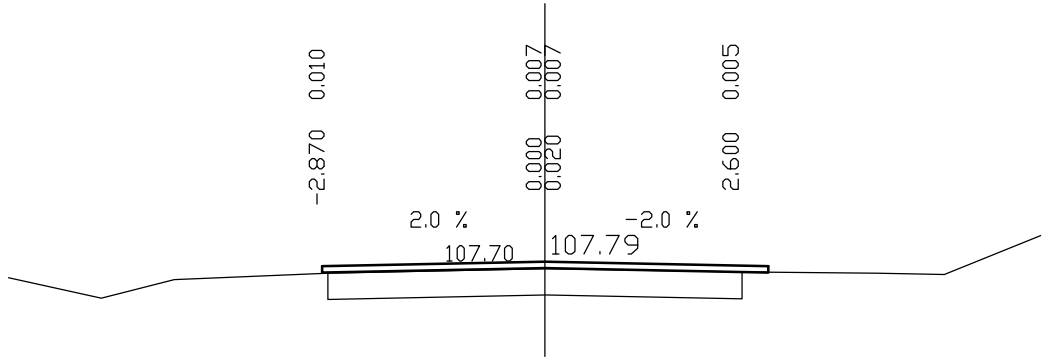
19694.60 PL=0.26 PP=0.09 W=0.1092 F=0.0000



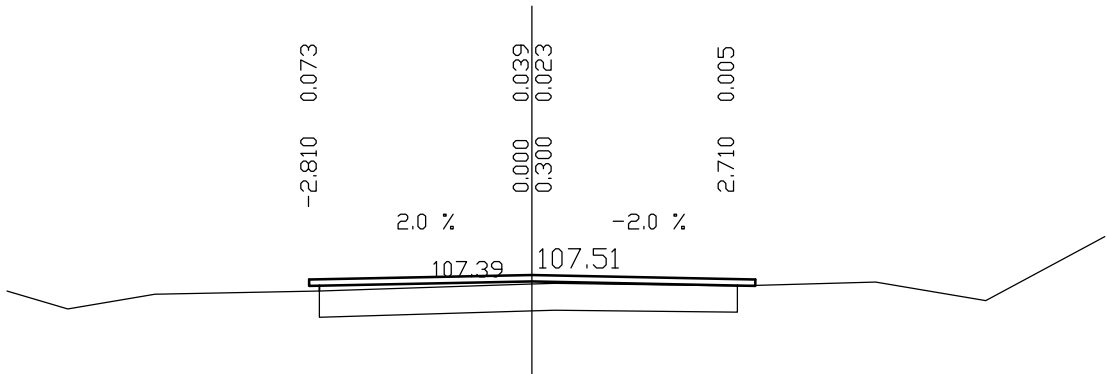
19746.10 PL=0.23 PP=0.24 W=0.2790 F=0.0000



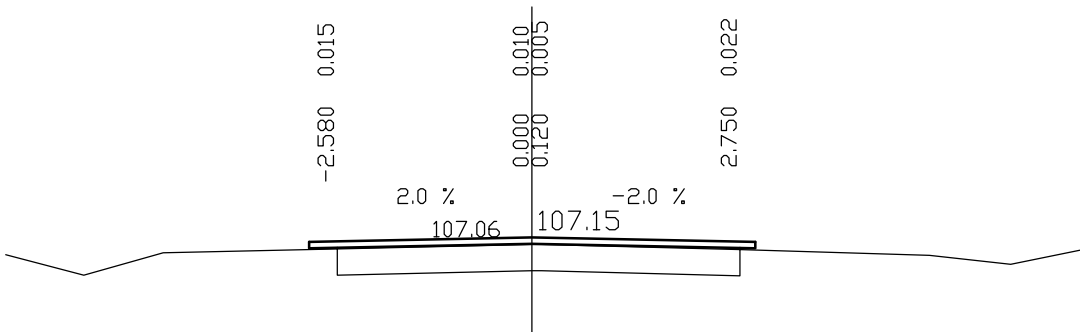
19792.60 PL=0.08 PP=0.35 W=0.0415 F=0.0000



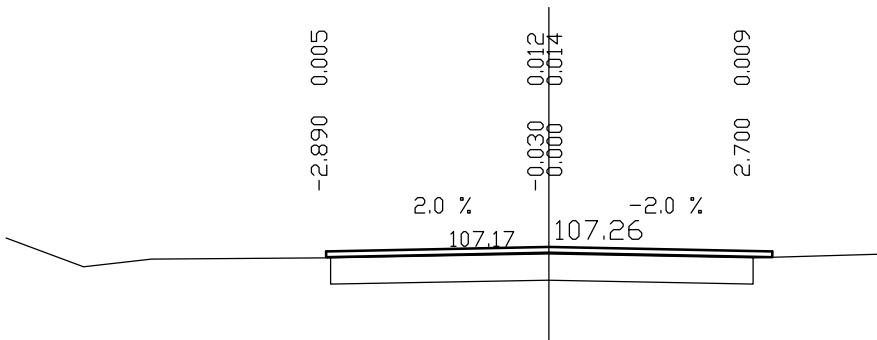
19848.30 PL=0.14 PP=0.24 W=0.2005 F=0.0000



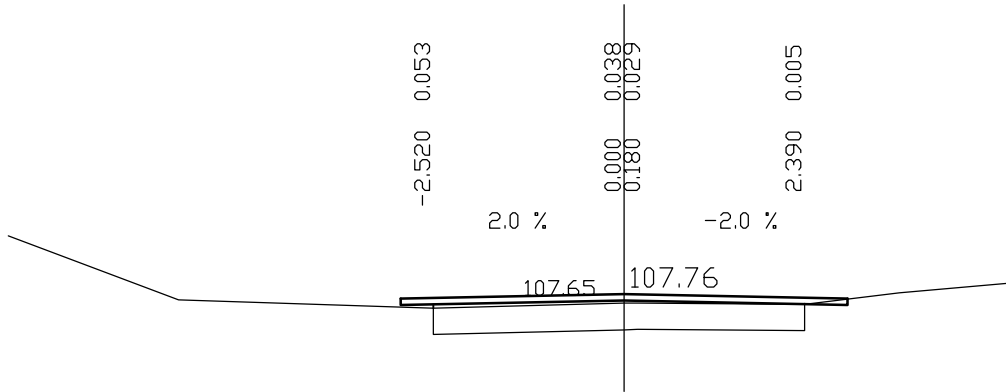
19896.00 PL=0.37 PP=0.20 W=0.0699 F=0.0000



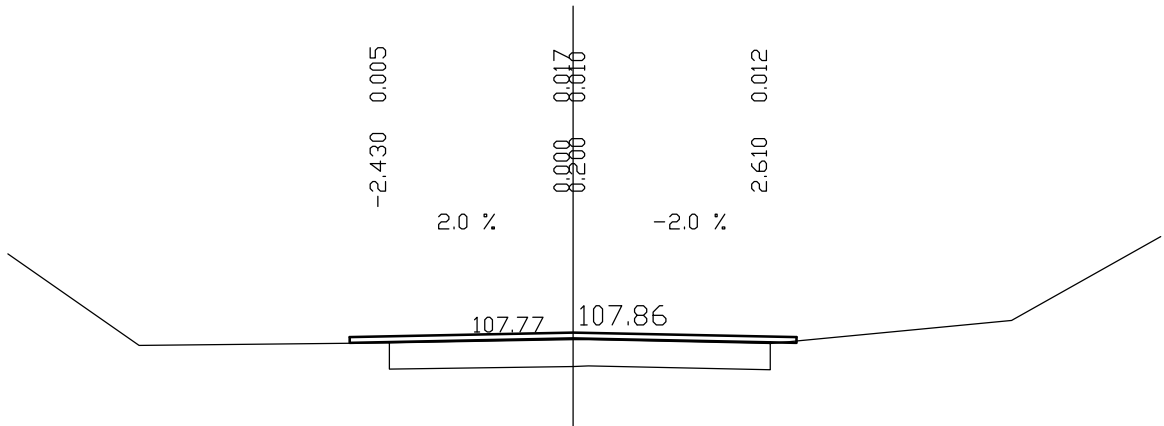
19947.00 PL=0.06 PP=0.25 W=0.0558 F=0.0000



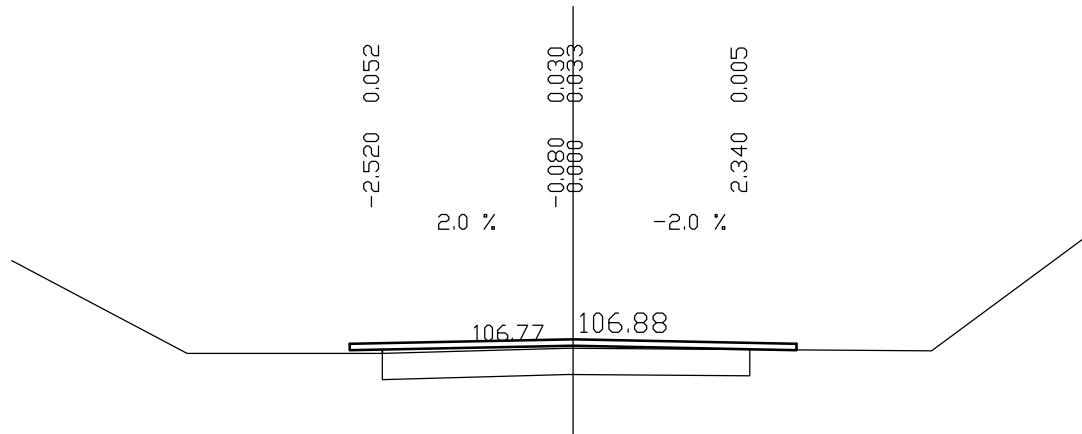
19994.00 PL=0.43 PP=0.56 W=0.1583 F=0.0000



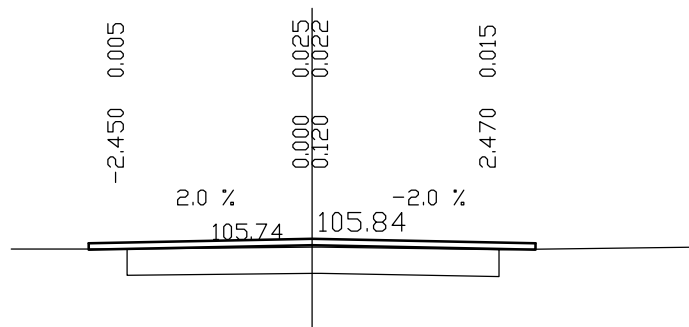
20034.80 PL=0.52 PP=0.34 W=0.0559 F=0.0000



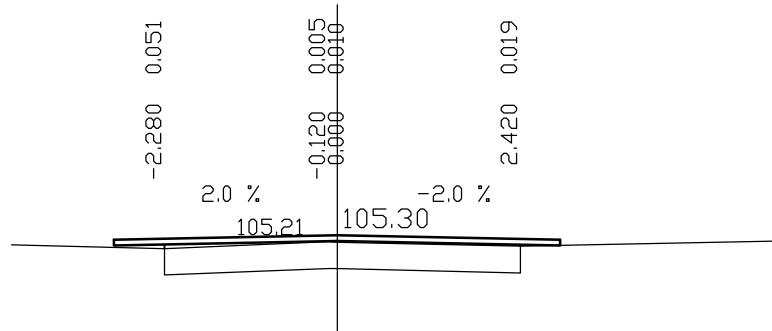
20093.90 PL=0.43 PP=0.61 W=0.1484 F=0.0000



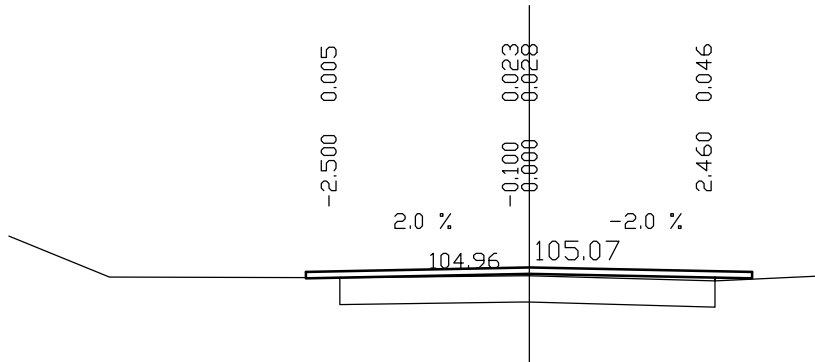
20147.30 PL=0.50 PP=0.48 W=0.0844 F=0.0000



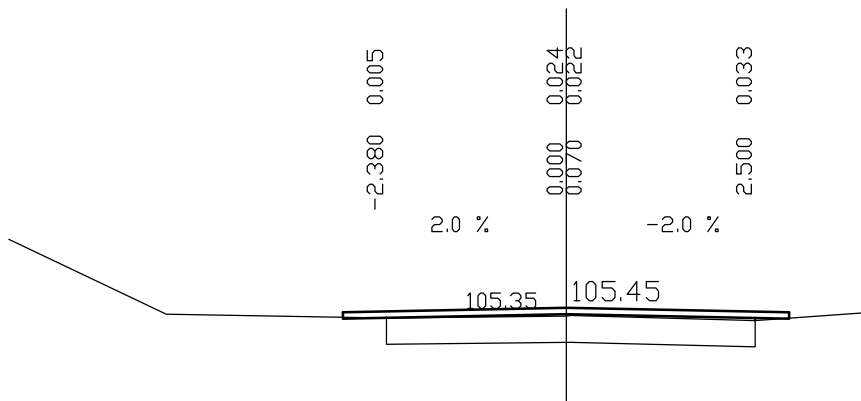
20179.20 PL=0.67 PP=0.53 W=0.0965 F=0.0000



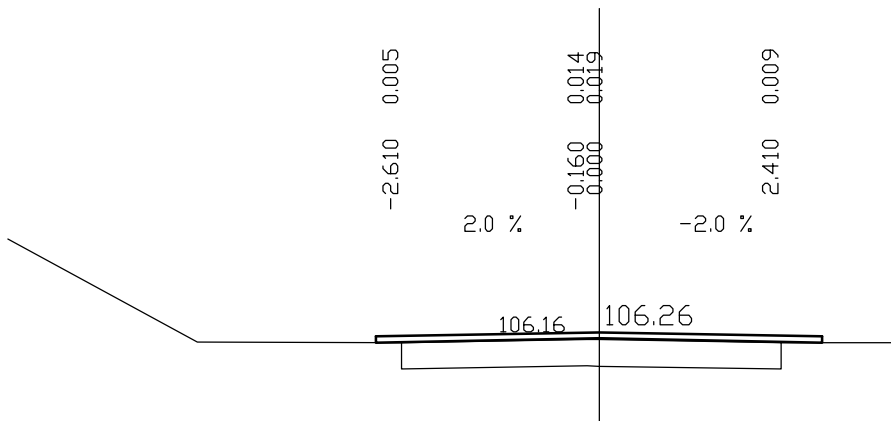
20238.10 PL=0.45 PP=0.49 W=0.1272 F=0.0000



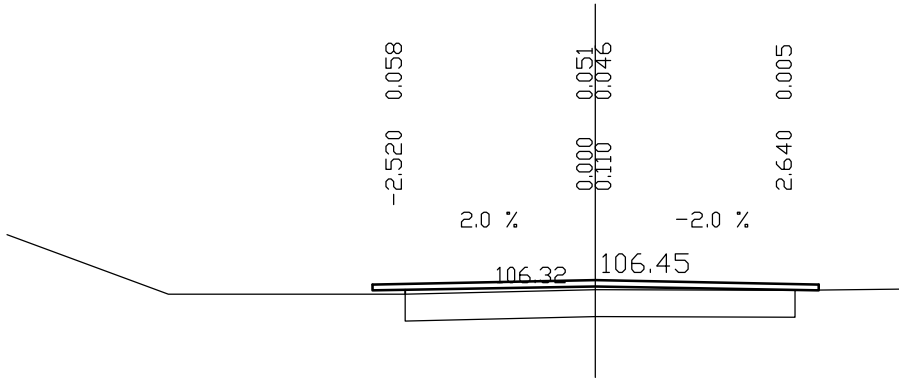
20284.00 PL=0.57 PP=0.45 W=0.1041 F=0.0000



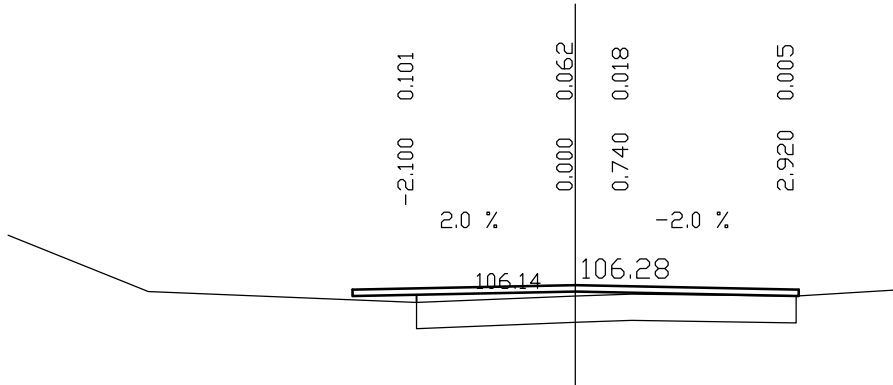
20334.90 PL=0.34 PP=0.54 W=0.0610 F=0.0000



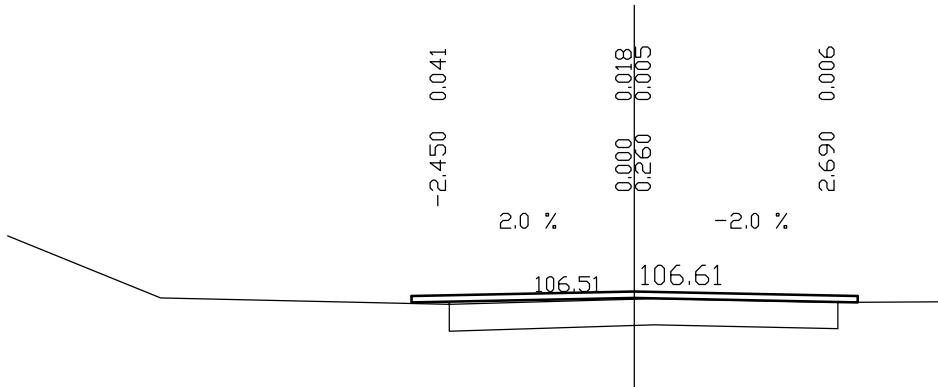
20382.50 PL=0.43 PP=0.31 W=0.2071 F=0.0000



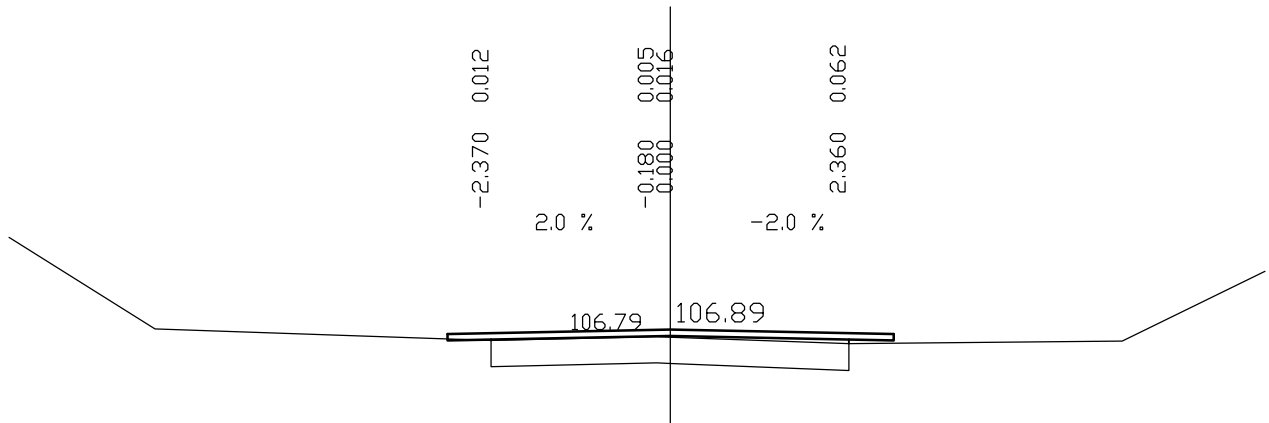
20439.70 PL=0.85 PP=0.03 W=0.2259 F=0.0000



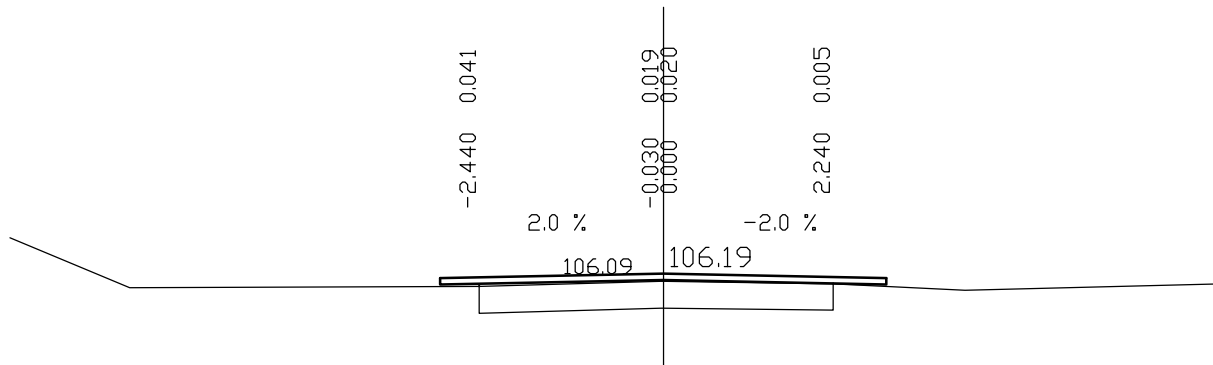
20491.00 PL=0.50 PP=0.26 W=0.0887 F=0.0000



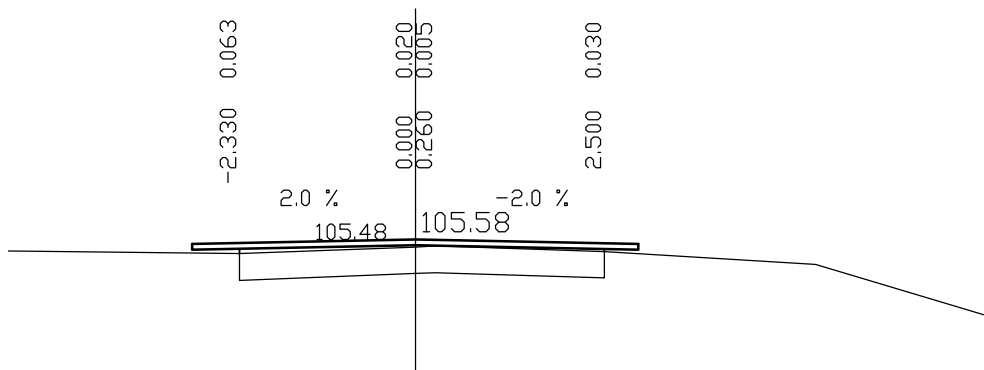
20541.10 PL=0.58 PP=0.59 W=0.1125 F=0.0000



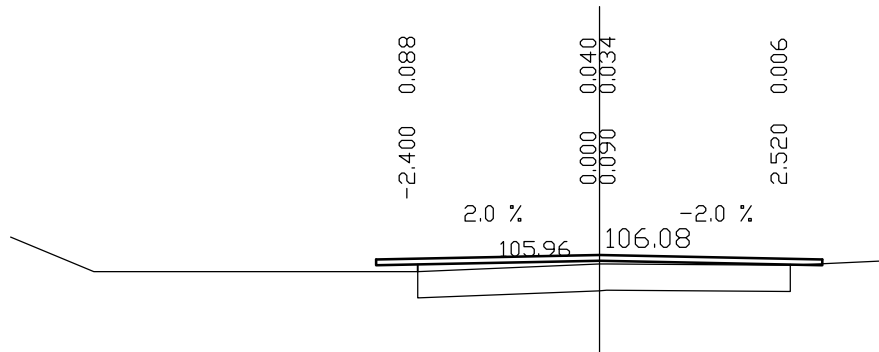
20584.40 PL=0.51 PP=0.71 W=0.1032 F=0.0000



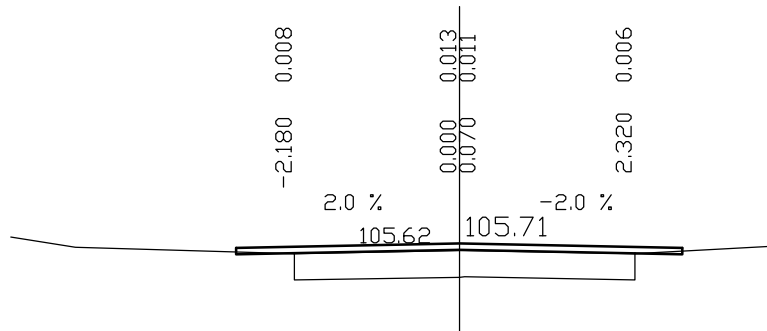
20637.10 PL=0.62 PP=0.45 W=0.1404 F=0.0000



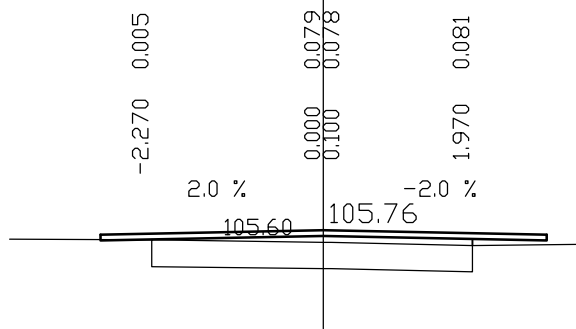
20692.90 PL=0.55 PP=0.43 W=0.2055 F=0.0000



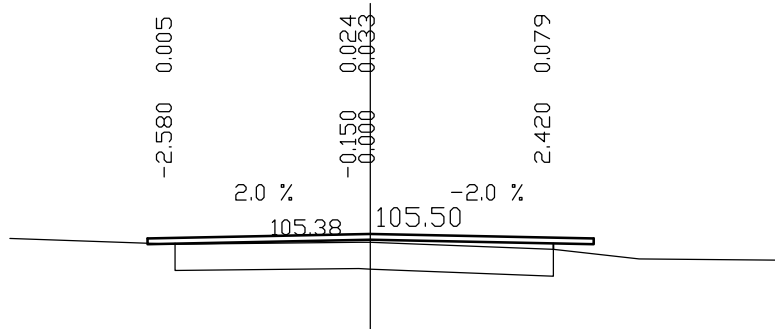
20747.80 PL=0.77 PP=0.63 W=0.0429 F=0.0000



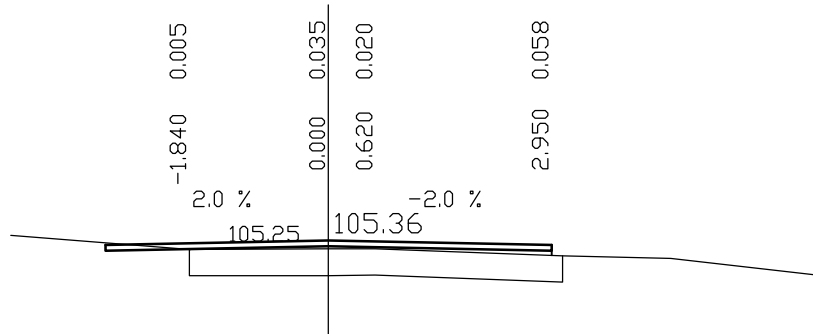
20796.30 PL=0.68 PP=0.98 W=0.2519 F=0.0000



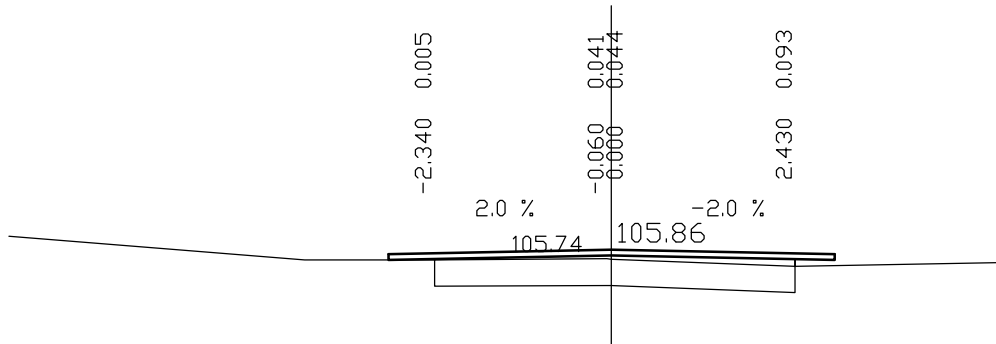
20855.50 PL=0.37 PP=0.53 W=0.1763 F=0.0000



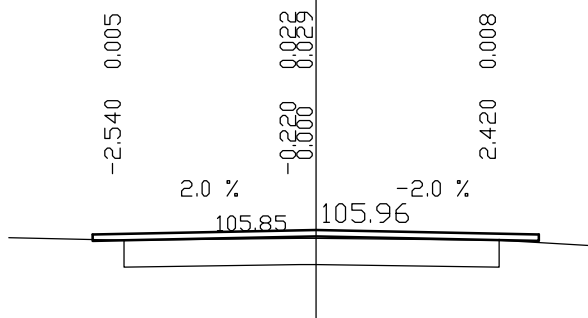
20876.60 PL=1.11 PP=0.00 W=0.1448 F=0.0000



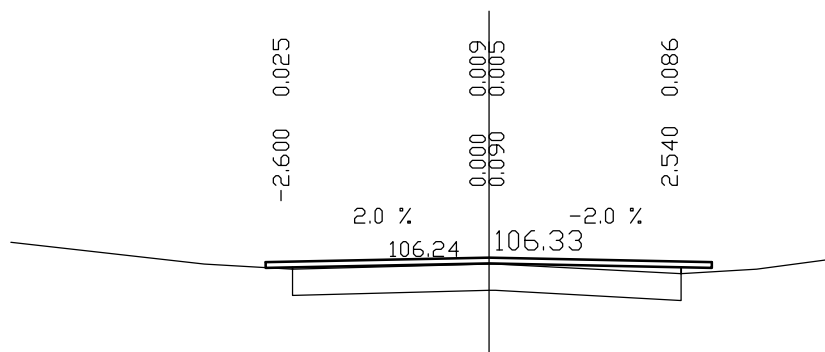
20940.10 PL=0.61 PP=0.52 W=0.2239 F=0.0000



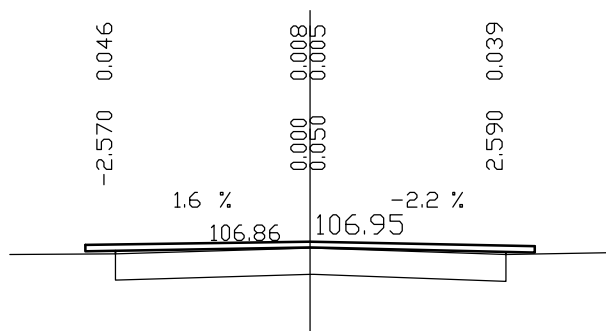
20979.70 PL=0.41 PP=0.53 W=0.0817 F=0.0000



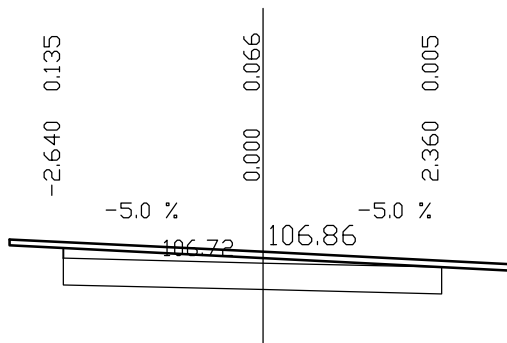
21018.90 PL=0.35 PP=0.41 W=0.1563 F=0.0000



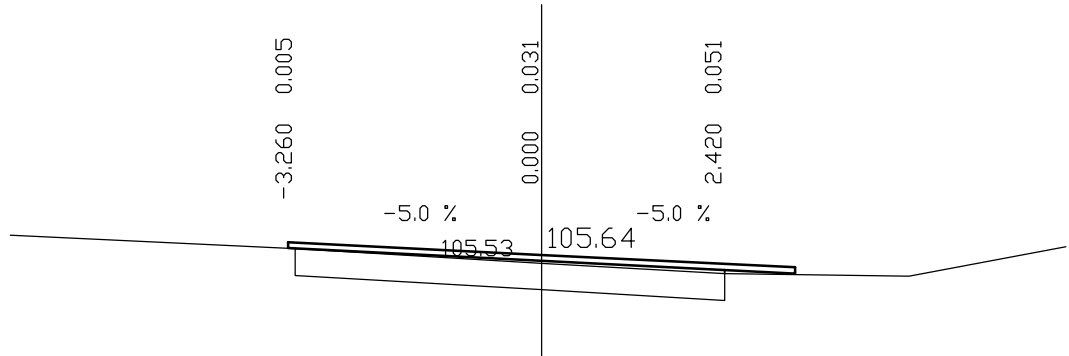
21061.10 PL=0.40 PP=0.38 W=0.1269 F=0.0000



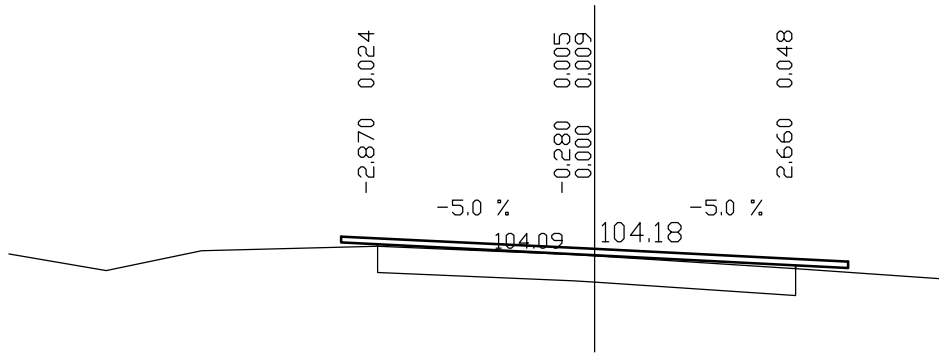
21087.50 PL=0.71 PP=0.99 W=0.3491 F=0.0000



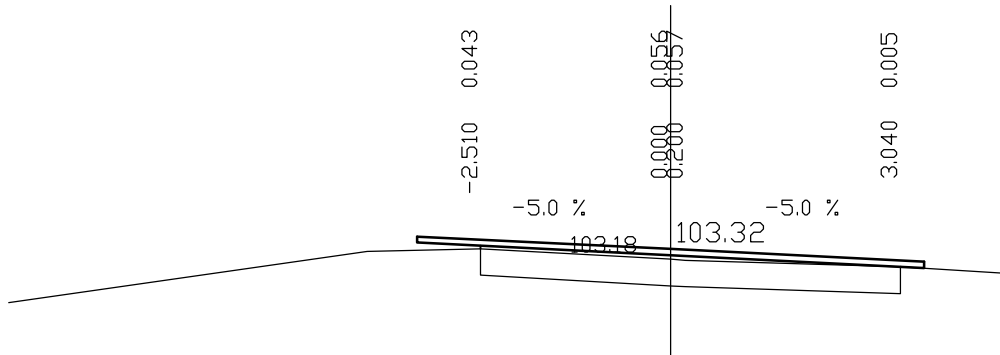
21117.00 PL=0.09 PP=0.93 W=0.1579 F=0.0000



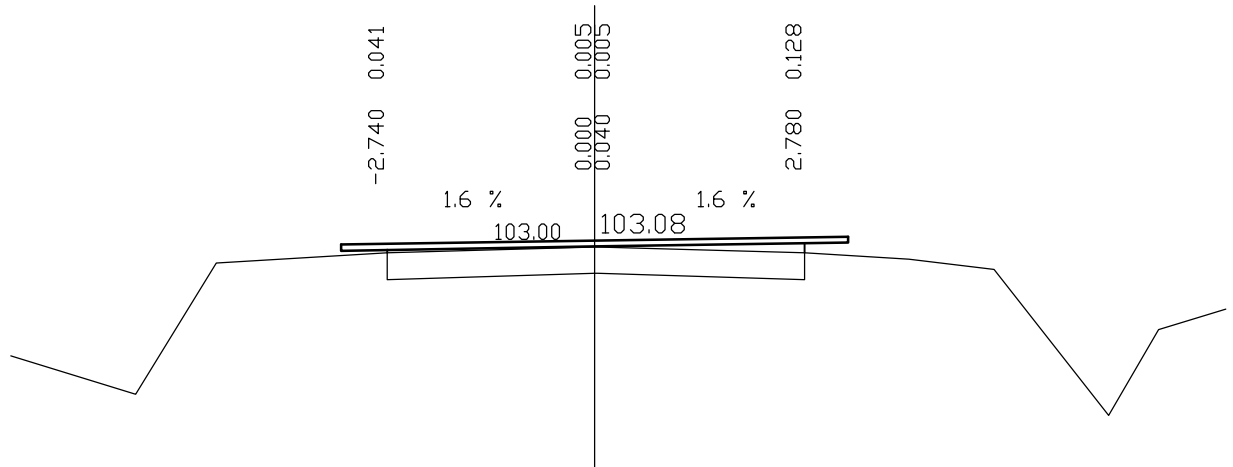
21165.40 PL=0.48 PP=0.69 W=0.1167 F=0.0000



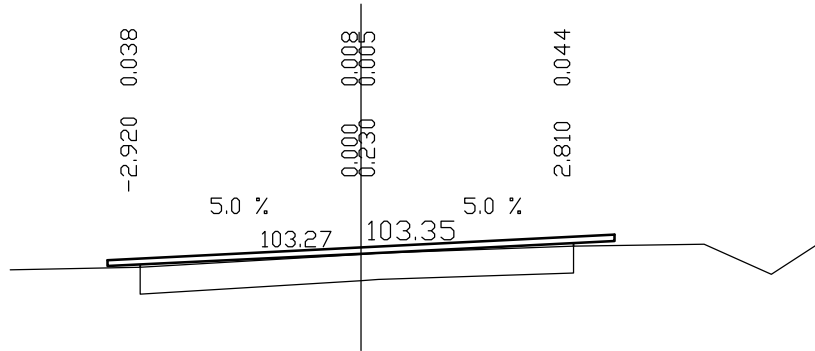
21212.90 PL=0.84 PP=0.31 W=0.2236 F=0.0000



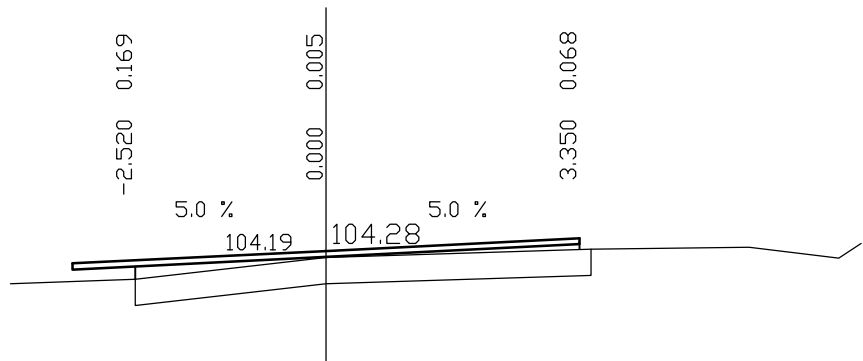
21244.50 PL=0.61 PP=0.57 W=0.2454 F=0.0000



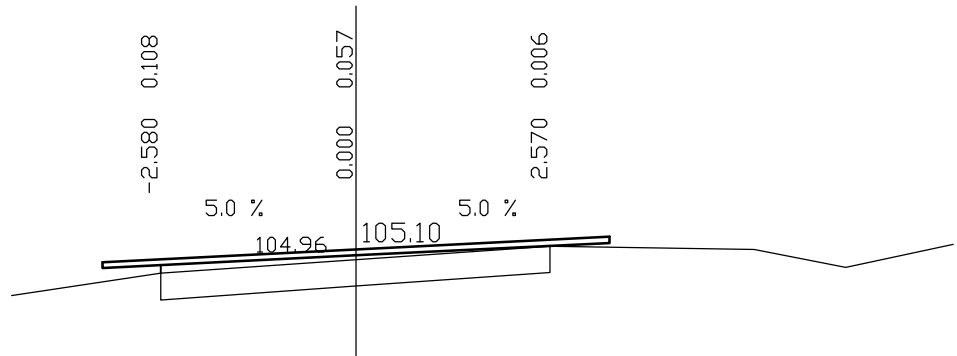
21286.30 PL=0.43 PP=0.54 W=0.1346 F=0.0000



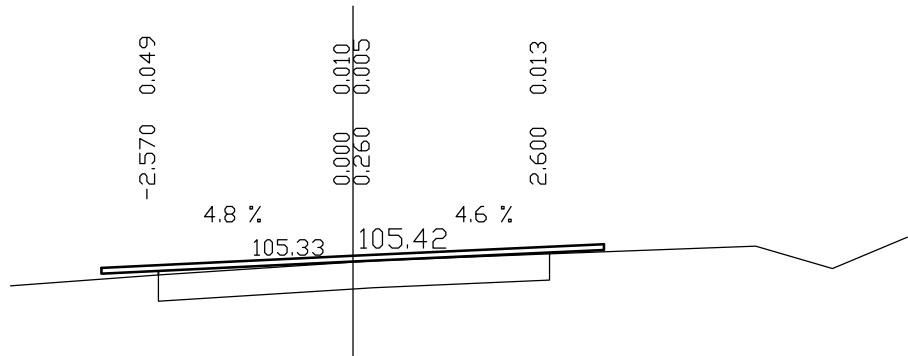
21317.70 PL=0.83 PP=0.00 W=0.3415 F=0.0000



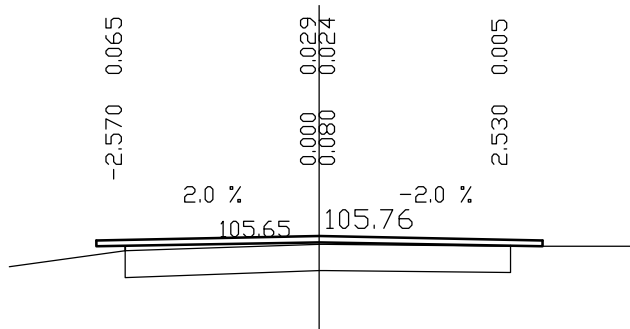
21343.60 PL=0.77 PP=0.78 W=0.2939 F=0.0000



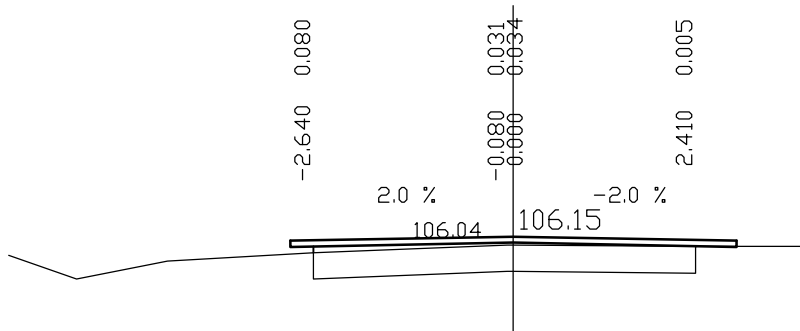
21364.70 PL=0.76 PP=0.73 W=0.0989 F=0.0000



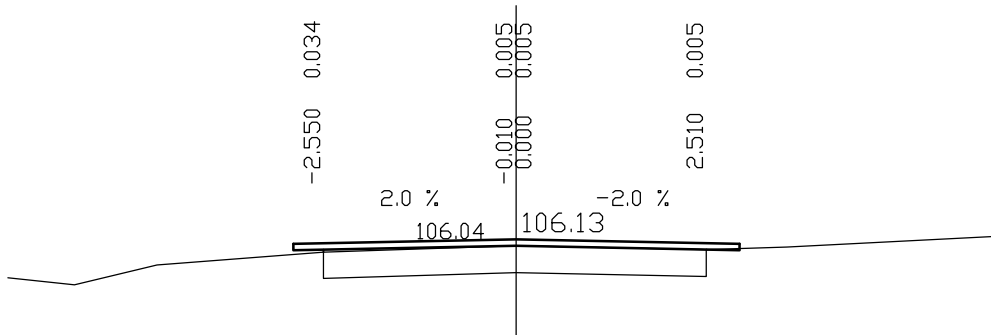
21413.10 PL=0.38 PP=0.42 W=0.1584 F=0.0000



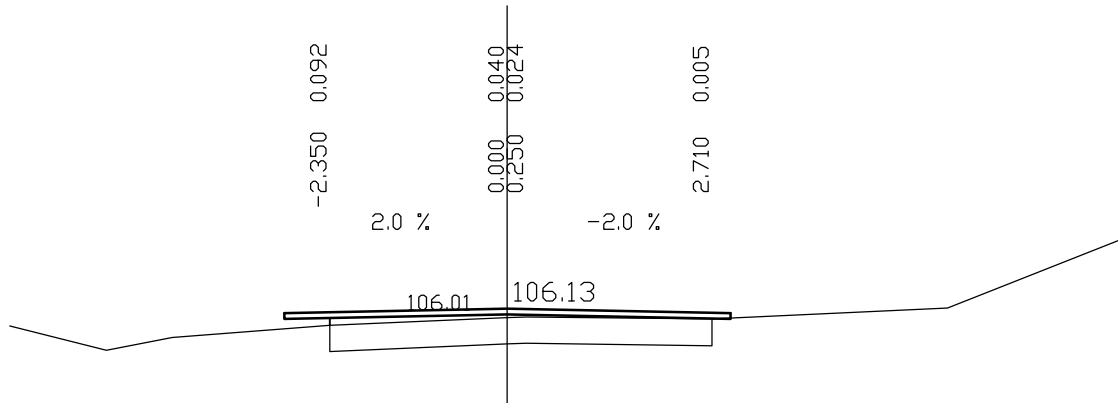
21463.90 PL=0.31 PP=0.54 W=0.1917 F=0.0000



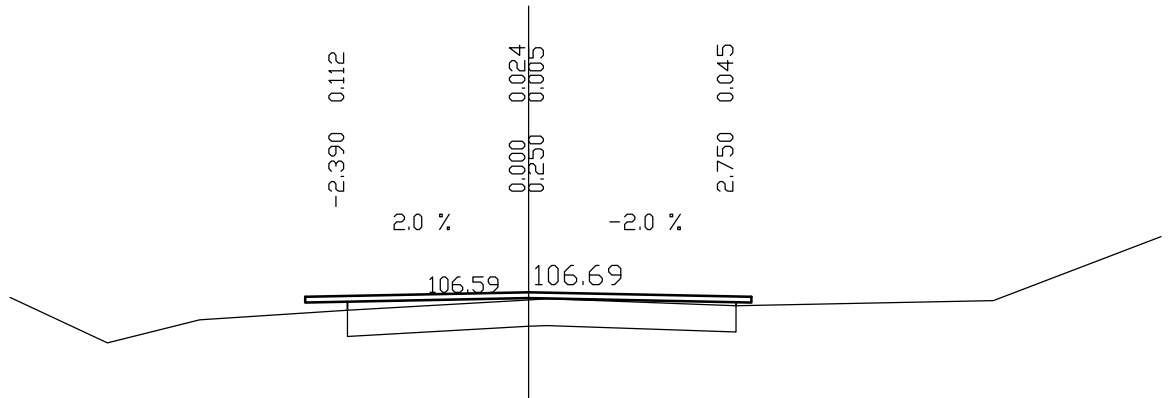
21506.10 PL=0.40 PP=0.44 W=0.0622 F=0.0000



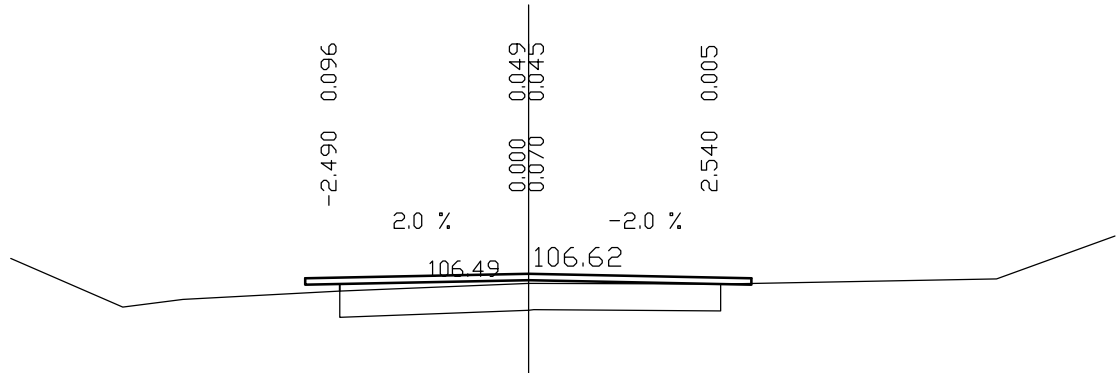
21553.80 PL=0.60 PP=0.24 W=0.1988 F=0.0000



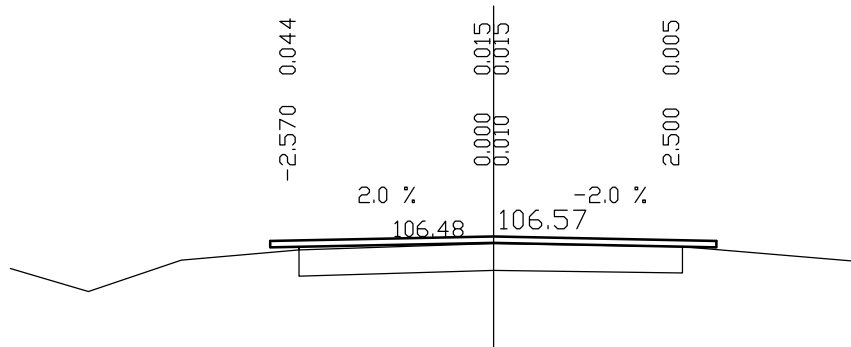
21616.60 PL=0.56 PP=0.20 W=0.2286 F=0.0000



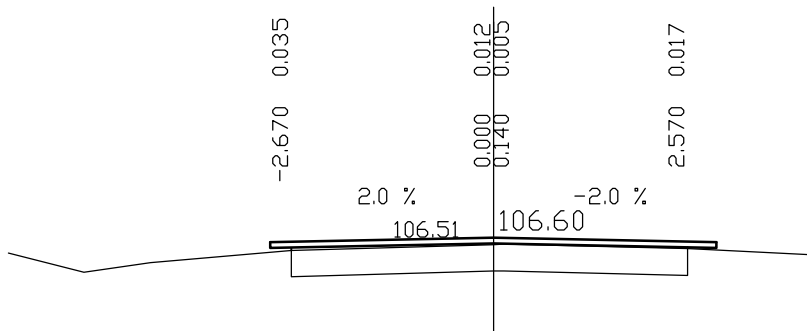
21665.90 PL=0.46 PP=0.41 W=0.2456 F=0.0000



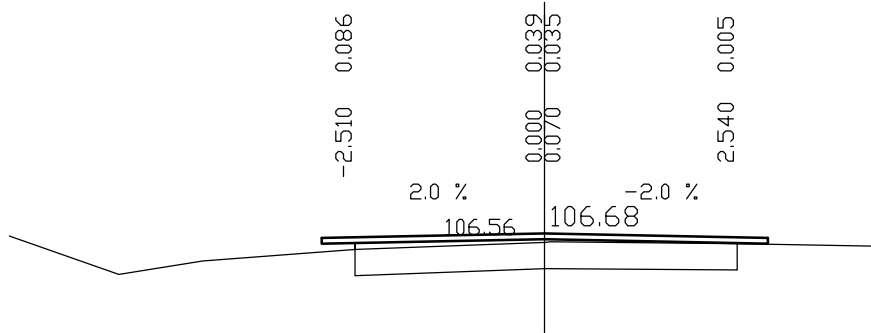
21720.80 PL=0.38 PP=0.45 W=0.1009 F=0.0000



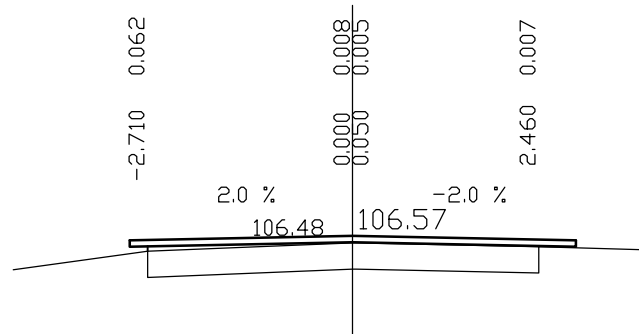
21769.40 PL=0.28 PP=0.38 W=0.0907 F=0.0000



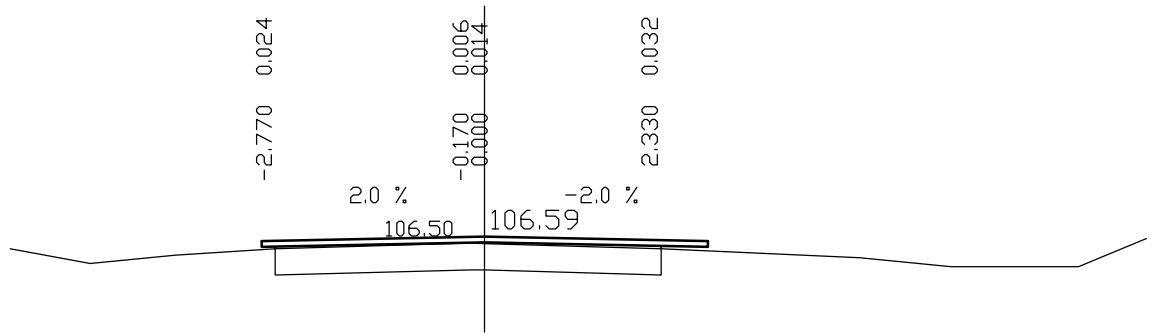
21816.90 PL=0.44 PP=0.41 W=0.2089 F=0.0000



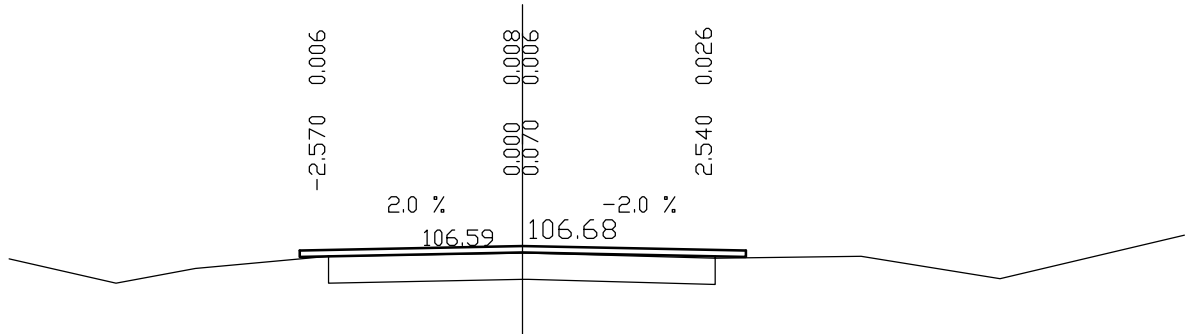
21866.10 PL=0.24 PP=0.49 W=0.1097 F=0.0000



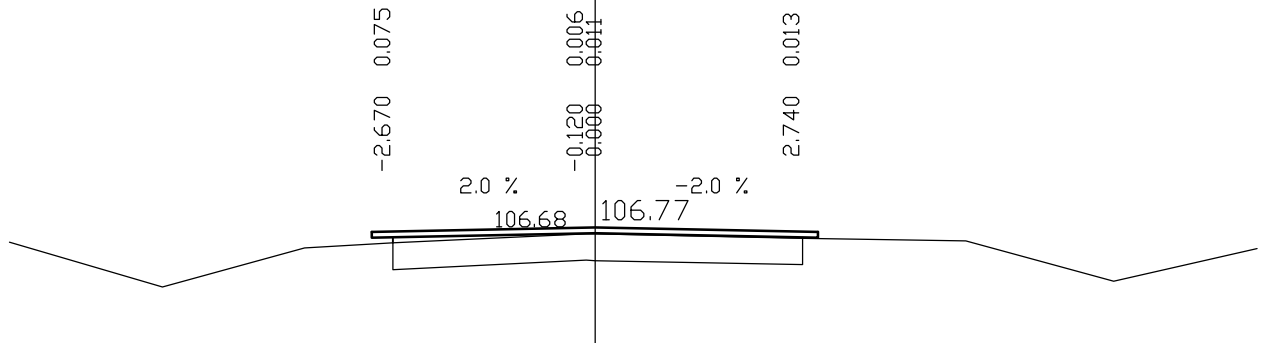
21922.30 PL=0.18 PP=0.62 W=0.0943 F=0.0000



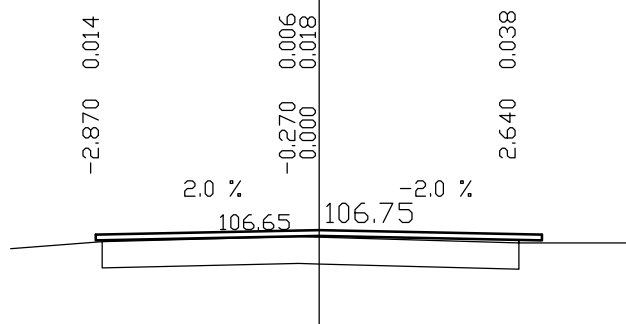
21966.70 PL=0.38 PP=0.41 W=0.0580 F=0.0000



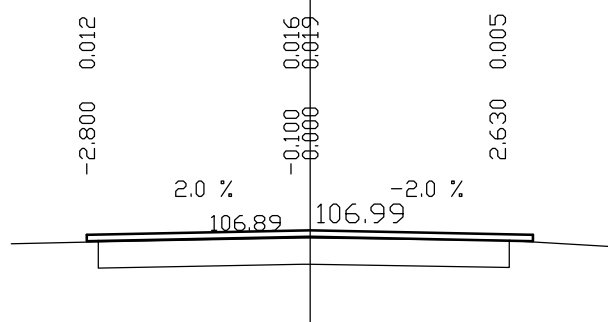
22014.00 PL=0.28 PP=0.21 W=0.1372 F=0.0000



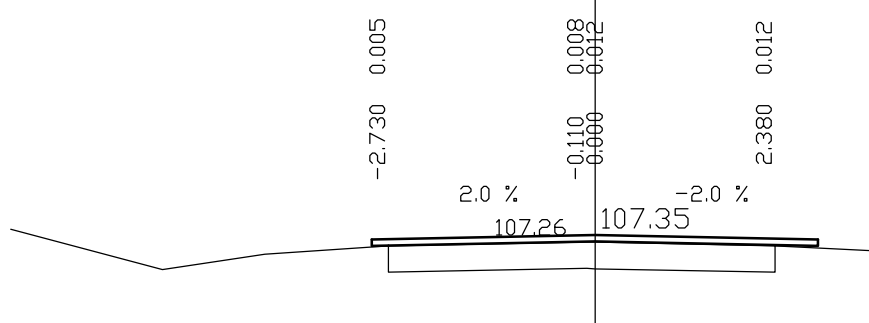
22057.70 PL=0.08 PP=0.31 W=0.1047 F=0.0000



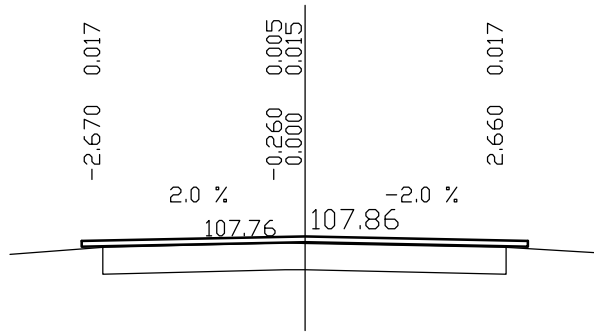
22103.30 PL=0.15 PP=0.32 W=0.0738 F=0.0000



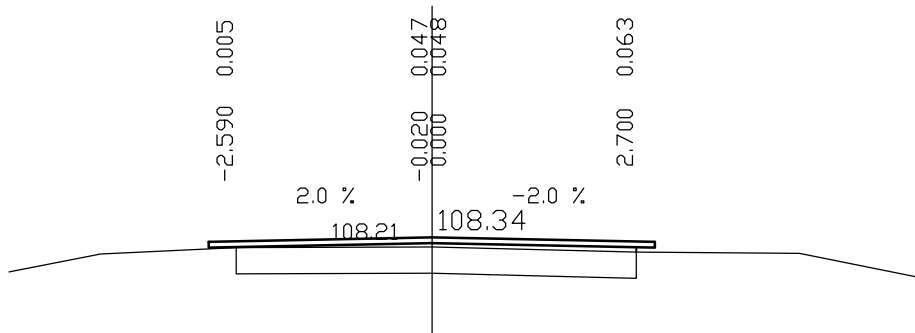
22145.80 PL=0.22 PP=0.57 W=0.0481 F=0.0000



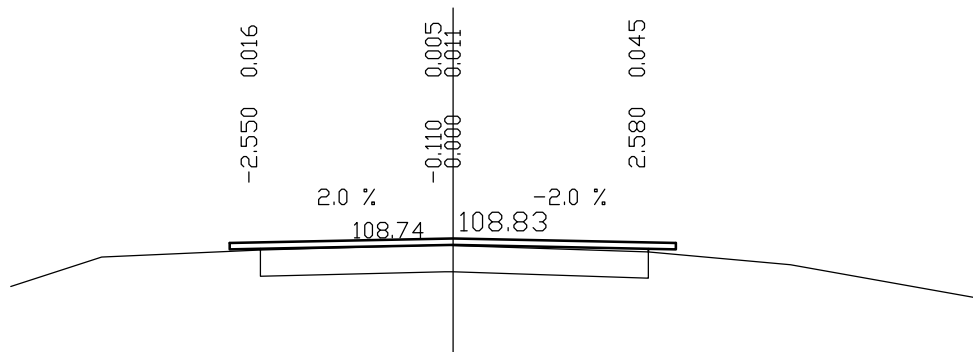
22194.00 PL=0.28 PP=0.29 W=0.0717 F=0.0000



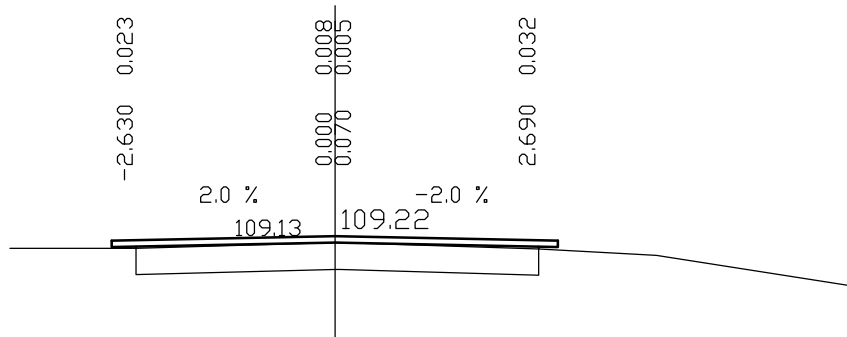
22237.00 PL=0.36 PP=0.25 W=0.2177 F=0.0000



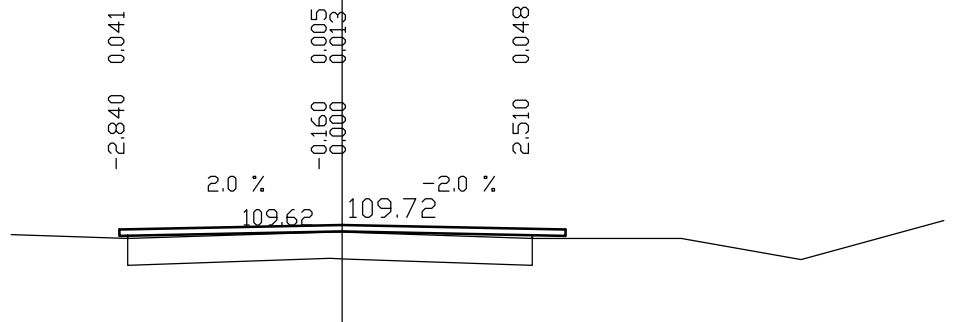
22287.80 PL=0.40 PP=0.37 W=0.1000 F=0.0000



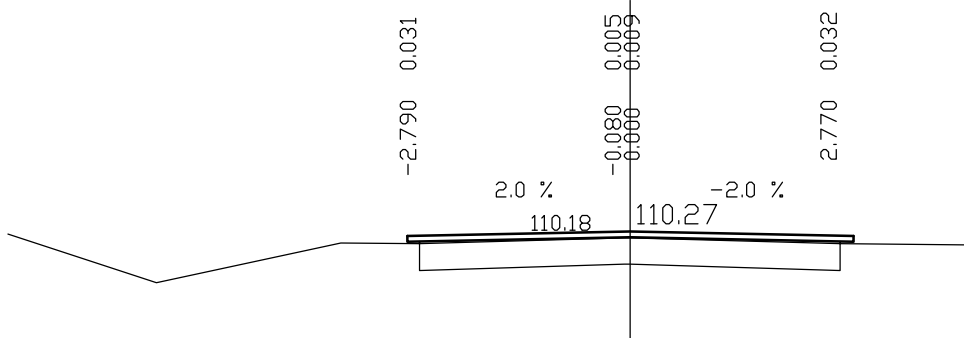
22334.20 PL=0.32 PP=0.26 W=0.0911 F=0.0000



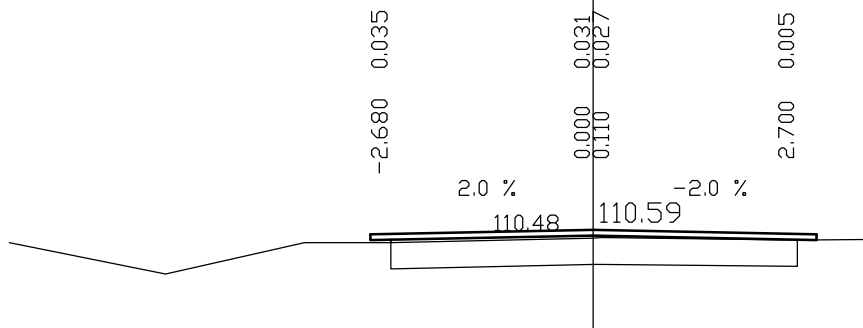
22385.40 PL=0.11 PP=0.44 W=0.1396 F=0.0000



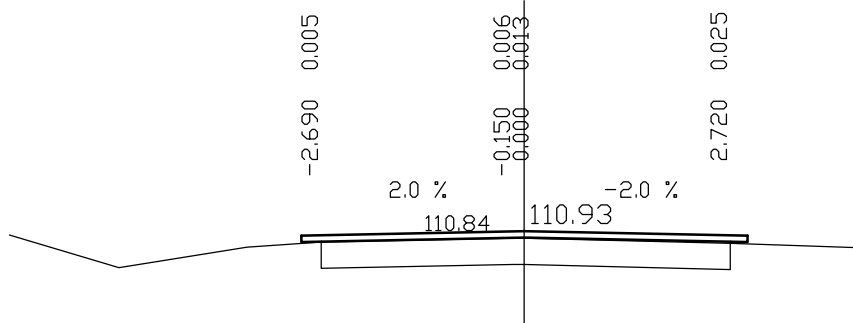
22439.80 PL=0.16 PP=0.18 W=0.1062 F=0.0000



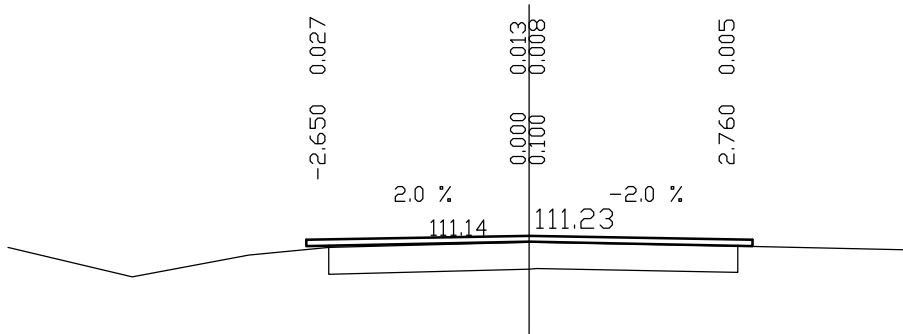
22478.60 PL=0.27 PP=0.25 W=0.1345 F=0.0000



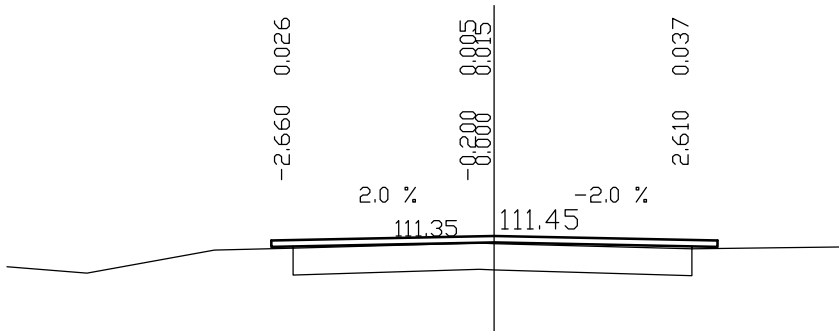
22526.80 PL=0.26 PP=0.23 W=0.0671 F=0.0000



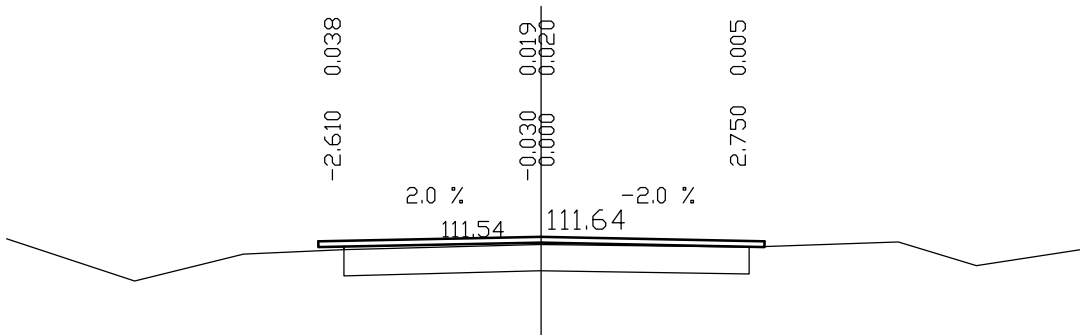
22571.20 PL=0.30 PP=0.19 W=0.0714 F=0.0000



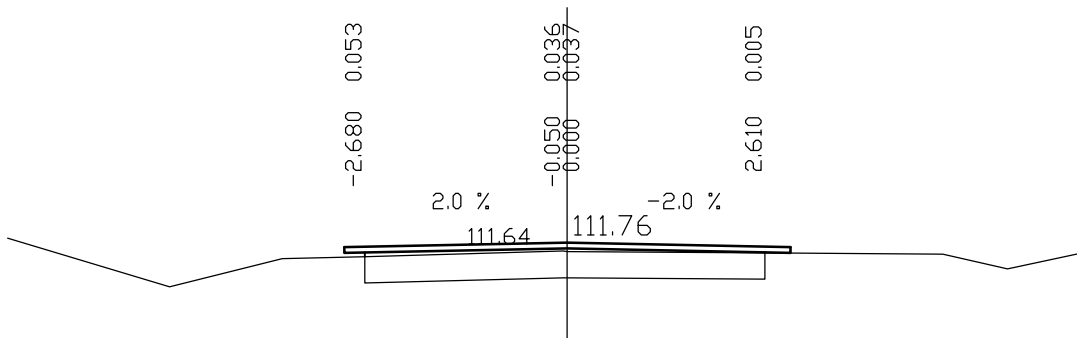
22609.80 PL=0.29 PP=0.34 W=0.1080 F=0.0000



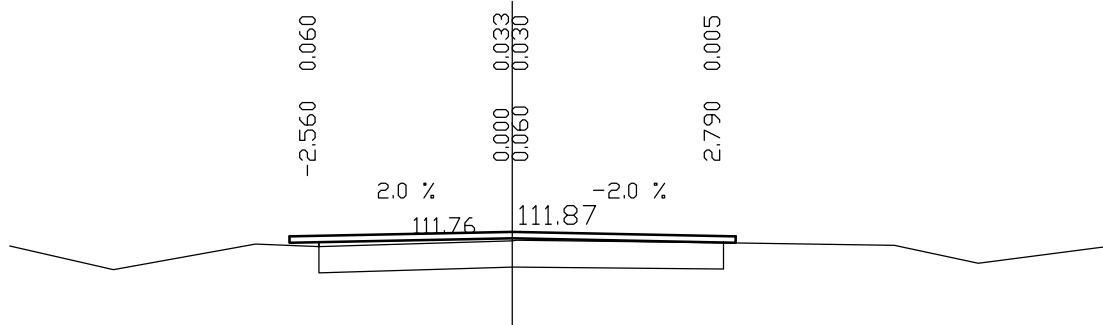
22662.90 PL=0.34 PP=0.20 W=0.1099 F=0.0000



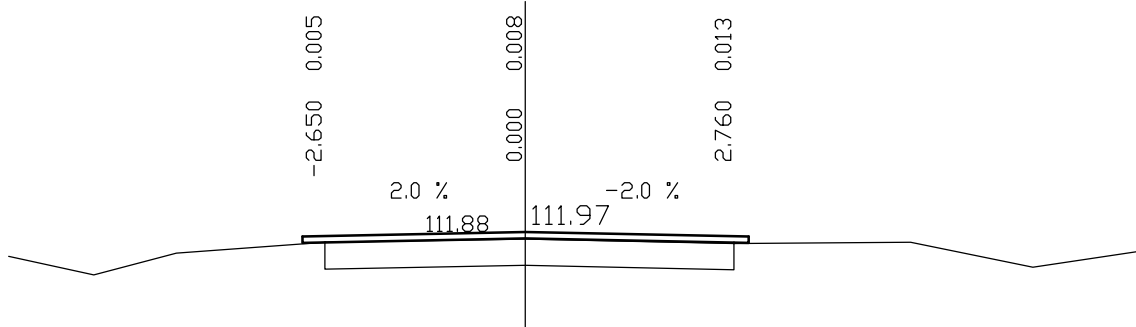
22713.60 PL=0.27 PP=0.34 W=0.1750 F=0.0000



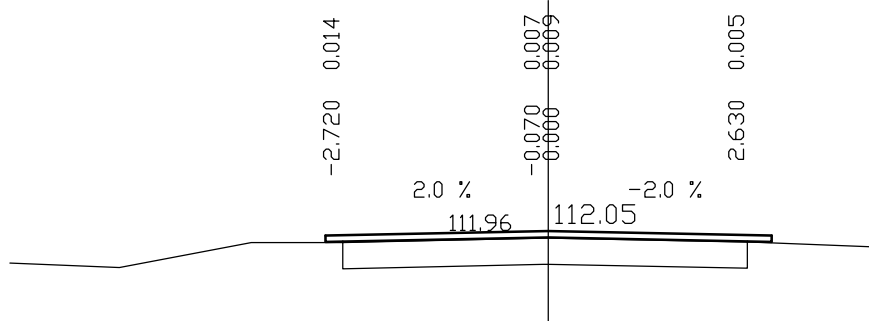
22762.40 PL=0.39 PP=0.16 W=0.1687 F=0.0000



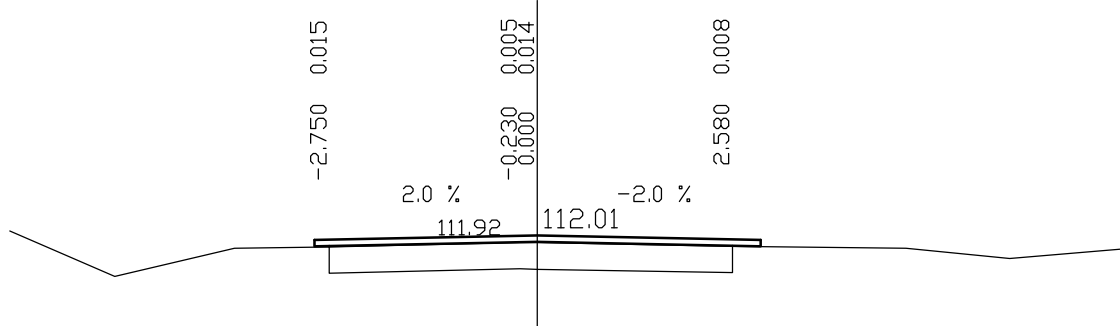
22836.30 PL=0.30 PP=0.19 W=0.0462 F=0.0000



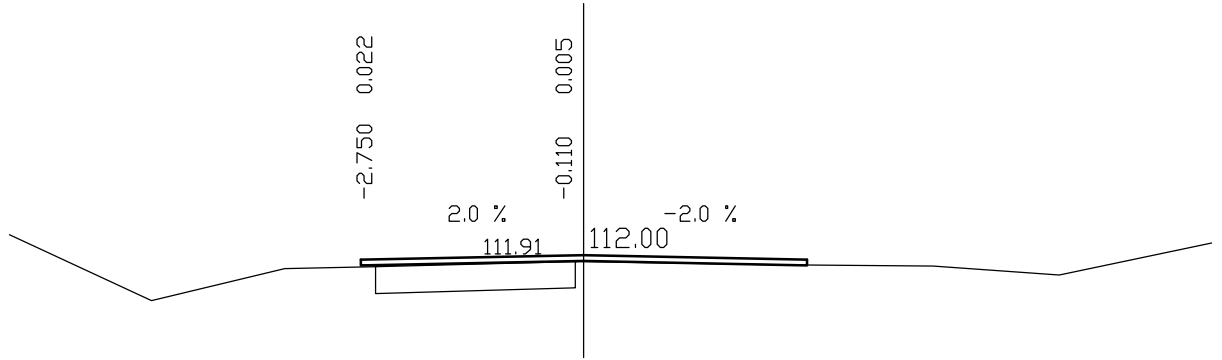
22883.50 PL=0.23 PP=0.32 W=0.0468 F=0.0000



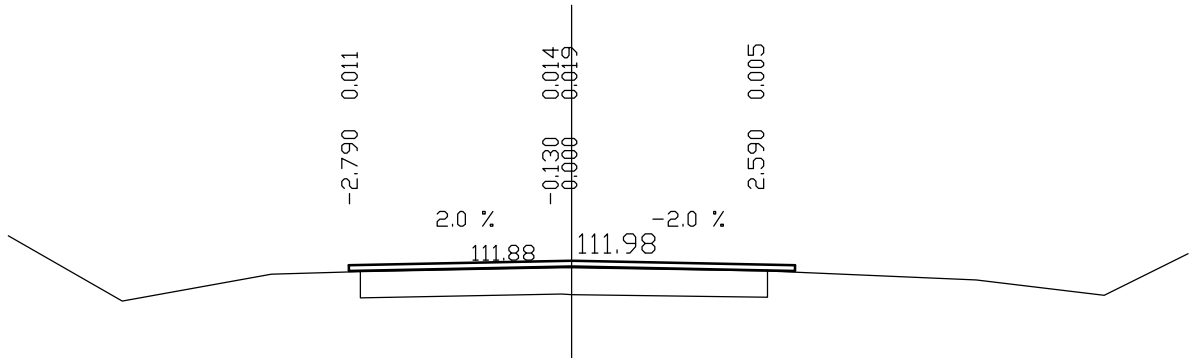
22939.70 PL=0.20 PP=0.37 W=0.0585 F=0.0000



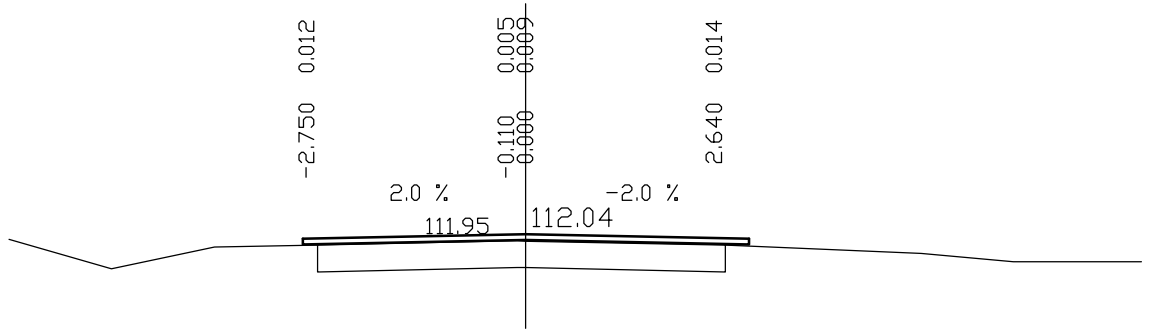
22985.30 PL=0.20 PP=3.06 W=0.0357 F=0.0000



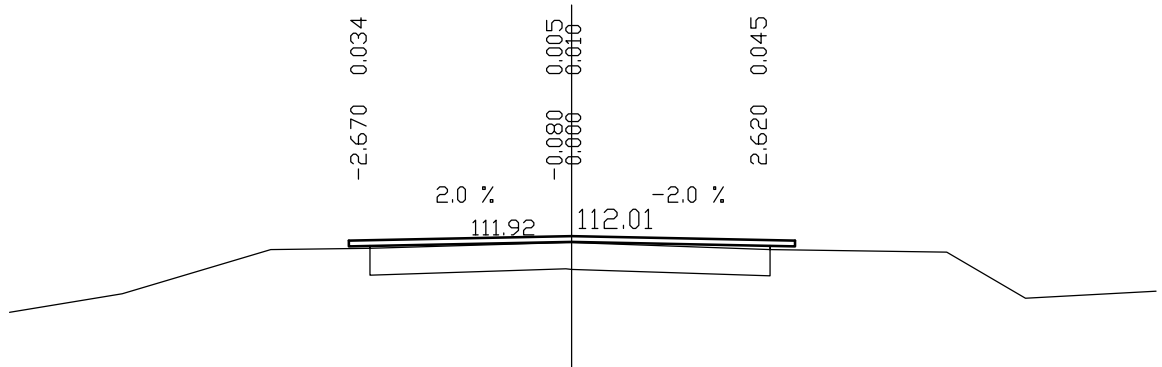
23032.40 PL=0.16 PP=0.36 W=0.0666 F=0.0000



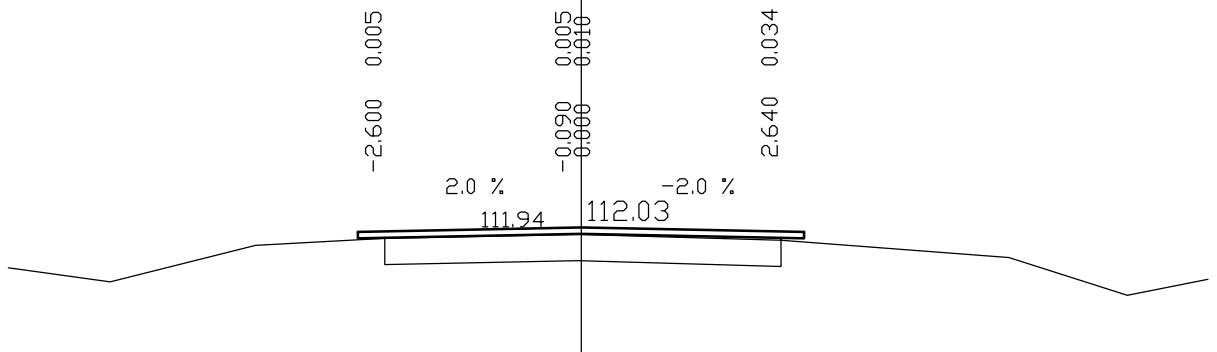
23085.70 PL=0.20 PP=0.31 W=0.0550 F=0.0000



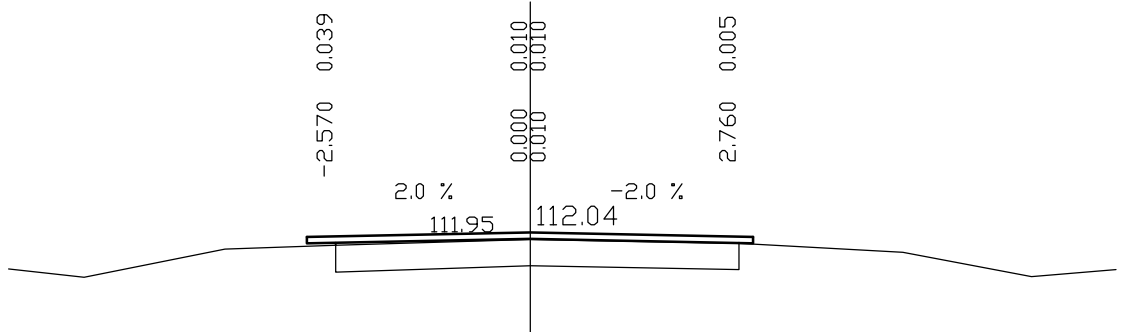
23140.10 PL=0.28 PP=0.33 W=0.1245 F=0.0000



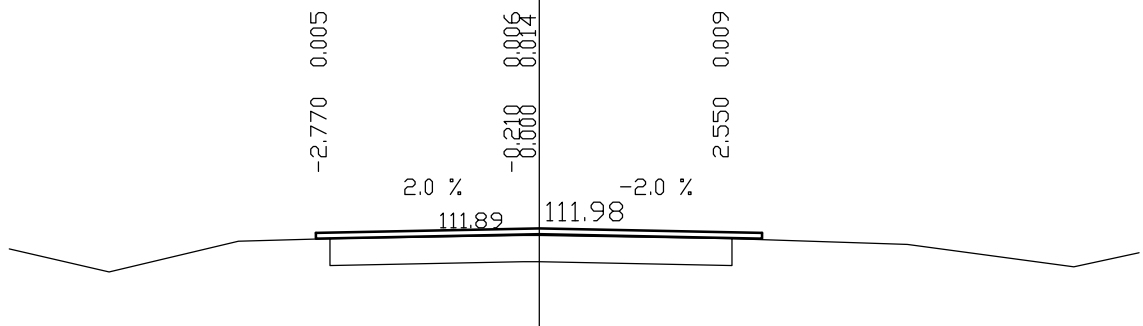
23189.00 PL=0.35 PP=0.31 W=0.0714 F=0.0000



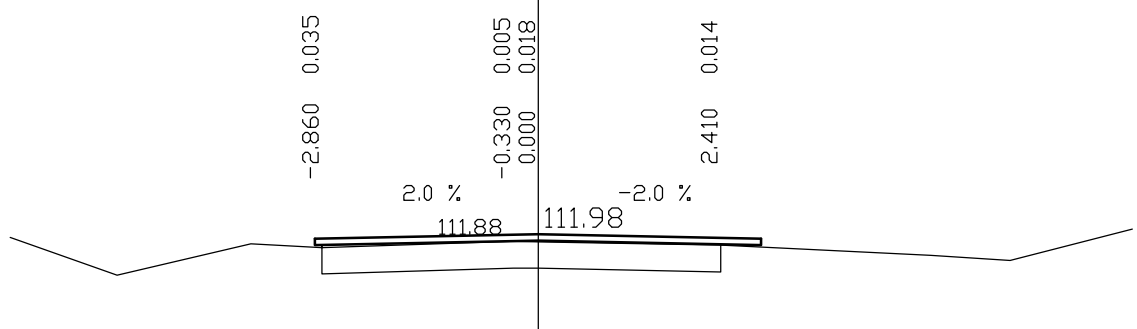
23246.20 PL=0.38 PP=0.19 W=0.0837 F=0.0000



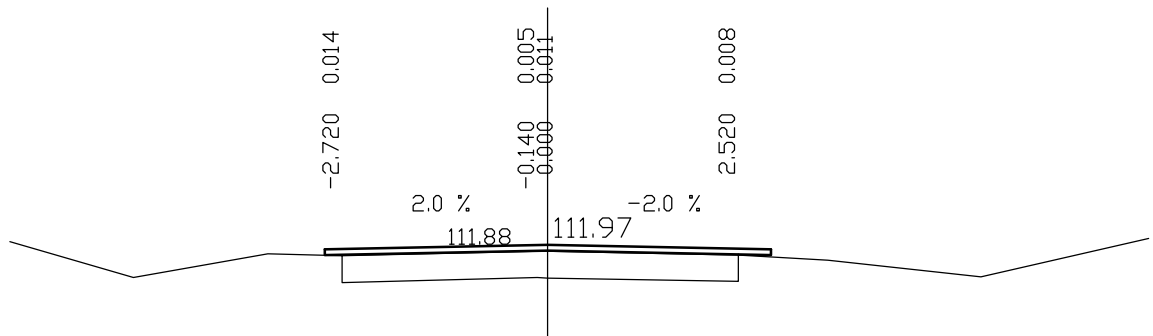
23297.40 PL=0.18 PP=0.40 W=0.0455 F=0.0000



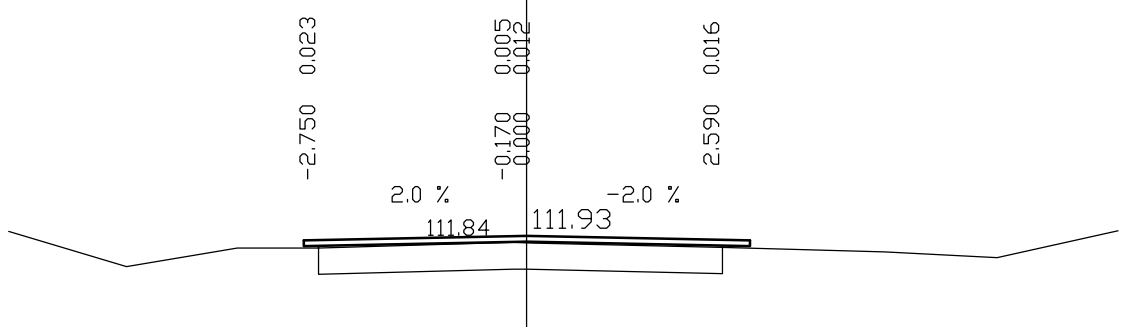
23347.60 PL=0.09 PP=0.54 W=0.0945 F=0.0000



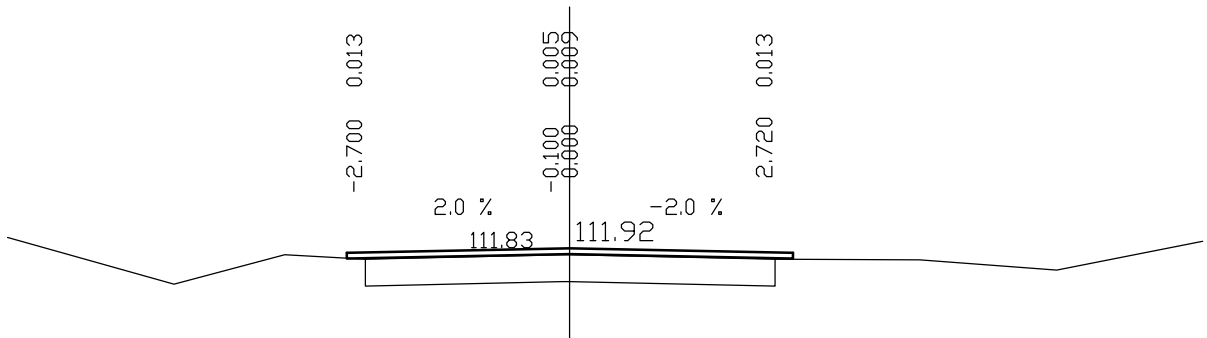
23397.40 PL=0.23 PP=0.43 W=0.0495 F=0.0000



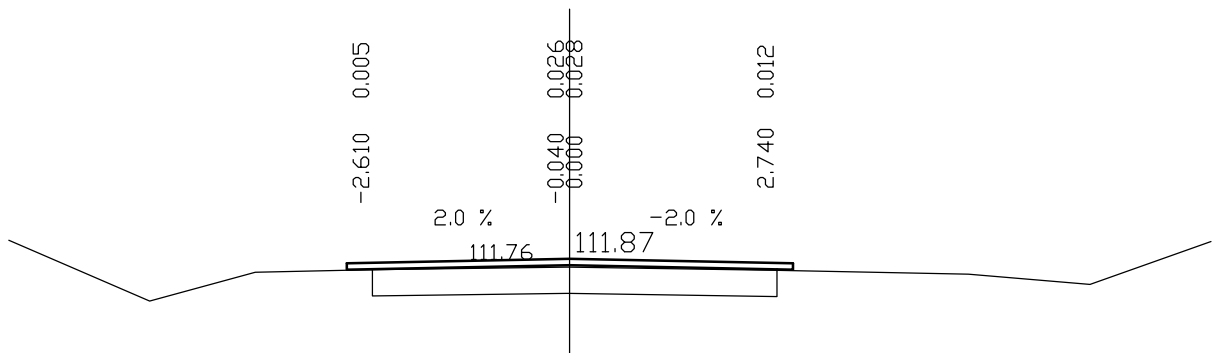
23457.80 PL=0.20 PP=0.36 W=0.0739 F=0.0000



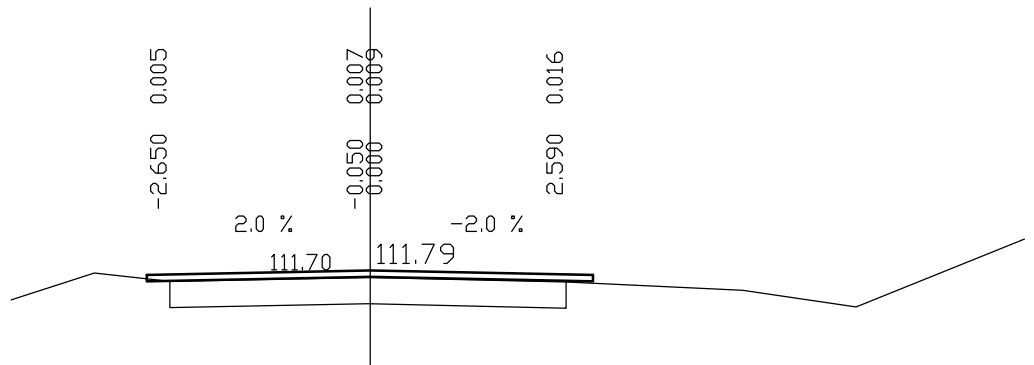
23511.50 PL=0.25 PP=0.23 W=0.0540 F=0.0000



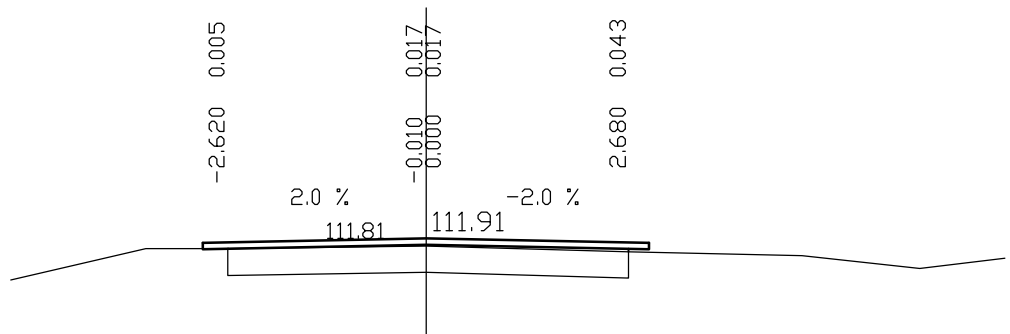
23571.10 PL=0.34 PP=0.21 W=0.0957 F=0.0000



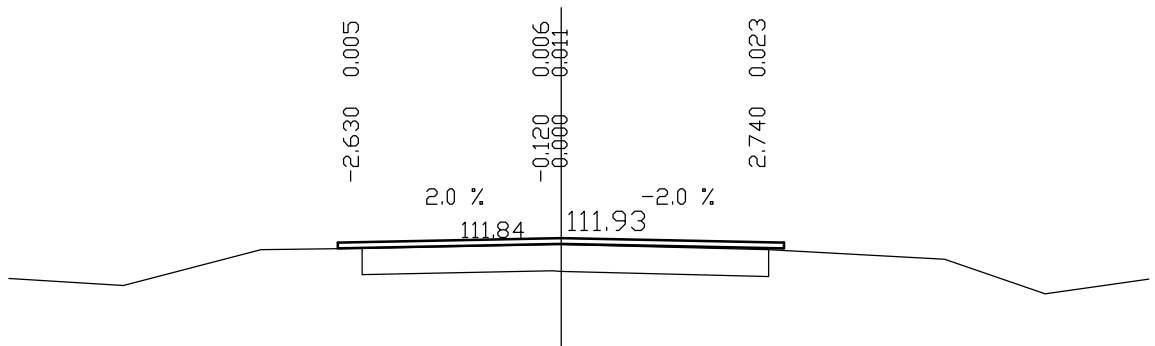
23619.50 PL=0.30 PP=0.36 W=0.0484 F=0.0000



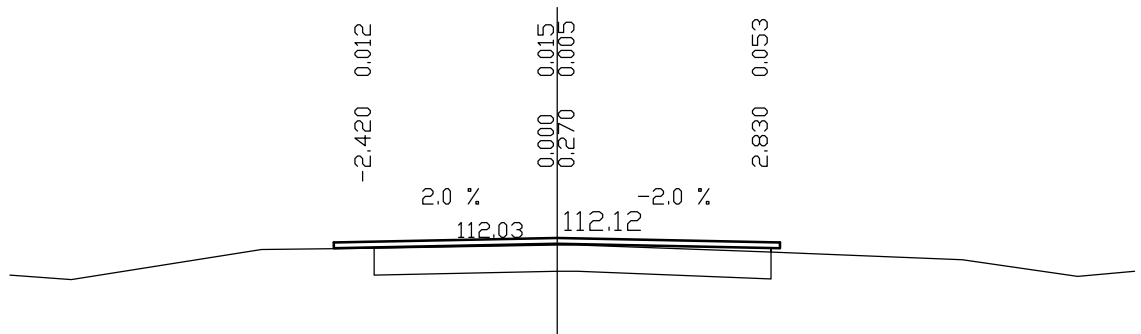
23669.30 PL=0.33 PP=0.27 W=0.1093 F=0.0000



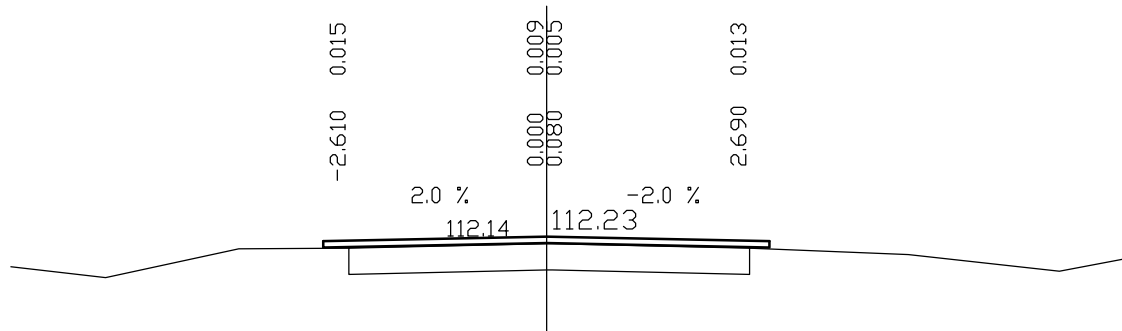
23737.40 PL=0.32 PP=0.21 W=0.0627 F=0.0000



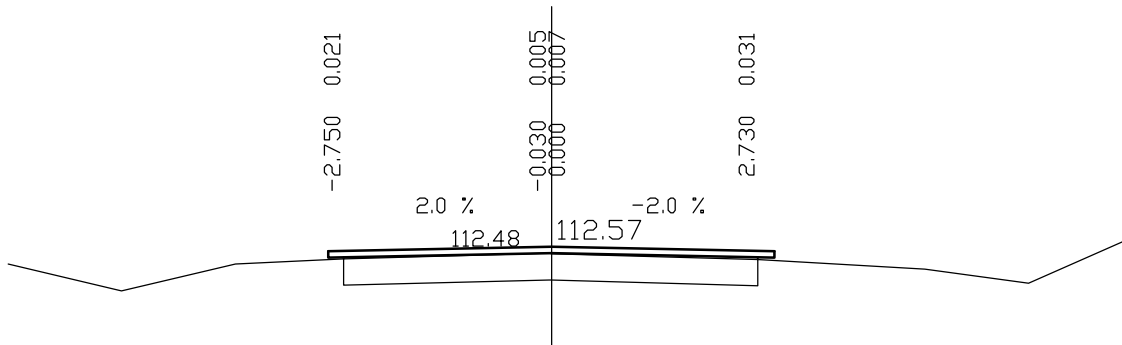
23791.60 PL=0.53 PP=0.12 W=0.1109 F=0.0000



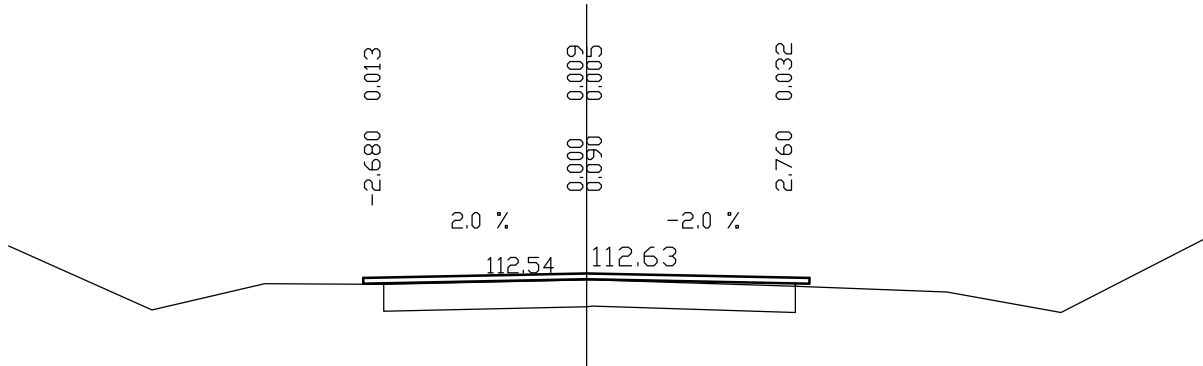
23848.20 PL=0.34 PP=0.26 W=0.0554 F=0.0000



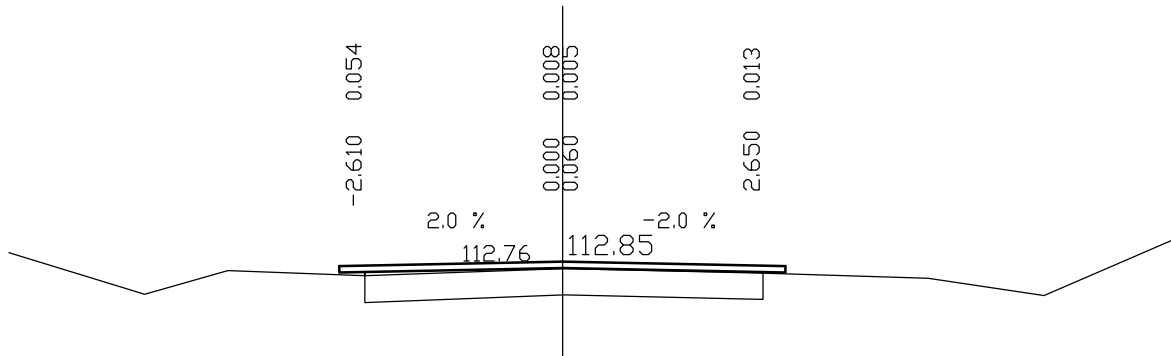
23914.40 PL=0.20 PP=0.22 W=0.0888 F=0.0000



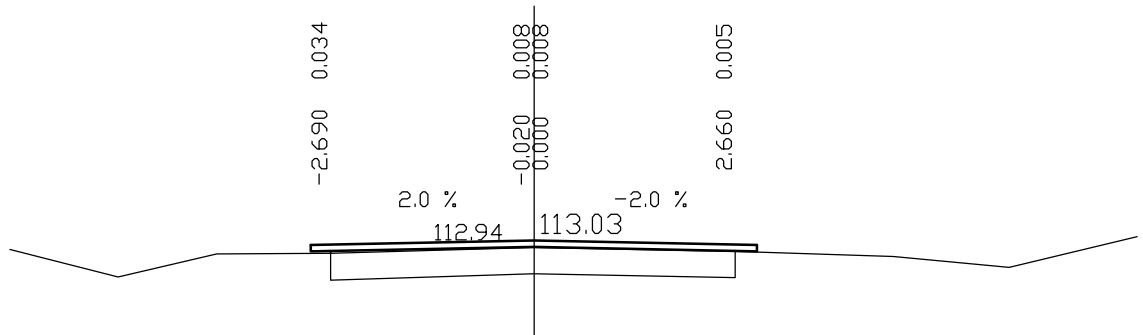
23970.30 PL=0.27 PP=0.19 W=0.0795 F=0.0000



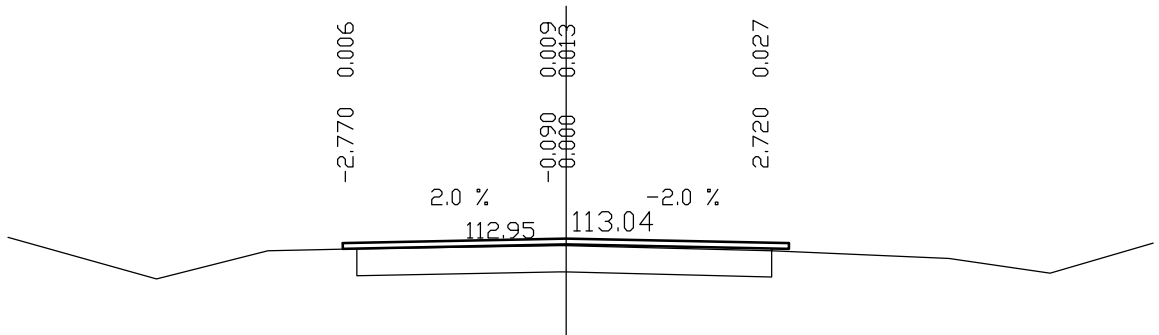
24023.40 PL=0.34 PP=0.30 W=0.1046 F=0.0000



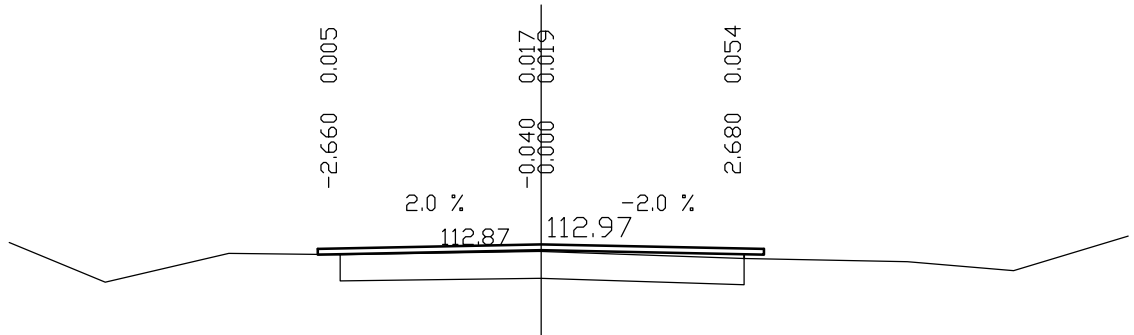
24073.10 PL=0.26 PP=0.29 W=0.0736 F=0.0000



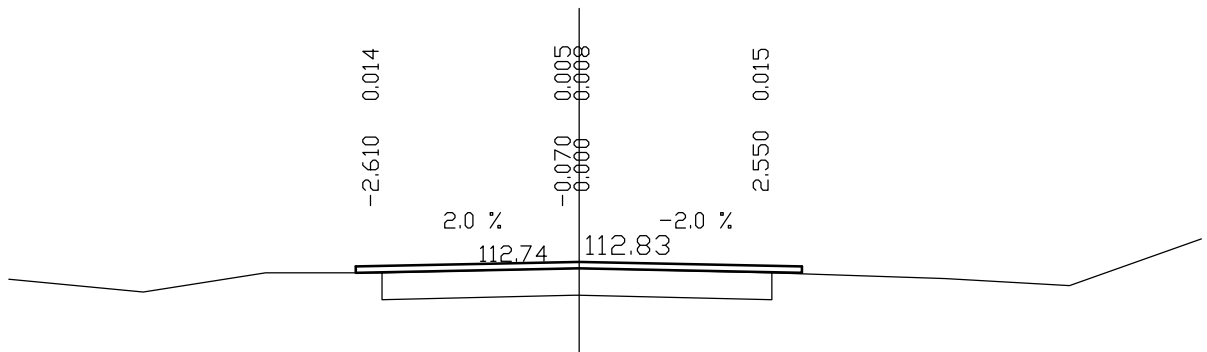
24144.30 PL=0.18 PP=0.23 W=0.0755 F=0.0000



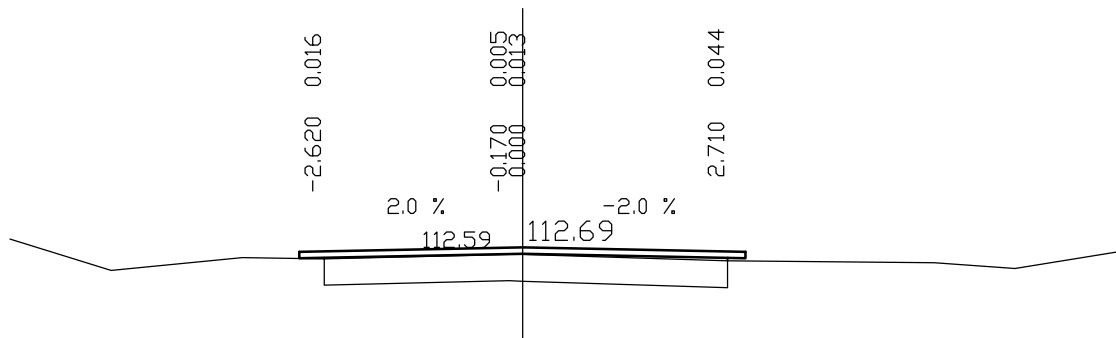
24197.90 PL=0.29 PP=0.27 W=0.1287 F=0.0000



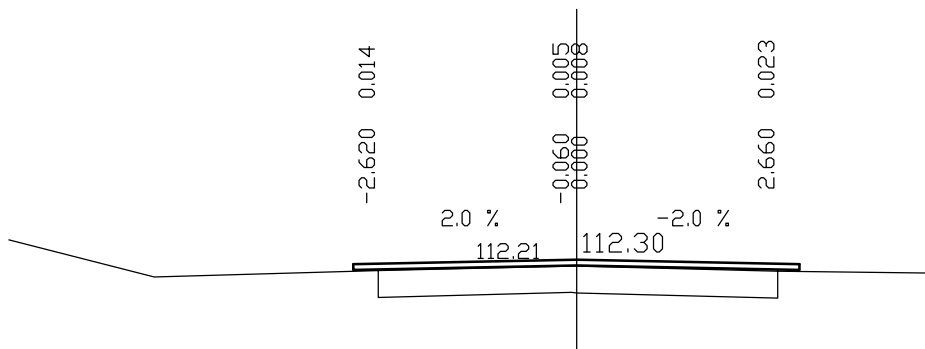
24258.80 PL=0.34 PP=0.40 W=0.0539 F=0.0000



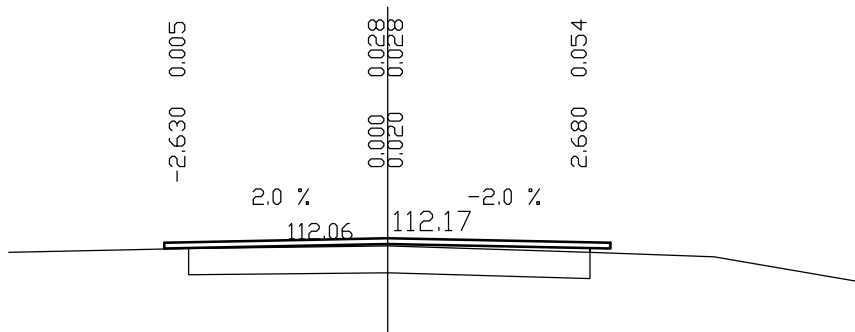
24315.10 PL=0.33 PP=0.24 W=0.1044 F=0.0000



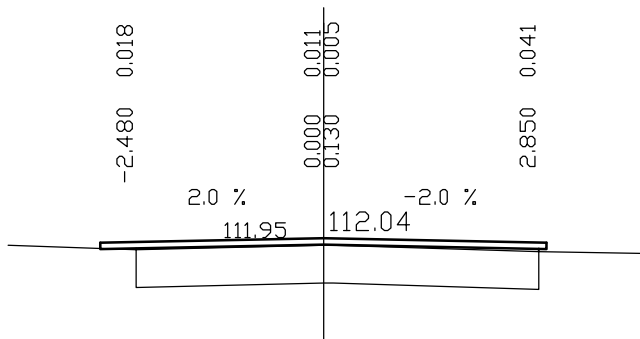
24365.40 PL=0.33 PP=0.29 W=0.0659 F=0.0000



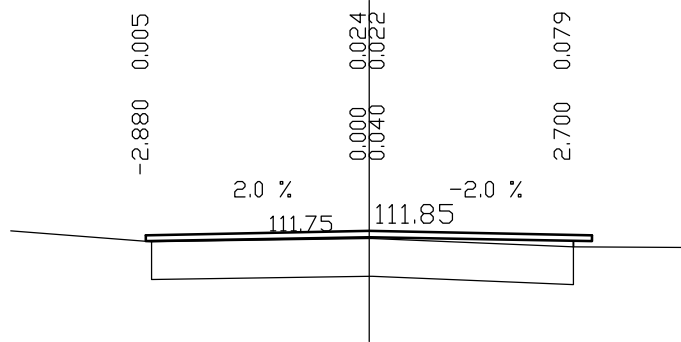
24413.20 PL=0.32 PP=0.27 W=0.1544 F=0.0000



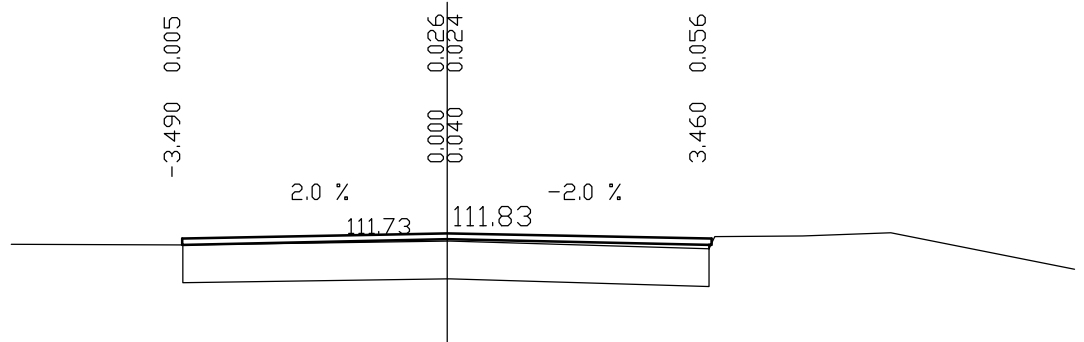
24466.30 PL=0.47 PP=0.10 W=0.1022 F=0.0000



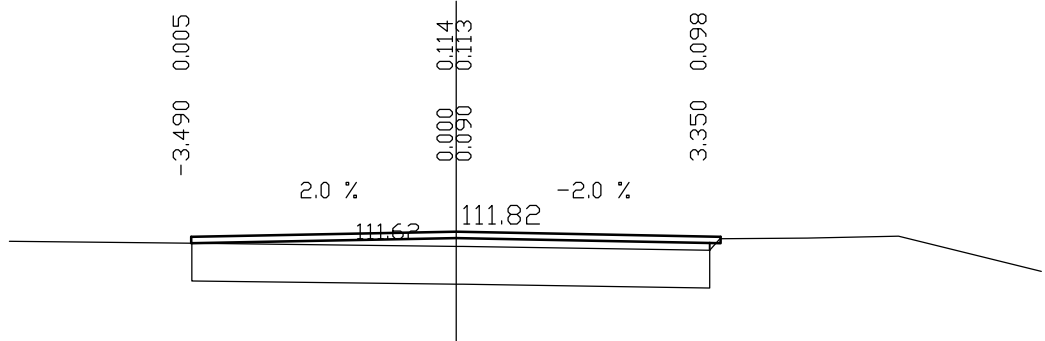
24505.60 PL=0.07 PP=0.25 W=0.1770 F=0.0000



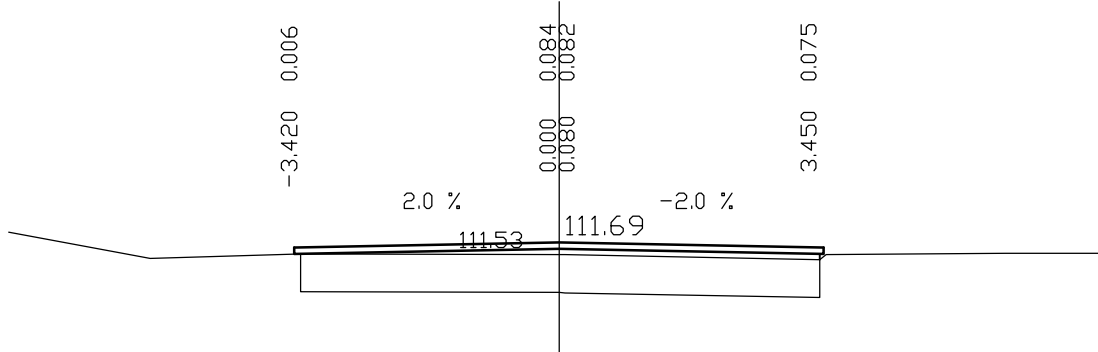
24548.30 PL=0.01 PP=0.04 W=0.1919 F=0.0000



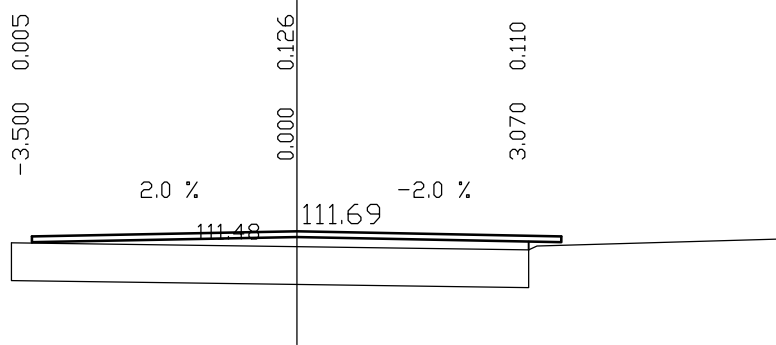
24595.80 PL=0.01 PP=0.15 W=0.5618 F=0.0000



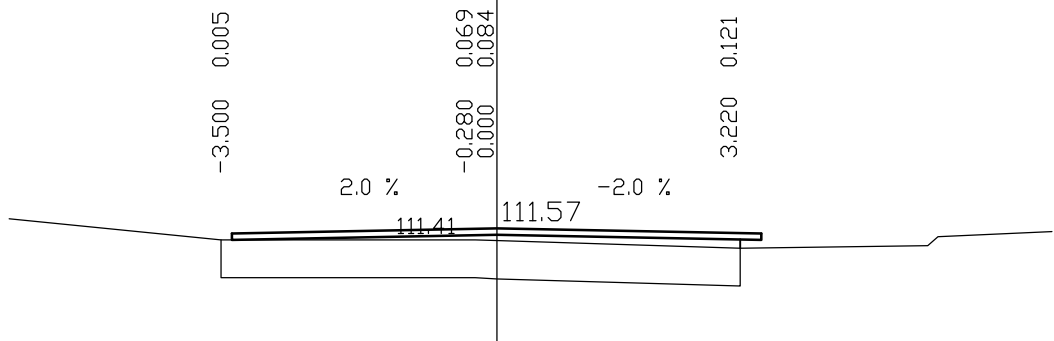
24645.00 PL=0.08 PP=0.05 W=0.4251 F=0.0000



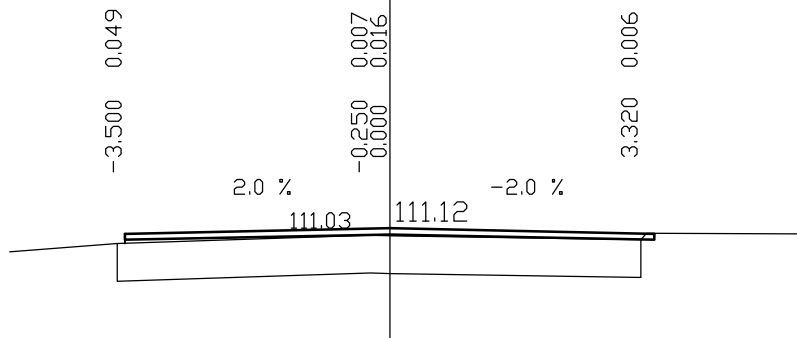
24673.20 PL=0.00 PP=0.43 W=0.5916 F=0.0000



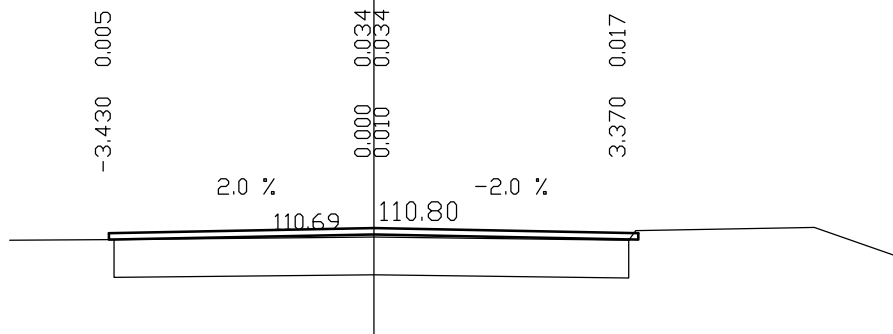
24696.70 PL=0.00 PP=0.28 W=0.4706 F=0.0000



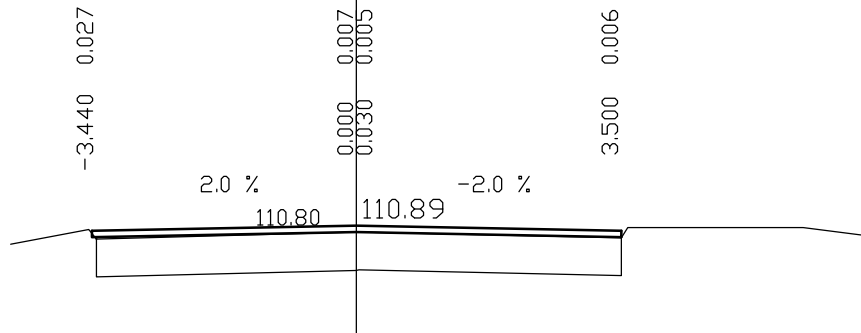
24748.40 PL=0.00 PP=0.18 W=0.1304 F=0.0000



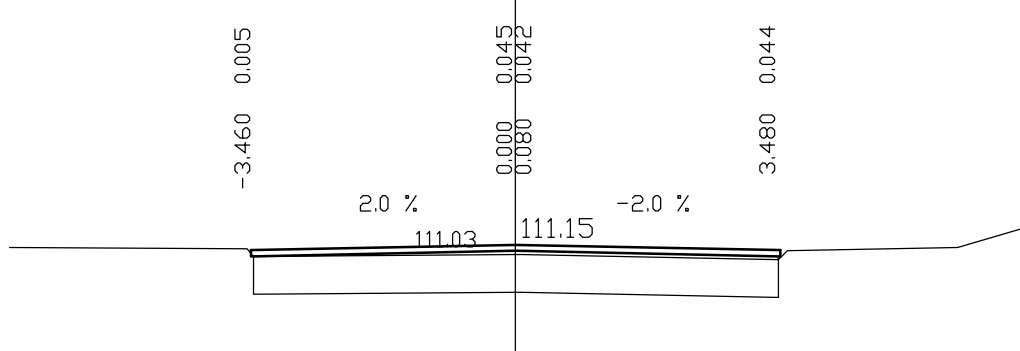
24806.70 PL=0.07 PP=0.13 W=0.1529 F=0.0000



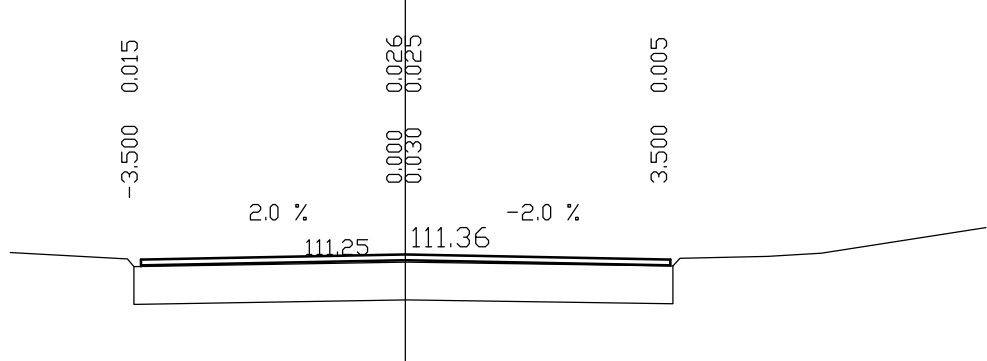
24857.90 PL=0.06 PP=0.00 W=0.0778 F=0.0000



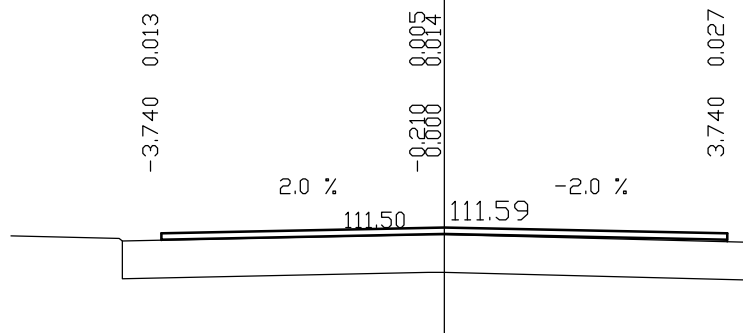
24908.70 PL=0.04 PP=0.02 W=0.2362 F=0.0000



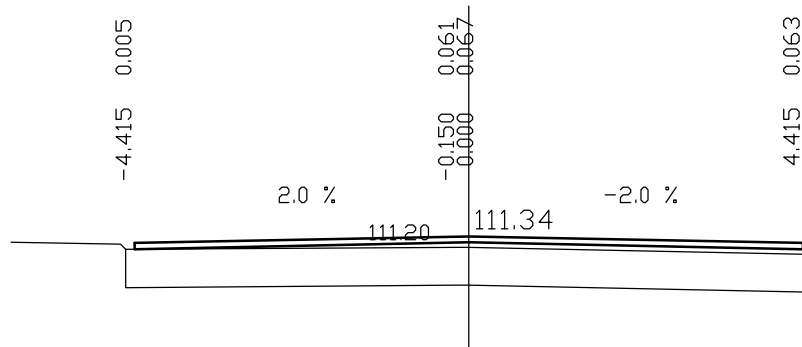
24964.20 PL=0.00 PP=0.00 W=0.1298 F=0.0000



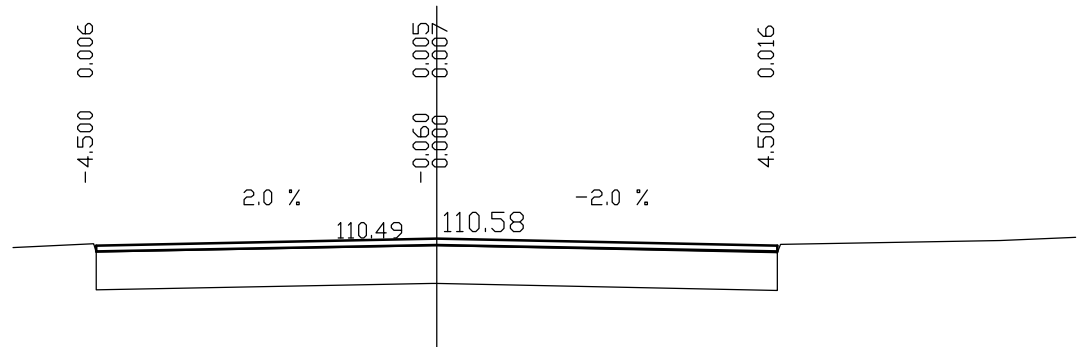
25019.20 PL=0.00 PP=0.00 W=0.1105 F=0.0000



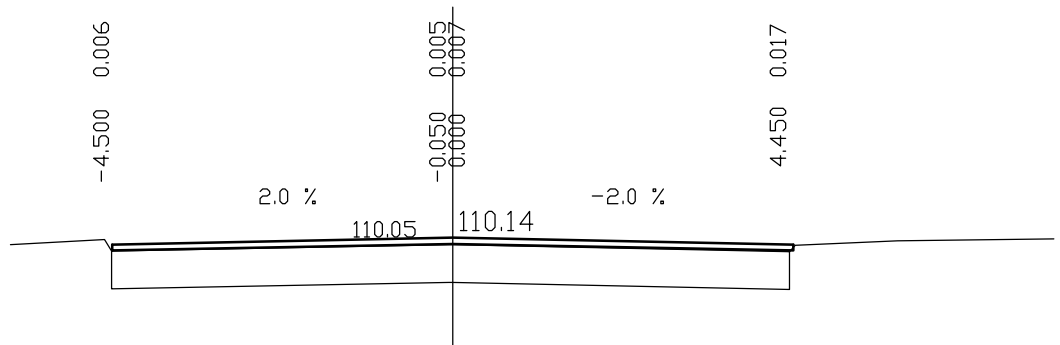
25073.20 PL=0.00 PP=0.00 W=0.4396 F=0.0000



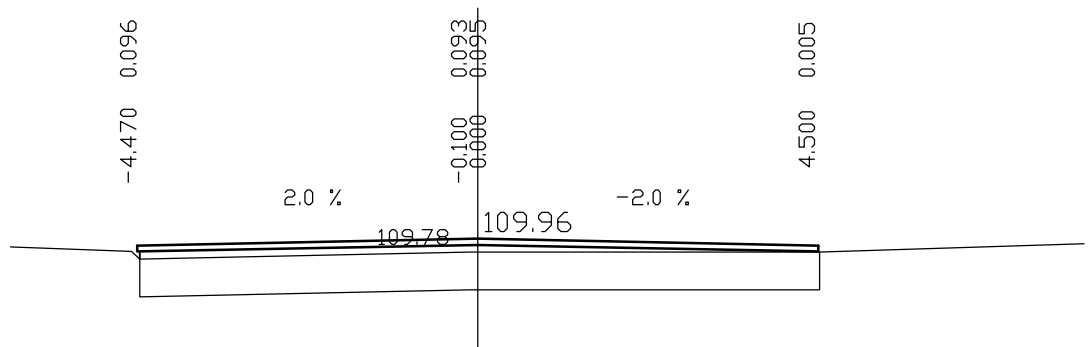
25133.30 PL=0.00 PP=0.00 W=0.0766 F=0.0000



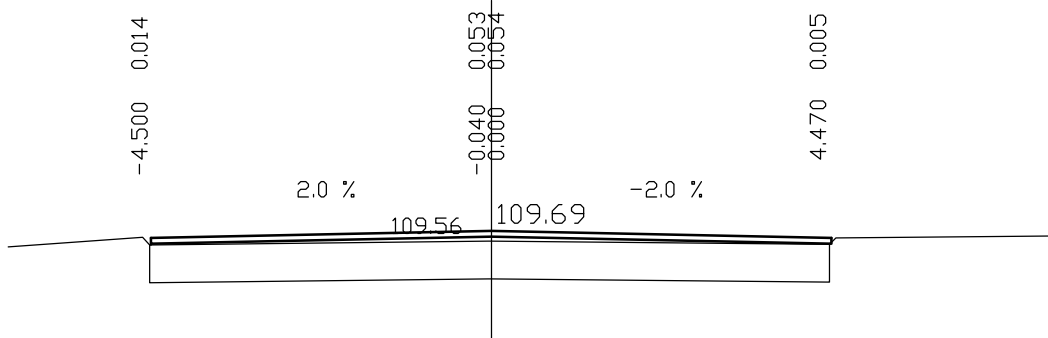
25177.70 PL=0.00 PP=0.05 W=0.0782 F=0.0000



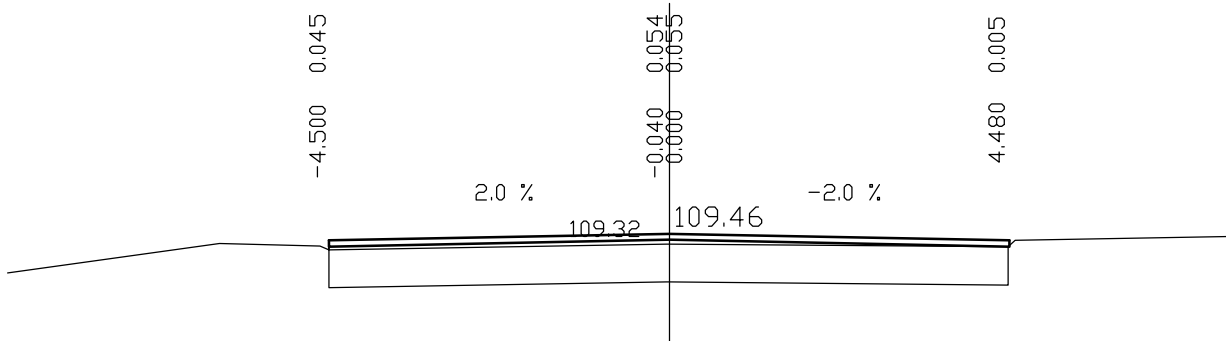
25230.50 PL=0.03 PP=0.00 W=0.6474 F=0.0000



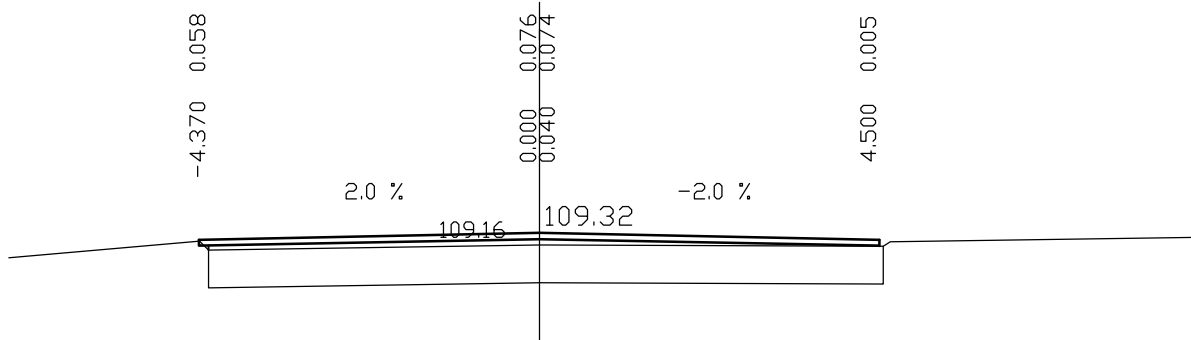
25276.50 PL=0.00 PP=0.03 W=0.2834 F=0.0000



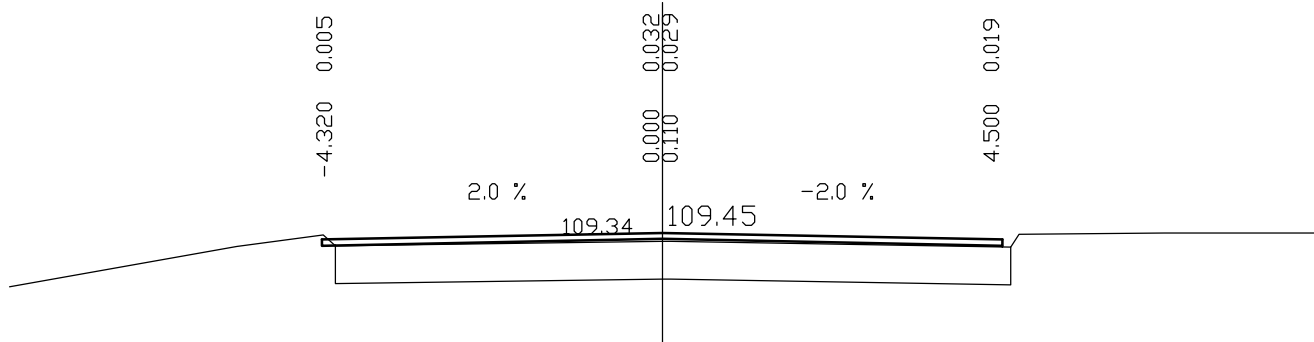
25324.20 PL=0.00 PP=0.02 W=0.3597 F=0.0000



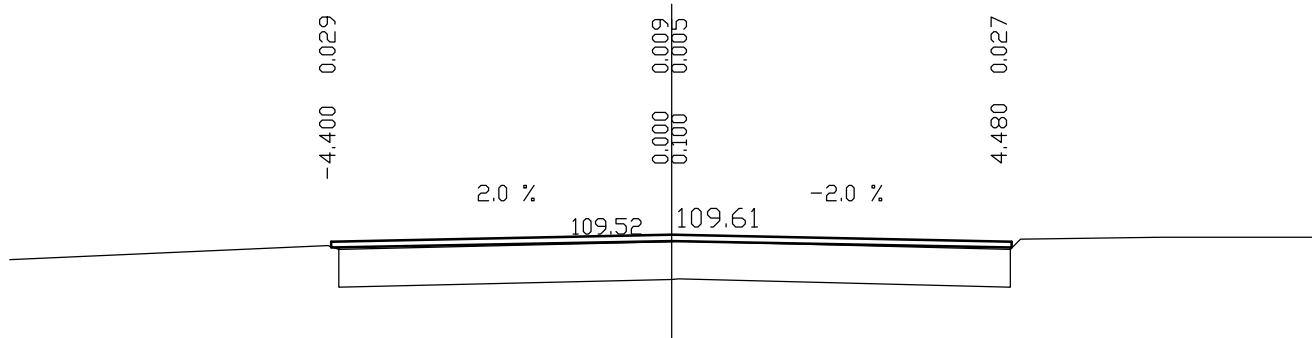
25398.30 PL=0.13 PP=0.00 W=0.4720 F=0.0000



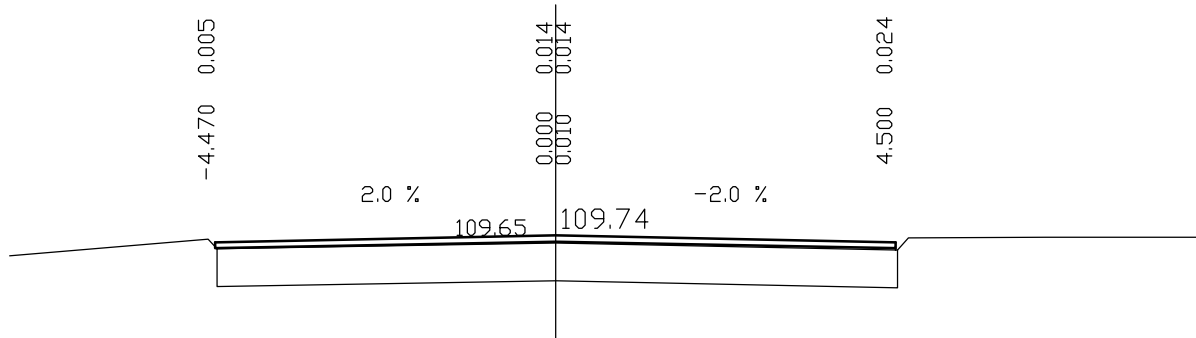
25440.70 PL=0.18 PP=0.00 W=0.1909 F=0.0000



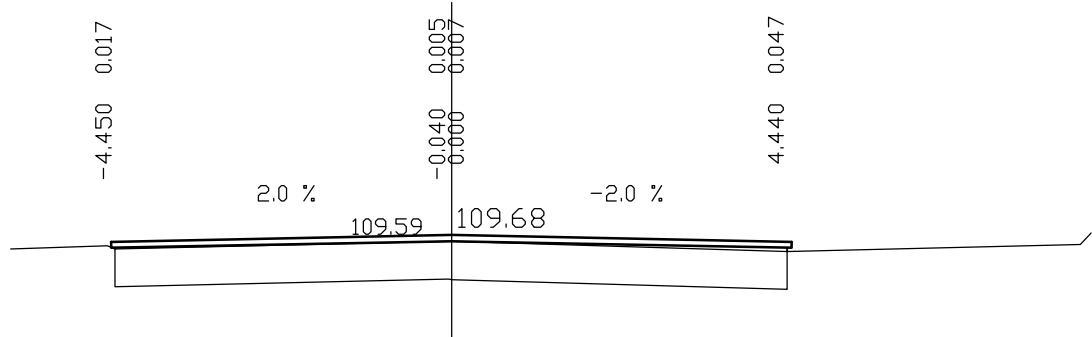
25495.50 PL=0.10 PP=0.02 W=0.1567 F=0.0000



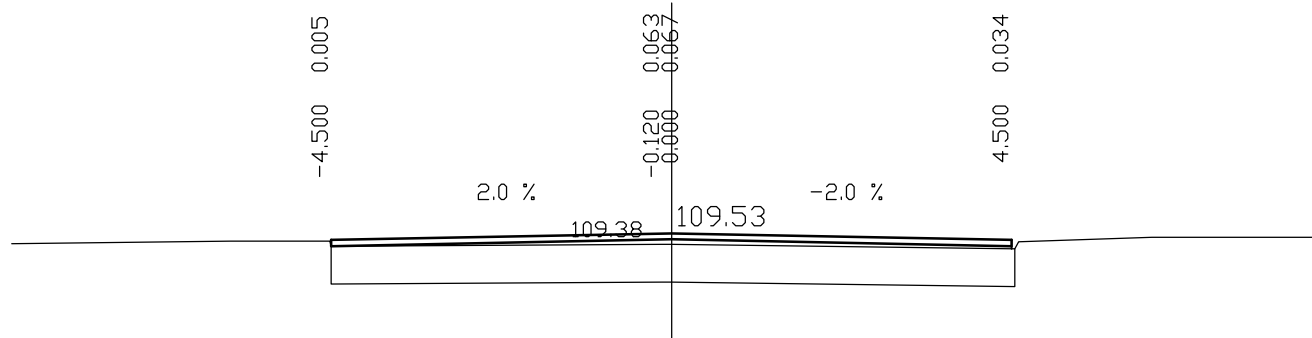
25553.60 PL=0.03 PP=0.00 W=0.1279 F=0.0000



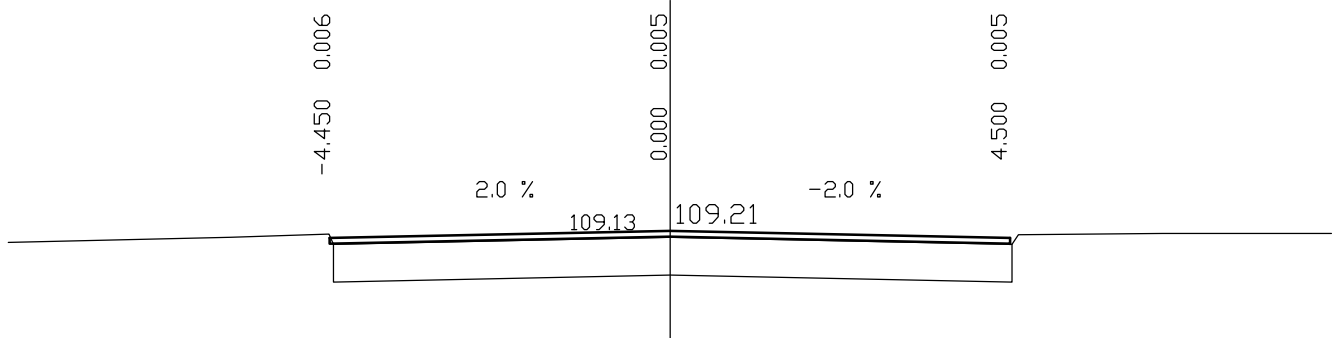
25608.30 PL=0.05 PP=0.06 W=0.1686 F=0.0000



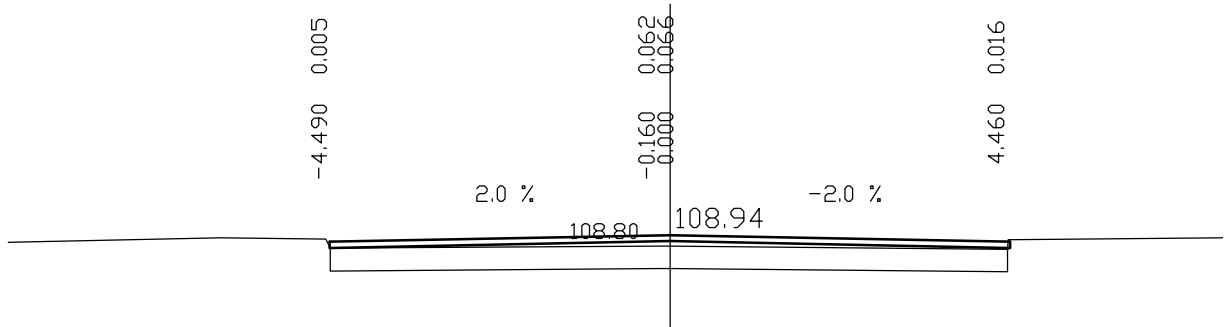
25688.30 PL=0.00 PP=0.00 W=0.3862 F=0.0000



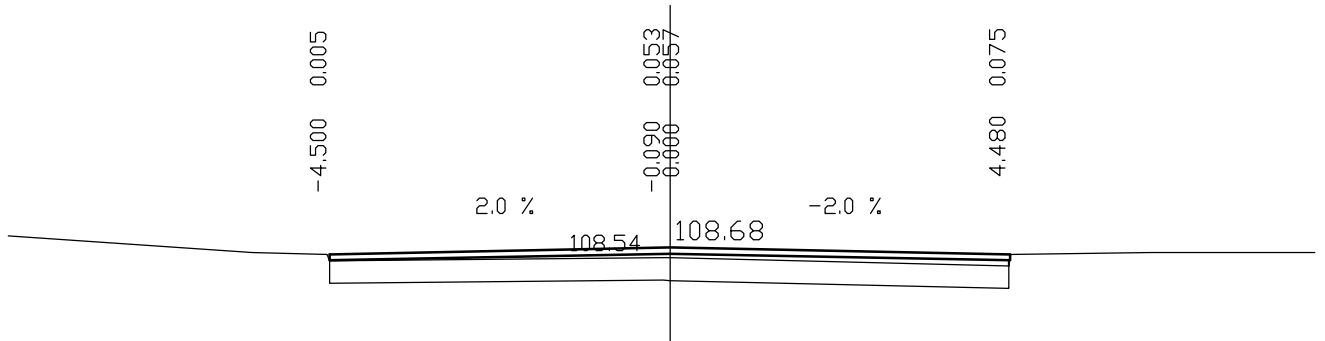
25739.00 PL=0.05 PP=0.00 W=0.0470 F=0.0000



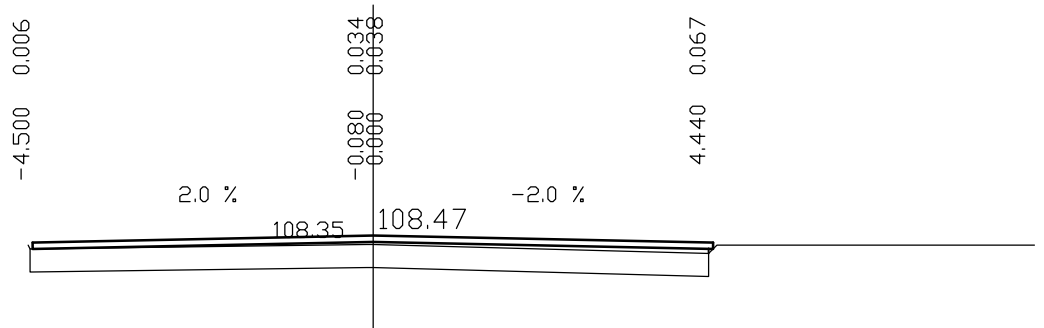
25790.10 PL=0.01 PP=0.04 W=0.3382 F=0.0000



25846.10 PL=0.00 PP=0.02 W=0.4308 F=0.0000



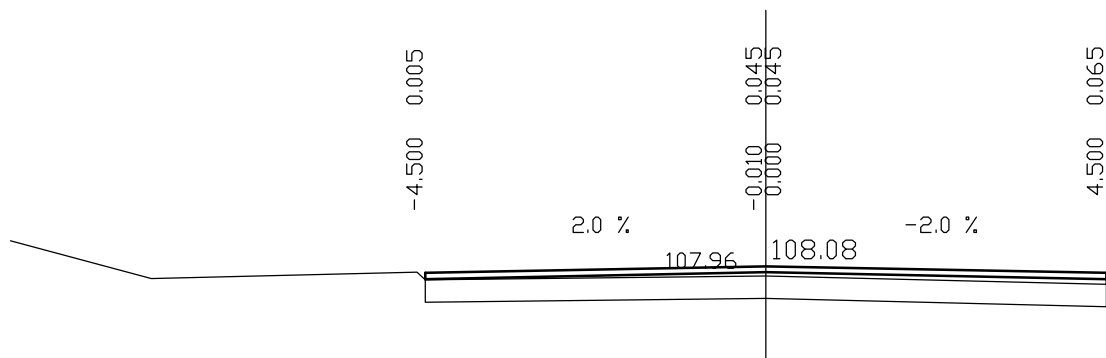
25886.80 PL=0.00 PP=0.06 W=0.3266 F=0.0000



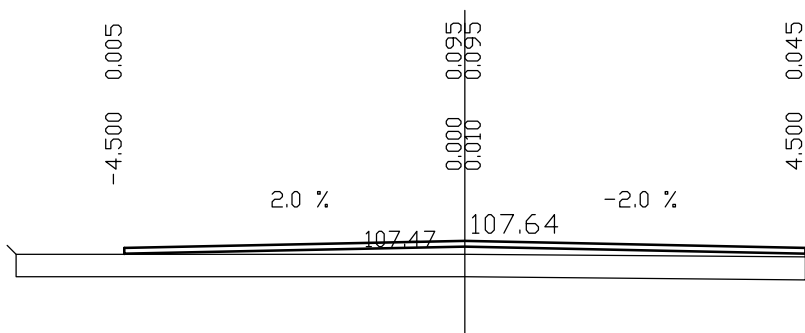
SKALA 1: 100

ARKUSZ 35

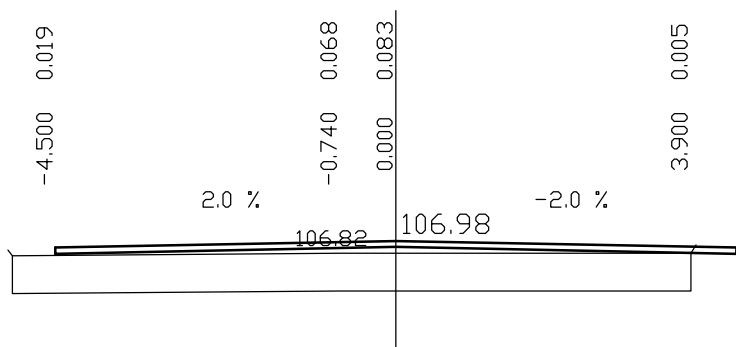
25923.80 PL=0.00 PP=0.00 W=0.3603 F=0.0000



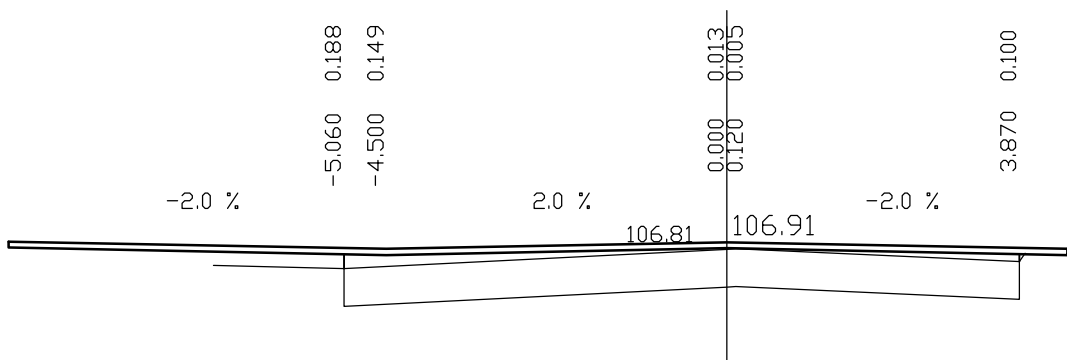
25958.80 PL=0.00 PP=0.00 W=0.5403 F=0.0000



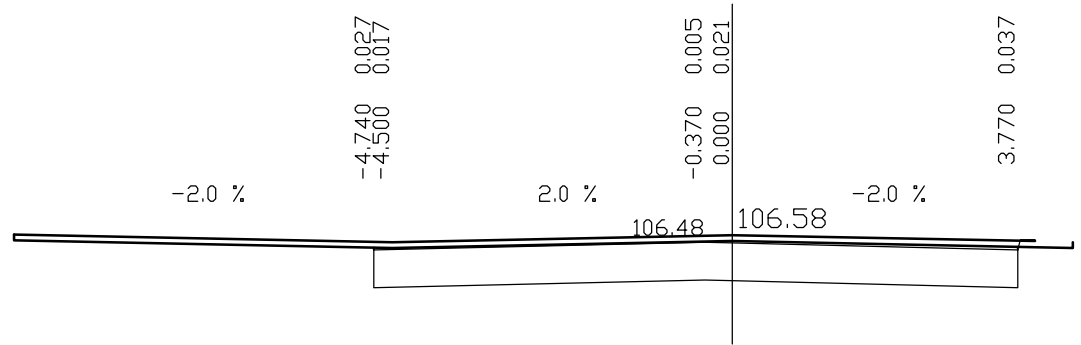
26014.60 PL=0.00 PP=0.60 W=0.3911 F=0.0000



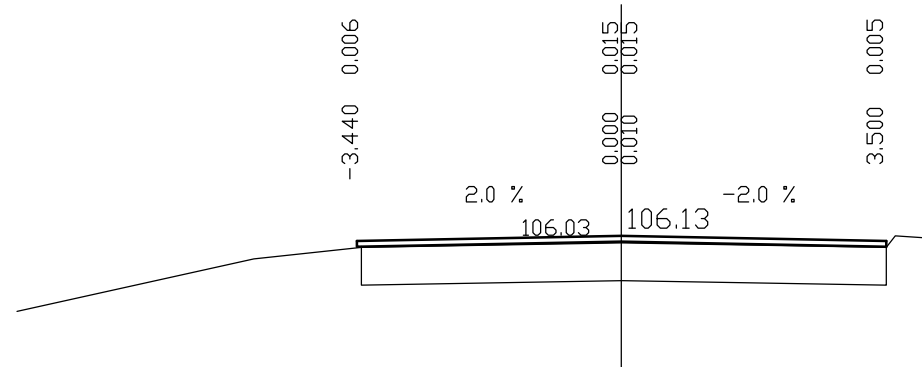
26030.30 PL=4.44 PP=0.63 W=0.6569 F=0.0000



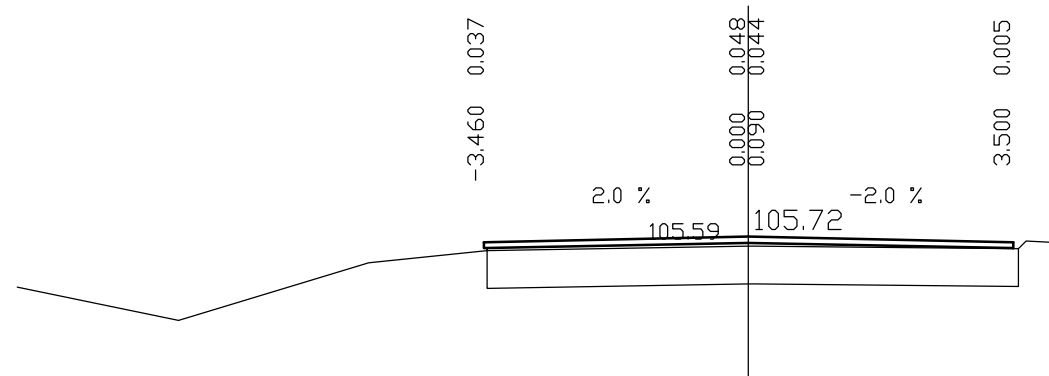
26054.30 PL=4.76 PP=0.73 W=0.1648 F=0.0000



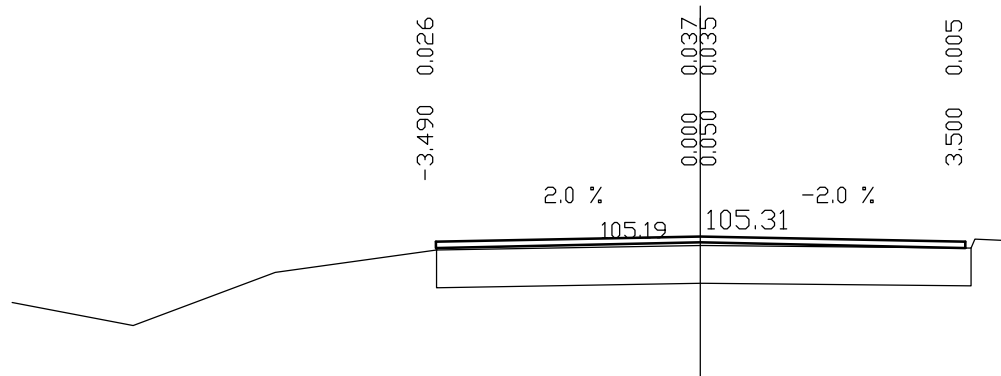
26099.90 PL=0.06 PP=0.00 W=0.0712 F=0.0000



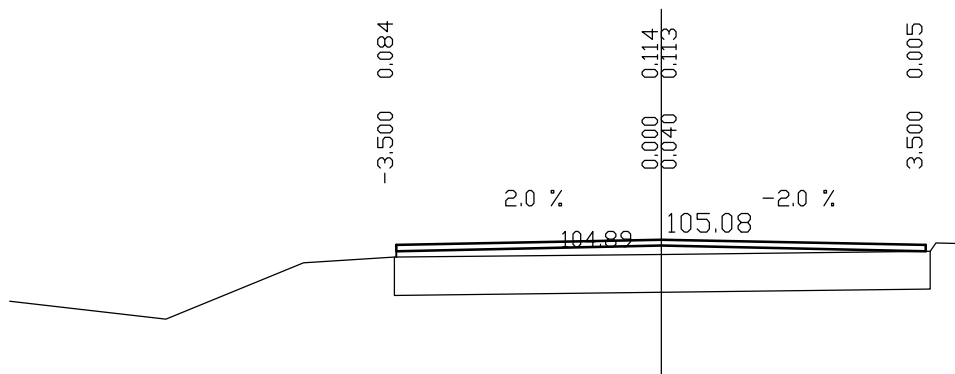
26146.40 PL=0.04 PP=0.00 W=0.2366 F=0.0000



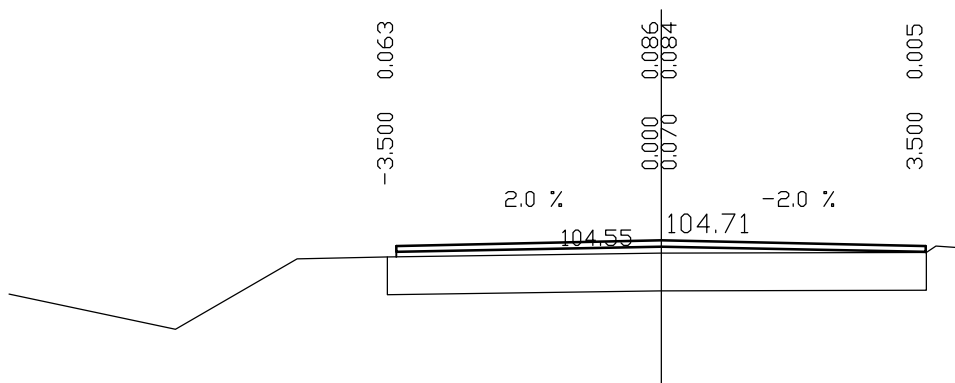
26196.20 PL=0.01 PP=0.00 W=0.1807 F=0.0000



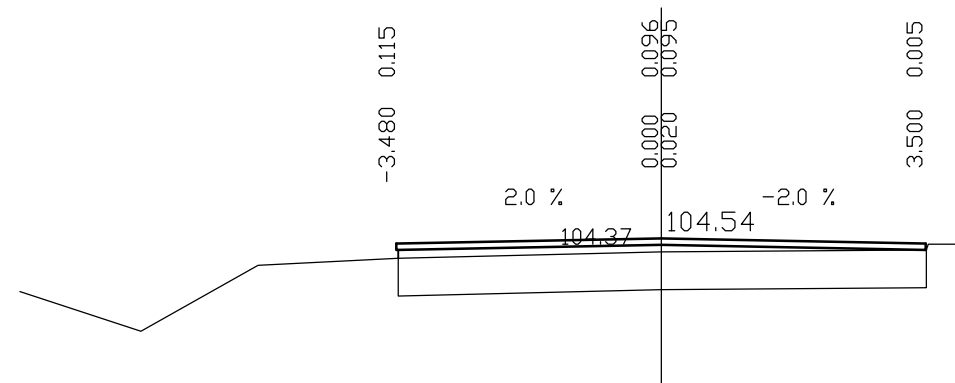
26229.70 PL=0.00 PP=0.00 W=0.5571 F=0.0000



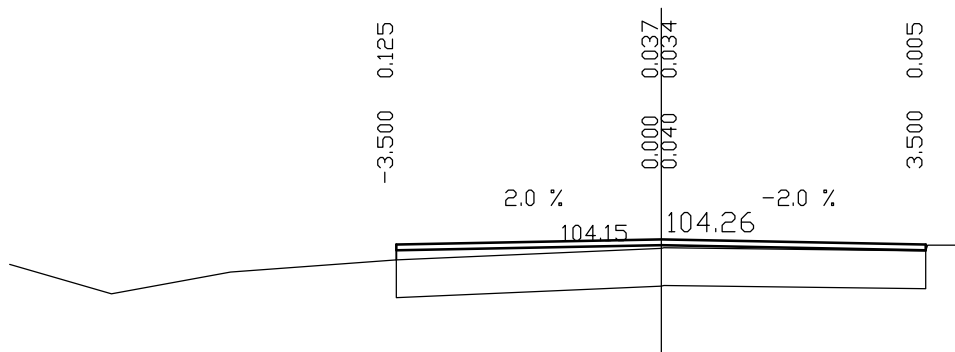
26291.80 PL=0.00 PP=0.00 W=0.4194 F=0.0000



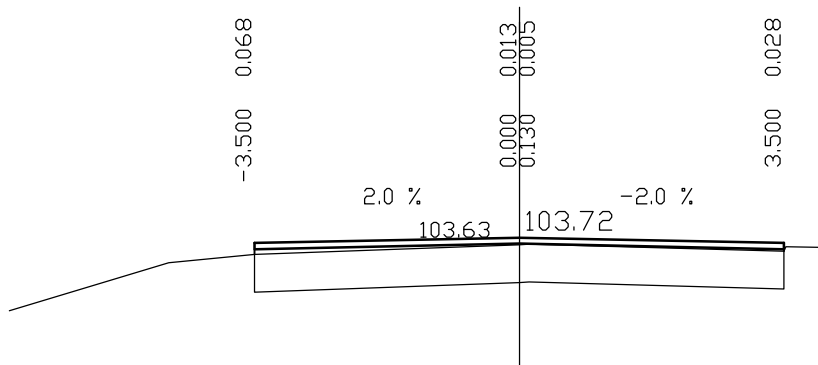
26328.20 PL=0.02 PP=0.00 W=0.5431 F=0.0000



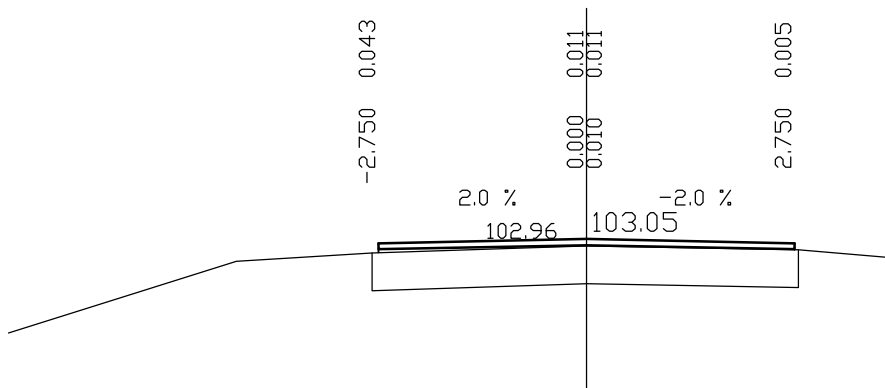
26367.80 PL=0.00 PP=0.00 W=0.3524 F=0.0000



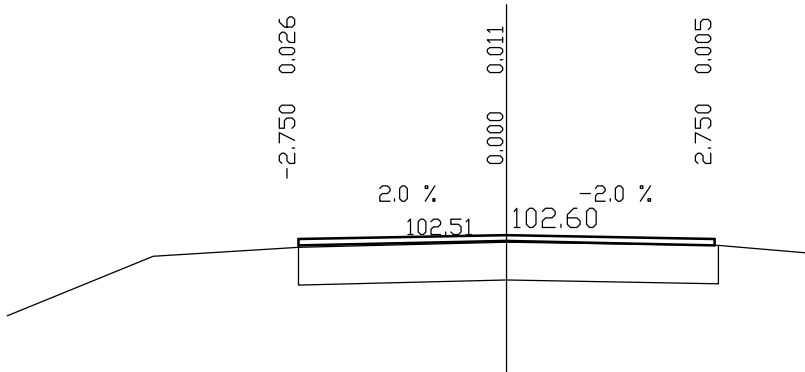
26419.00 PL=0.00 PP=0.00 W=0.2003 F=0.0000



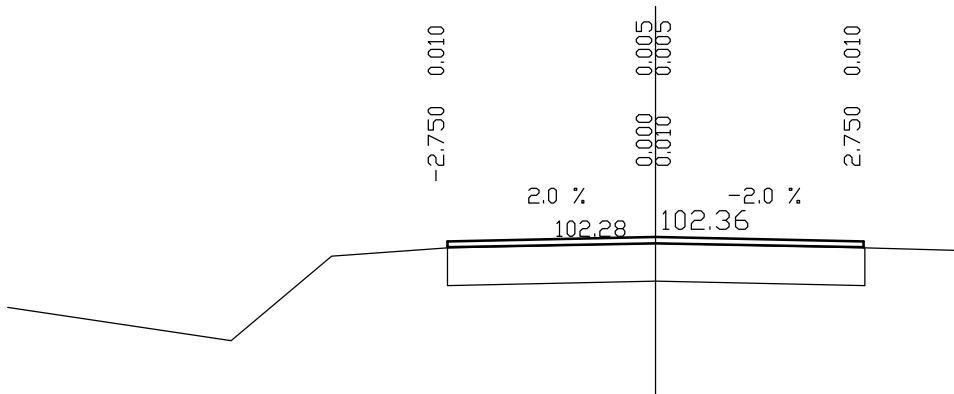
26483.80 PL=0.00 PP=0.00 W=0.0976 F=0.0000



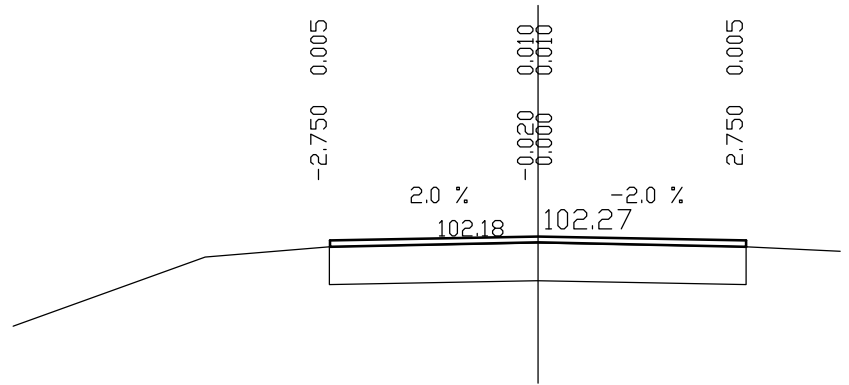
26537.20 PL=0.00 PP=0.00 W=0.0729 F=0.0000



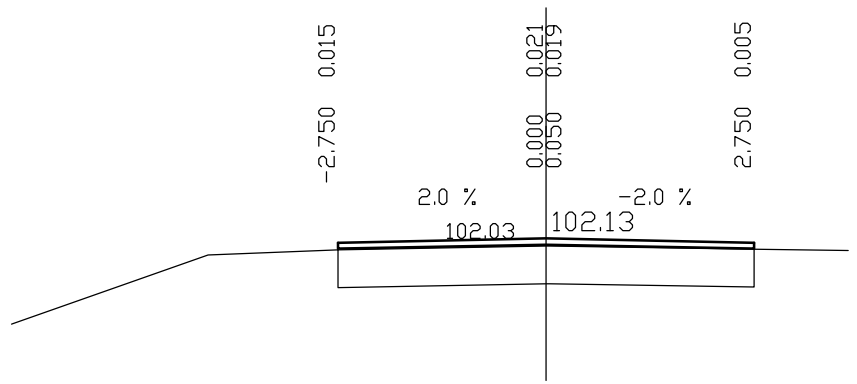
26589.70 PL=0.00 PP=0.00 W=0.0413 F=0.0000



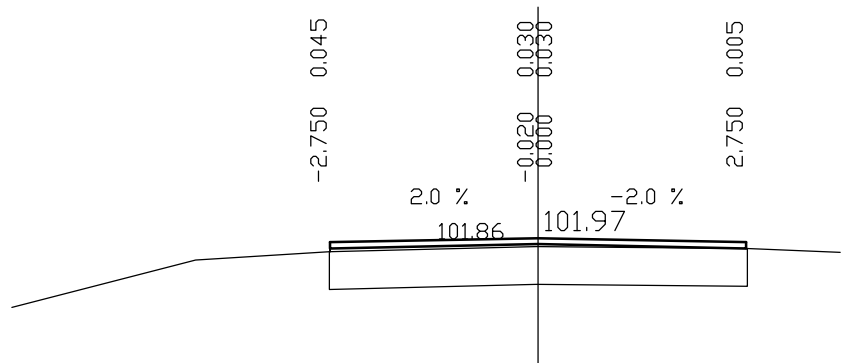
26625.70 PL=0.00 PP=0.00 W=0.0413 F=0.0000



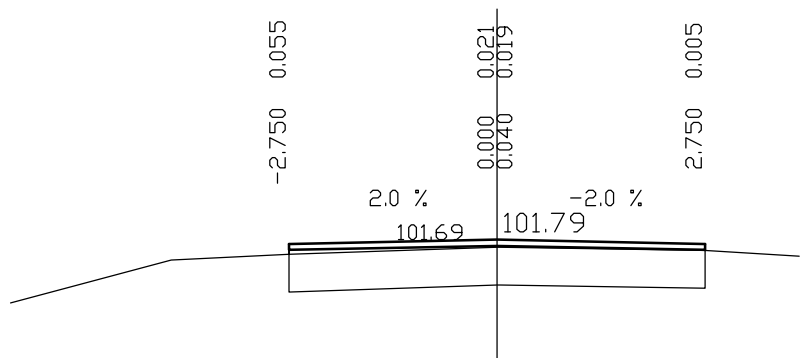
26677.00 PL=0.00 PP=0.00 W=0.0829 F=0.0000



26734.40 PL=0.00 PP=0.00 W=0.1511 F=0.0000



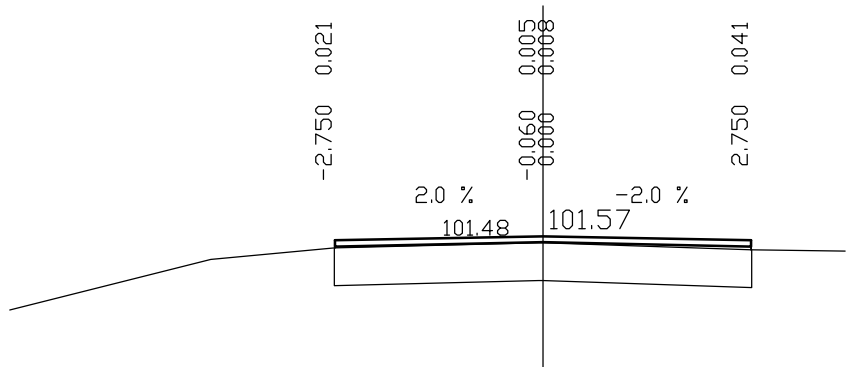
26792.10 PL=0.00 PP=0.00 W=0.1378 F=0.0000



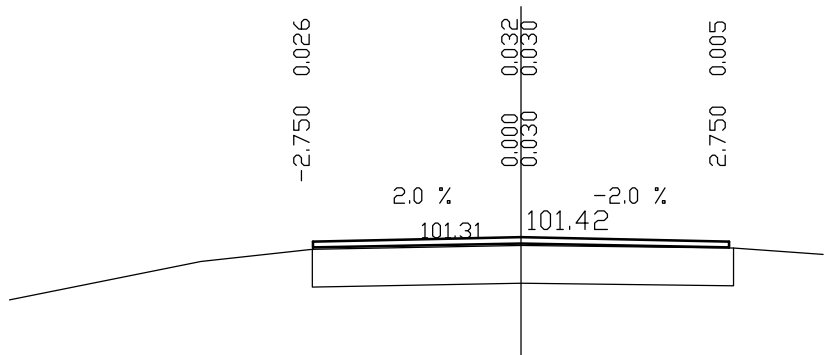
SKALA 1: 100

ARKUSZ 40

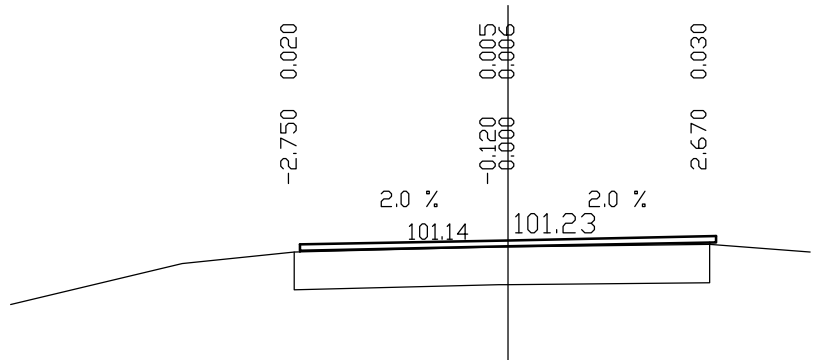
26852.00 PL=0.00 PP=0.00 W=0.1028 F=0.0000



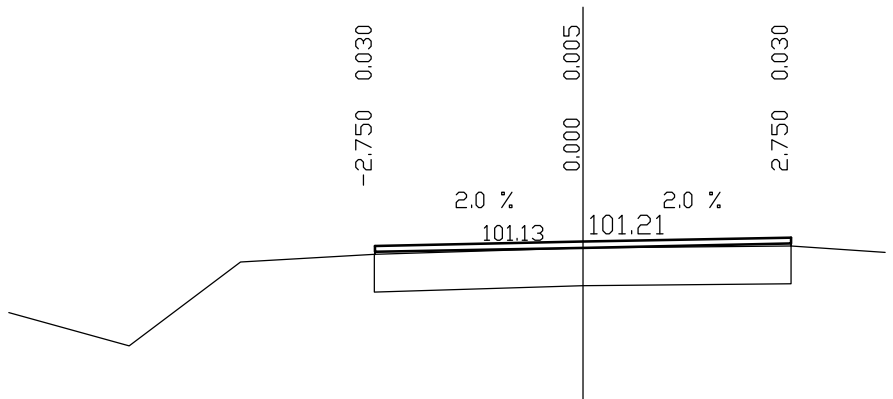
26907.50 PL=0.00 PP=0.00 W=0.1283 F=0.0000



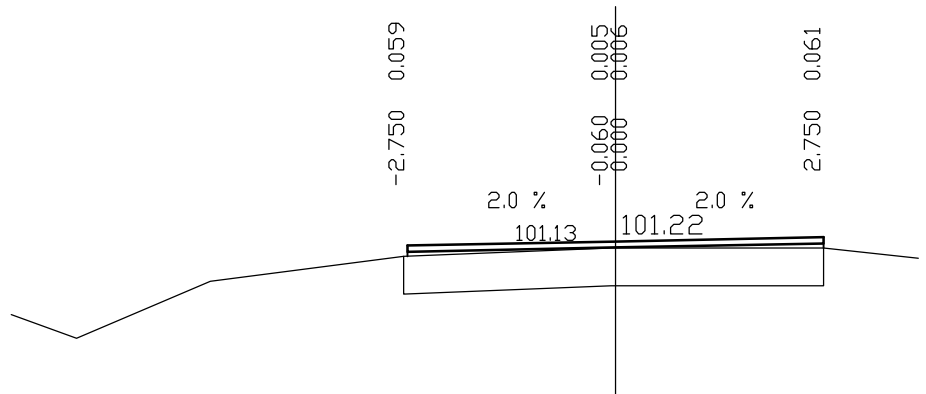
26969.00 PL=0.00 PP=0.08 W=0.0817 F=0.0000



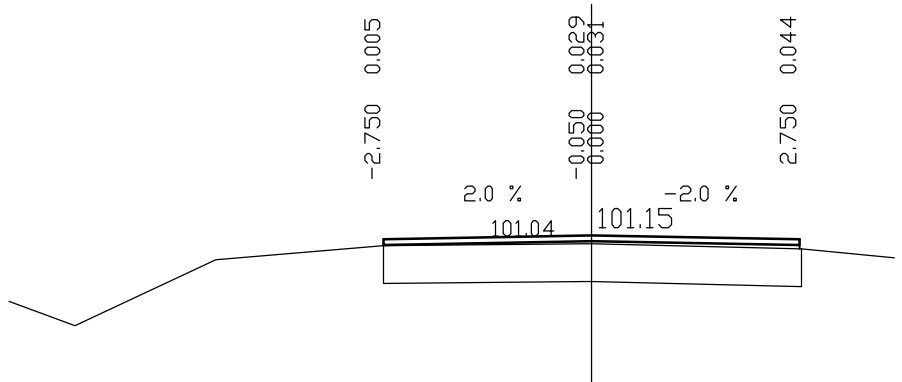
26985.30 PL=0.00 PP=0.00 W=0.0962 F=0.0000



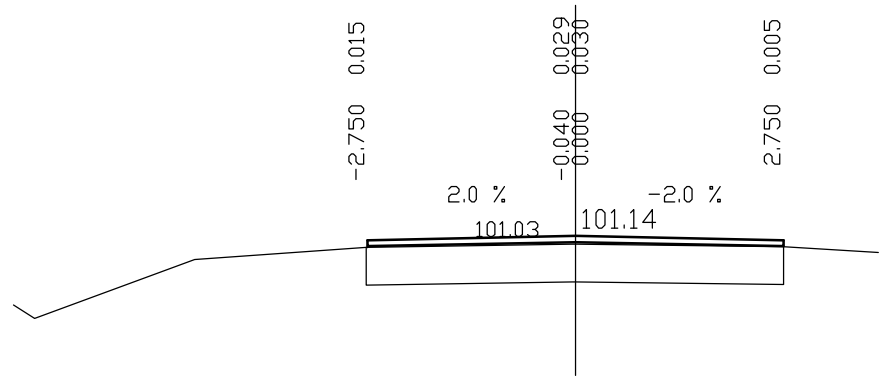
27020.40 PL=0.00 PP=0.00 W=0.1785 F=0.0000



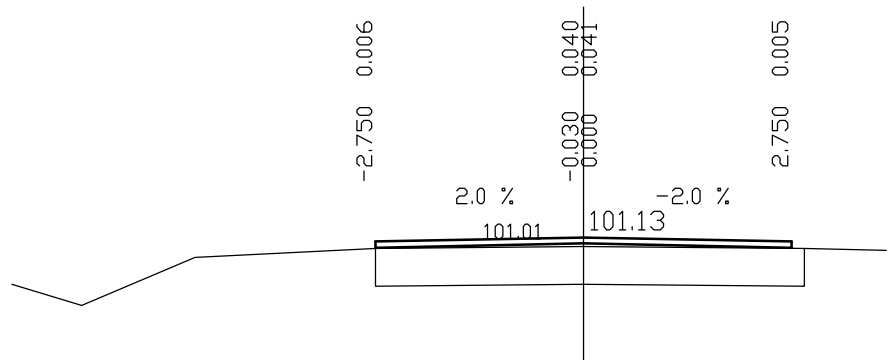
27073.10 PL=0.00 PP=0.00 W=0.1505 F=0.0000



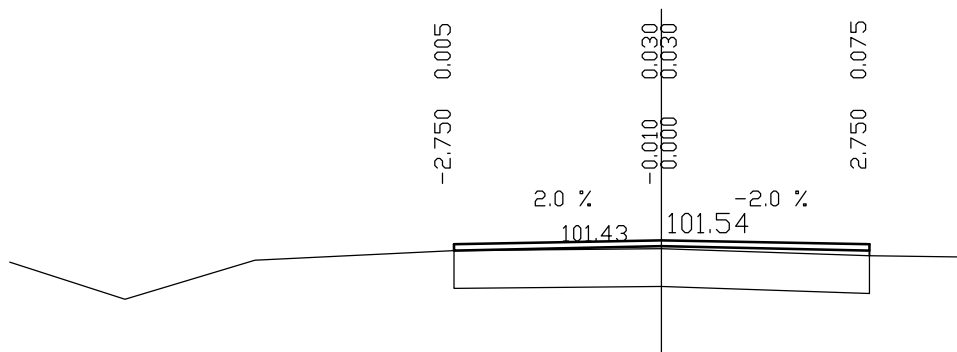
27126.70 PL=0.00 PP=0.00 W=0.1103 F=0.0000



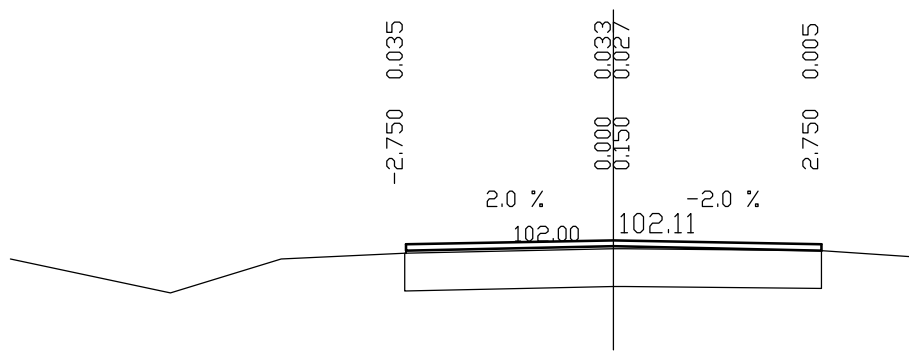
27178.50 PL=0.00 PP=0.00 W=0.1271 F=0.0000



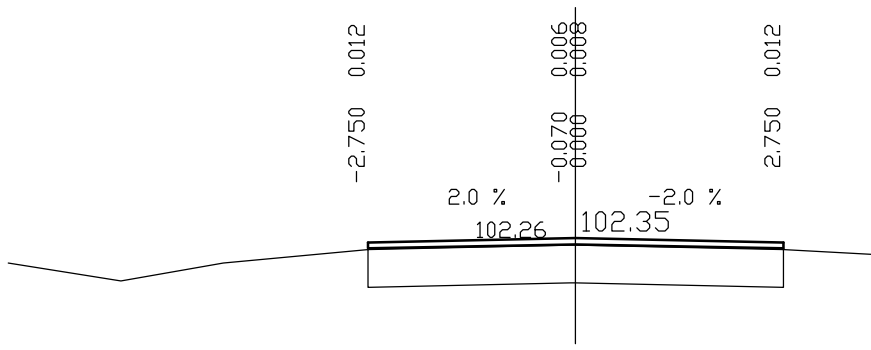
27230.30 PL=0.00 PP=0.00 W=0.1927 F=0.0000



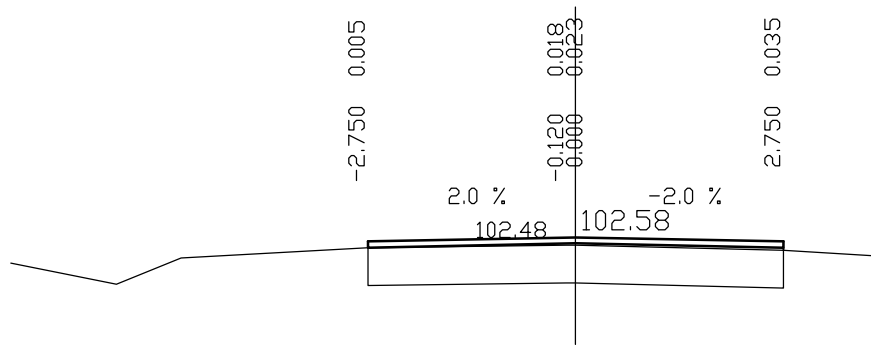
27287.00 PL=0.00 PP=0.00 W=0.1396 F=0.0000



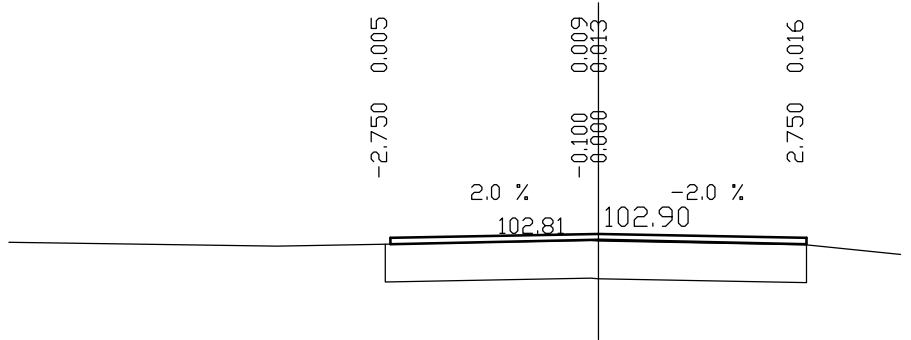
27337.20 PL=0.00 PP=0.00 W=0.0535 F=0.0000



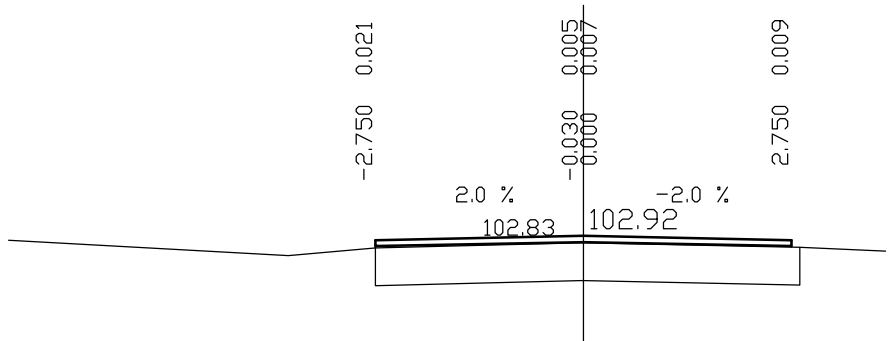
27385.40 PL=0.00 PP=0.00 W=0.1126 F=0.0000



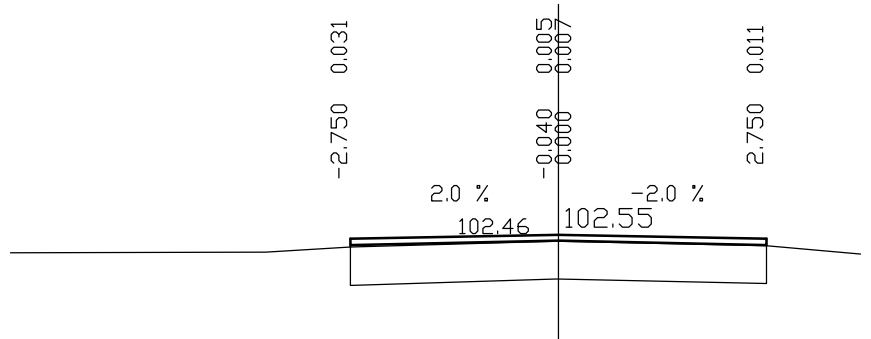
27462.50 PL=0.00 PP=0.00 W=0.0596 F=0.0000



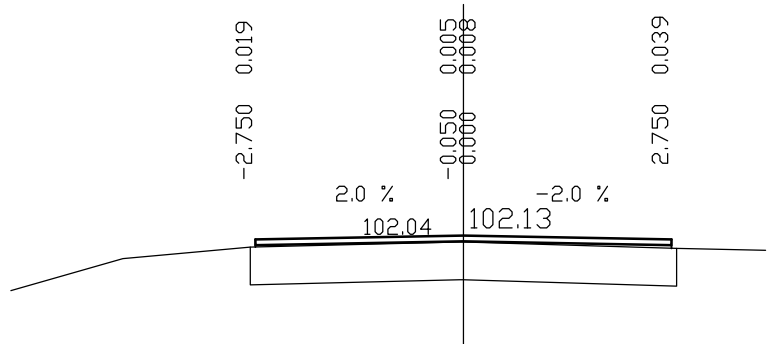
27512.50 PL=0.00 PP=0.00 W=0.0576 F=0.0000



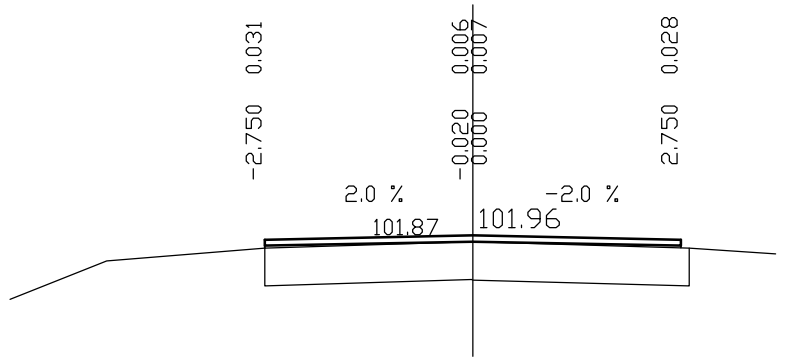
27570.60 PL=0.00 PP=0.00 W=0.0738 F=0.0000



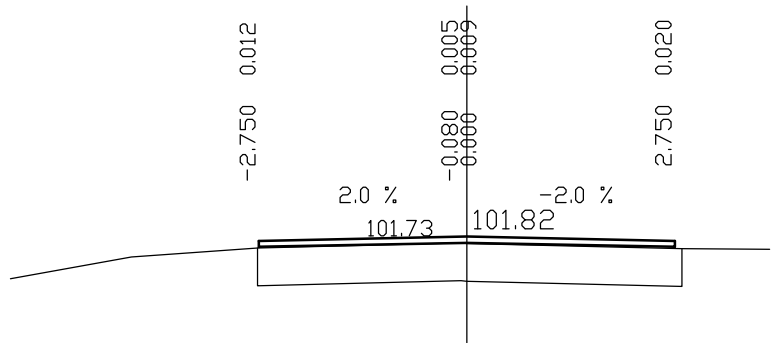
27644.60 PL=0.00 PP=0.00 W=0.0973 F=0.0000



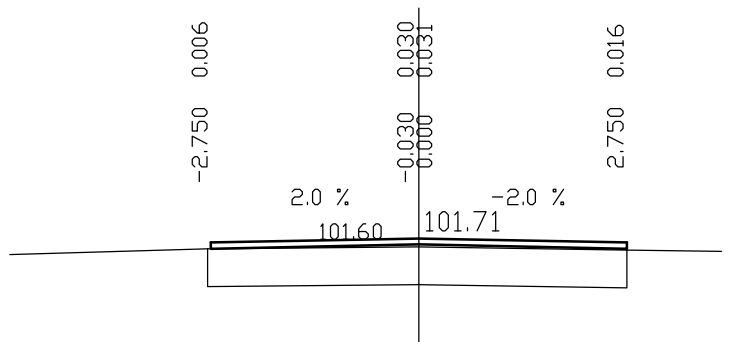
27688.80 PL=0.00 PP=0.00 W=0.0987 F=0.0000



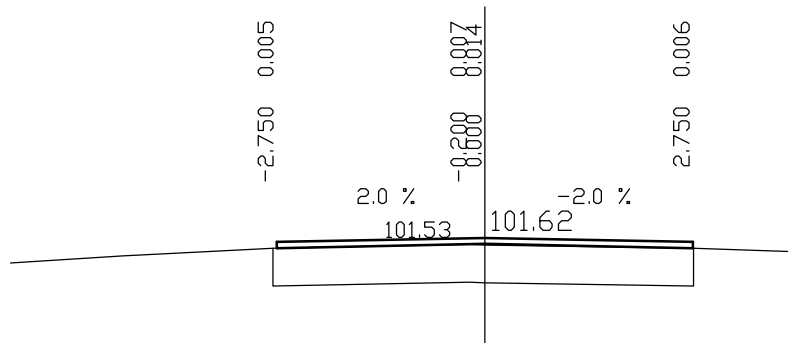
27745.30 PL=0.00 PP=0.00 W=0.0632 F=0.0000



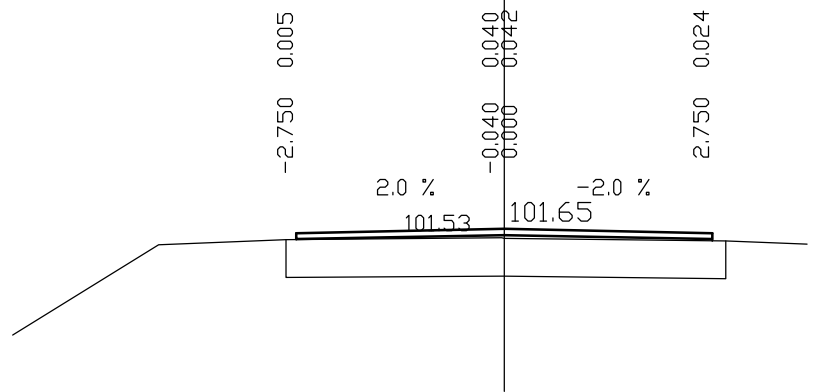
27795.30 PL=0.00 PP=0.00 W=0.1159 F=0.0000



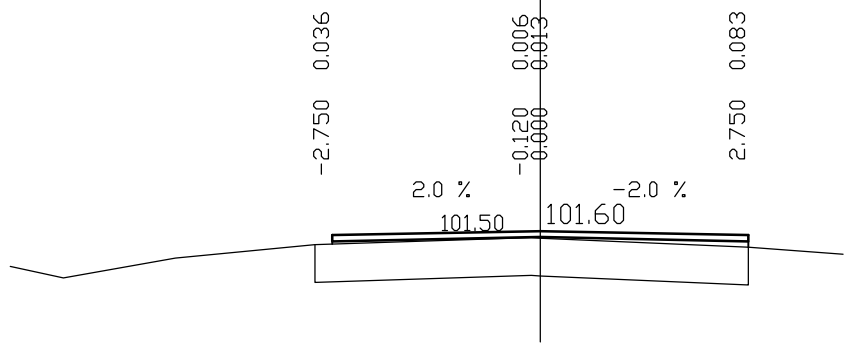
27861.10 PL=0.00 PP=0.00 W=0.0449 F=0.0000



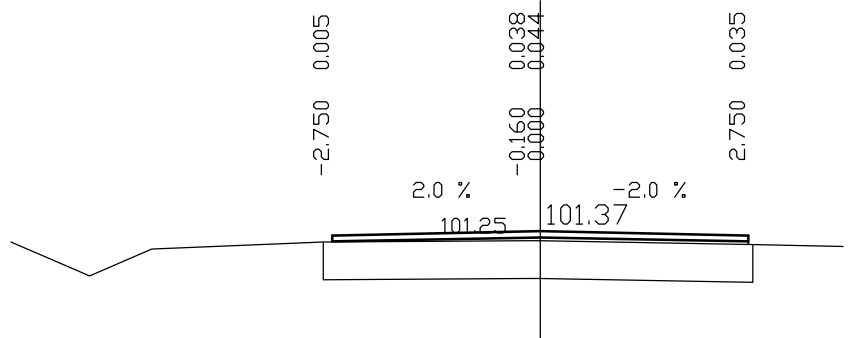
27915.50 PL=0.00 PP=0.00 W=0.1534 F=0.0000



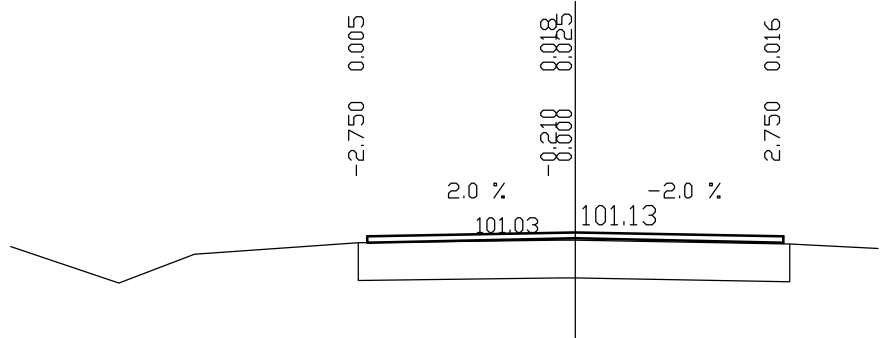
27973.90 PL=0.00 PP=0.00 W=0.1898 F=0.0000



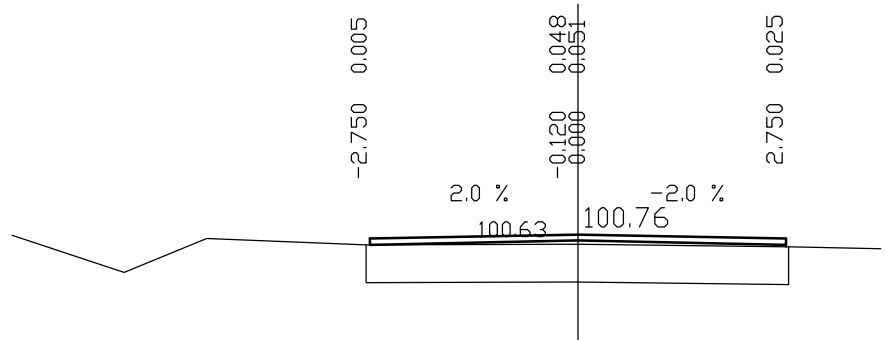
28036.10 PL=0.00 PP=0.00 W=0.1709 F=0.0000



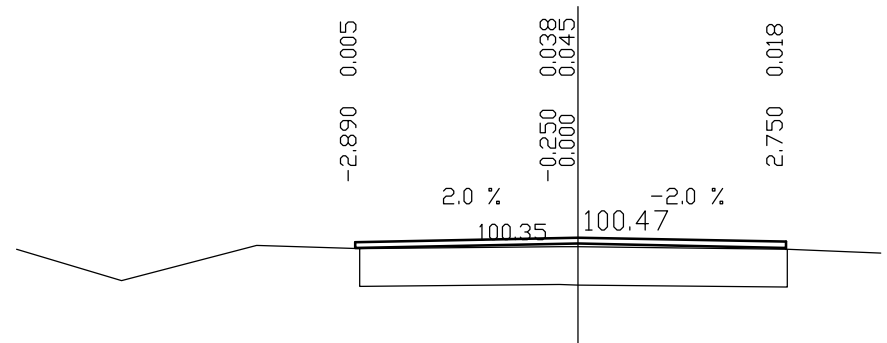
28090.40 PL=0.00 PP=0.00 W=0.0916 F=0.0000



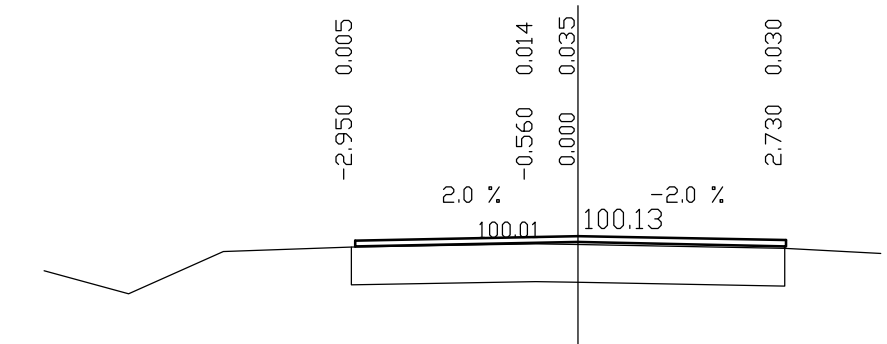
28140.80 PL=0.00 PP=0.00 W=0.1801 F=0.0000



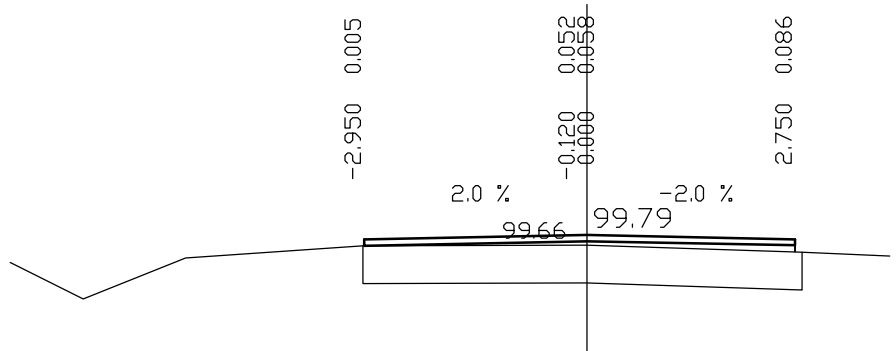
28175.20 PL=0.06 PP=0.00 W=0.1553 F=0.0000



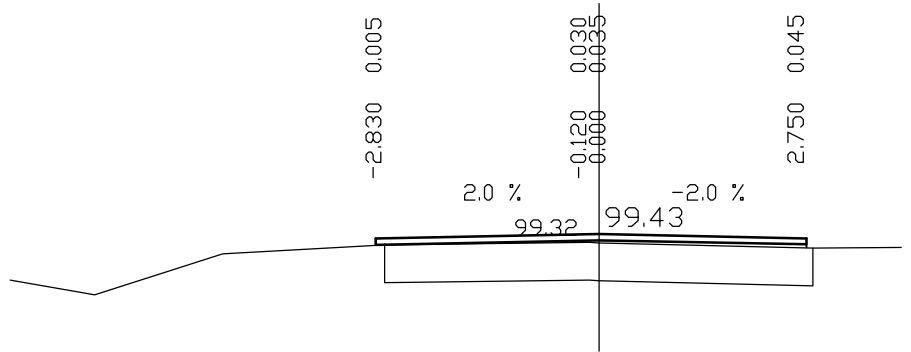
28204.90 PL=0.00 PP=0.02 W=0.1251 F=0.0000



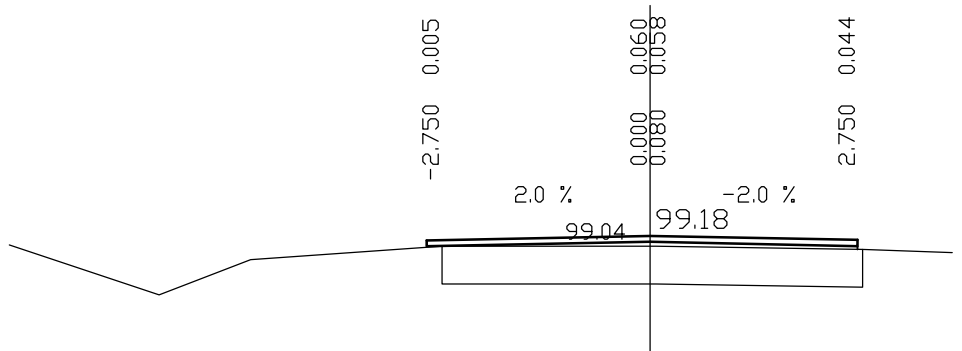
28249.50 PL=0.00 PP=0.00 W=0.2853 F=0.0000



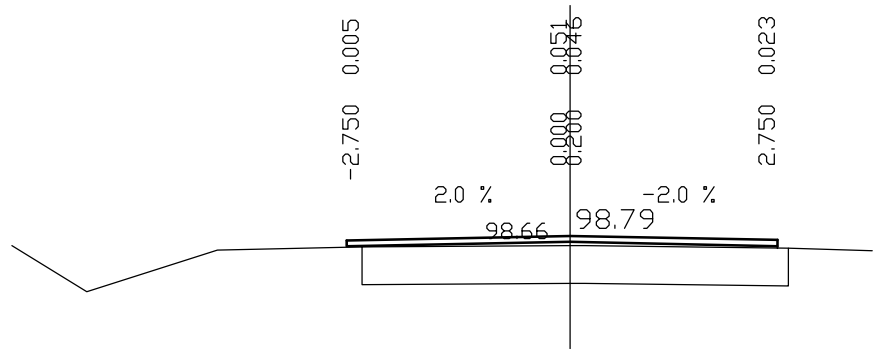
28291.50 PL=0.12 PP=0.00 W=0.1627 F=0.0000



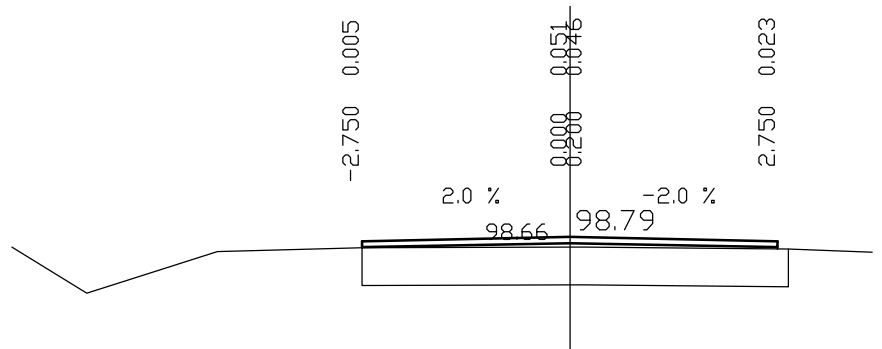
28337.20 PL=0.20 PP=0.00 W=0.2303 F=0.0000



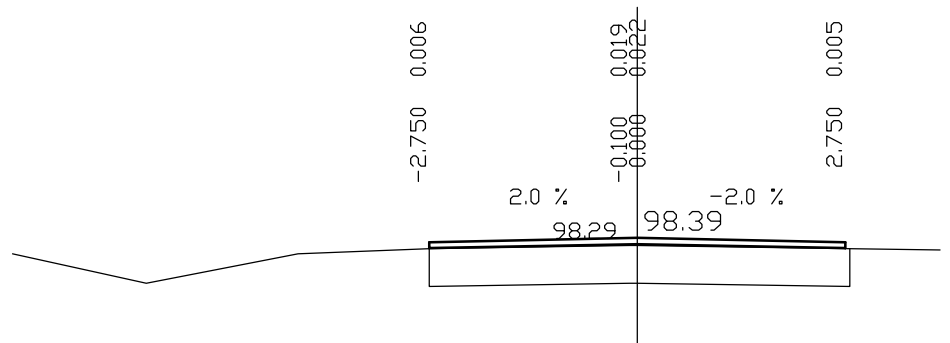
28387.40 PL=0.20 PP=0.00 W=0.1760 F=0.0000



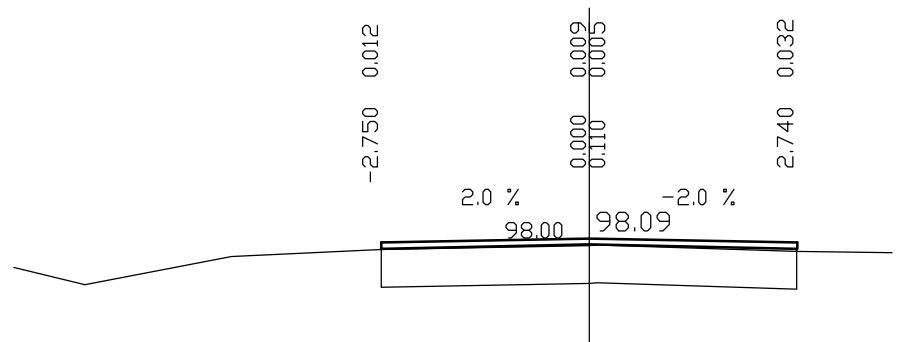
28387.40 PL=0.00 PP=0.00 W=0.1760 F=0.0000



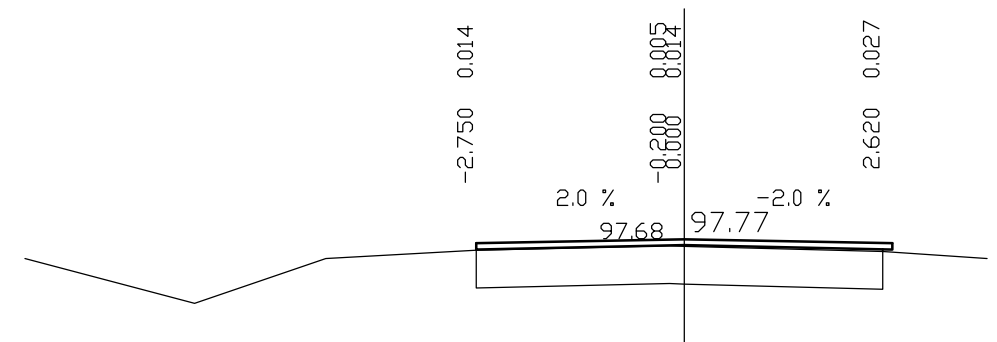
28435.30 PL=0.00 PP=0.00 W=0.0723 F=0.0000



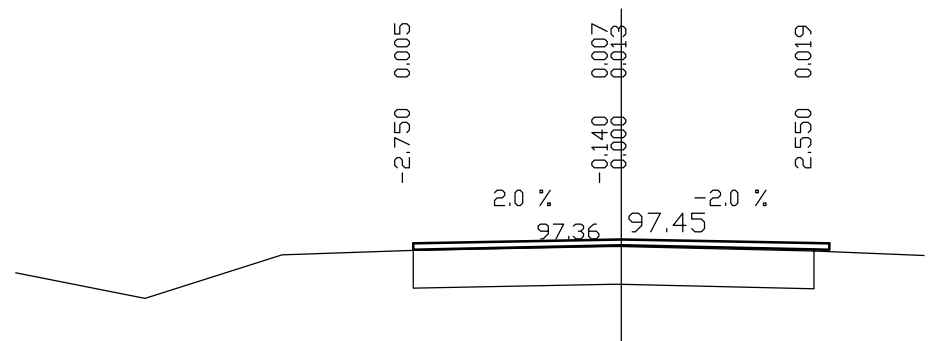
28482.80 PL=0.00 PP=0.01 W=0.0784 F=0.0000



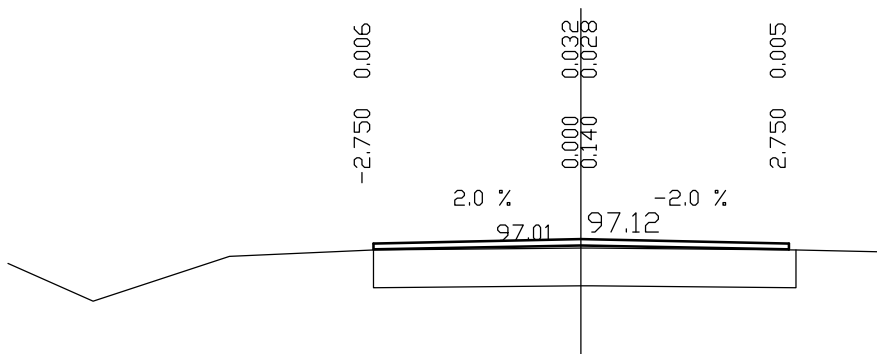
28534.30 PL=0.00 PP=0.13 W=0.0798 F=0.0000



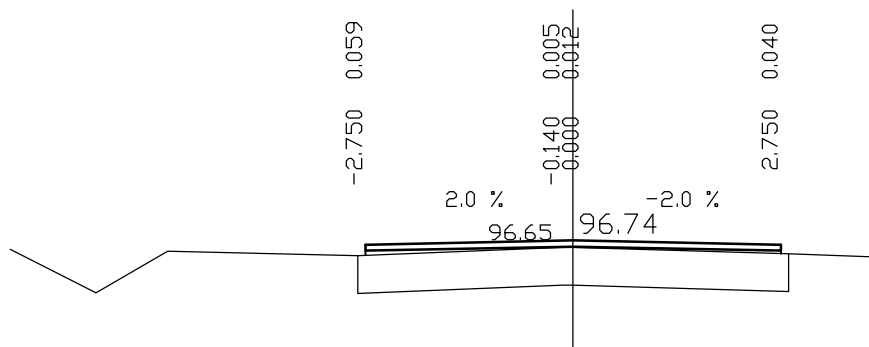
28578.50 PL=0.00 PP=0.20 W=0.0579 F=0.0000



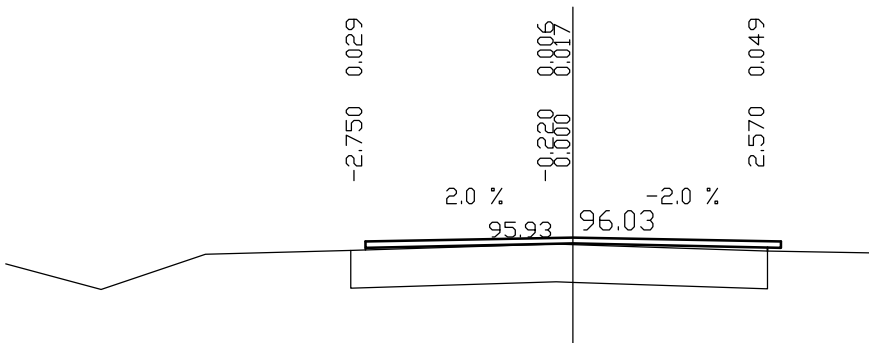
28627.40 PL=0.00 PP=0.00 W=0.1010 F=0.0000



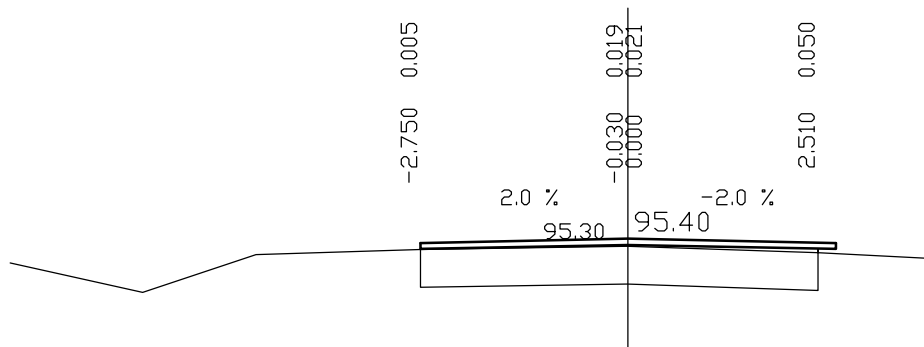
28672.70 PL=0.00 PP=0.00 W=0.1562 F=0.0000



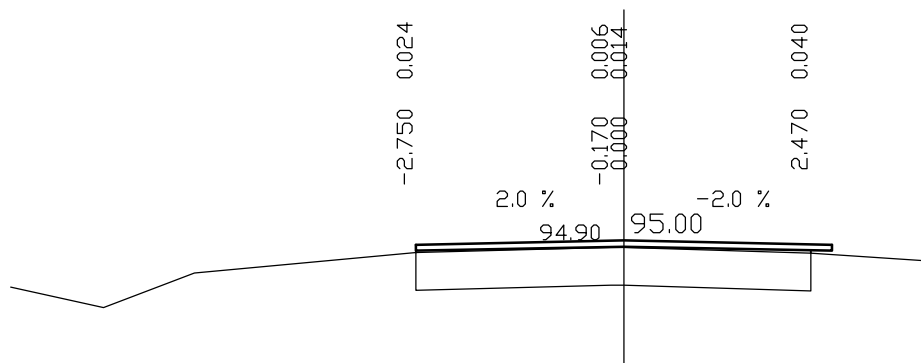
28725.00 PL=0.00 PP=0.18 W=0.1329 F=0.0000



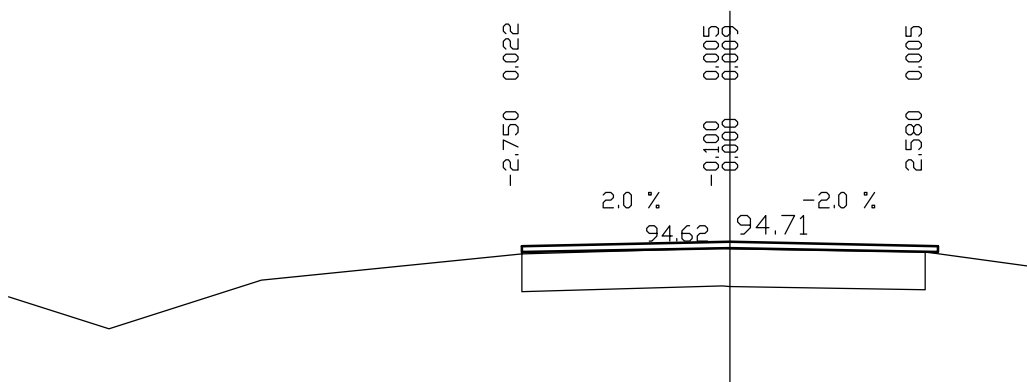
28775.40 PL=0.00 PP=0.24 W=0.1224 F=0.0000



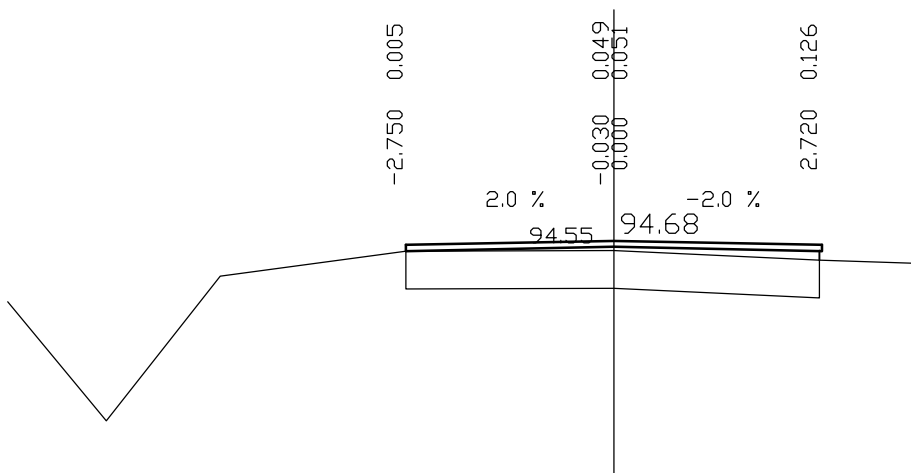
28829.70 PL=0.00 PP=0.28 W=0.1071 F=0.0000



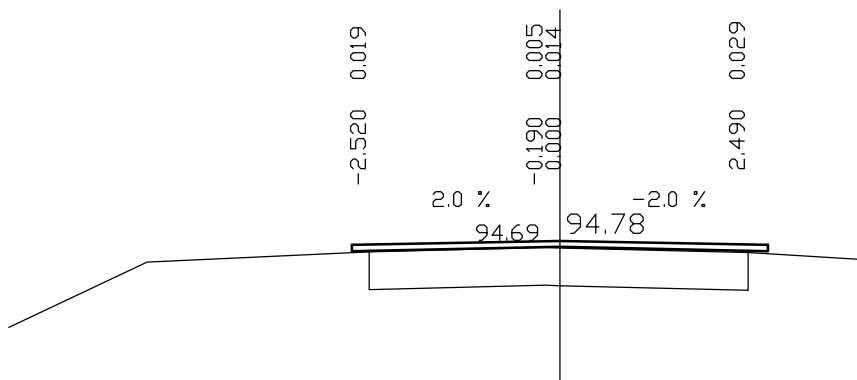
28880.00 PL=0.00 PP=0.17 W=0.0559 F=0.0000



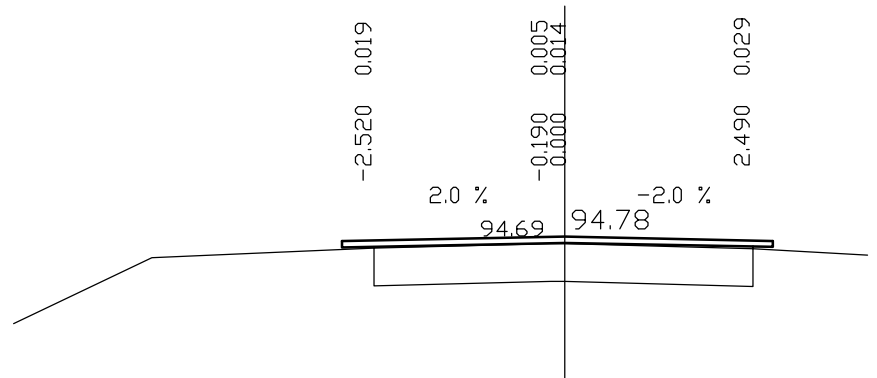
28923.00 PL=0.00 PP=0.03 W=0.3171 F=0.0000



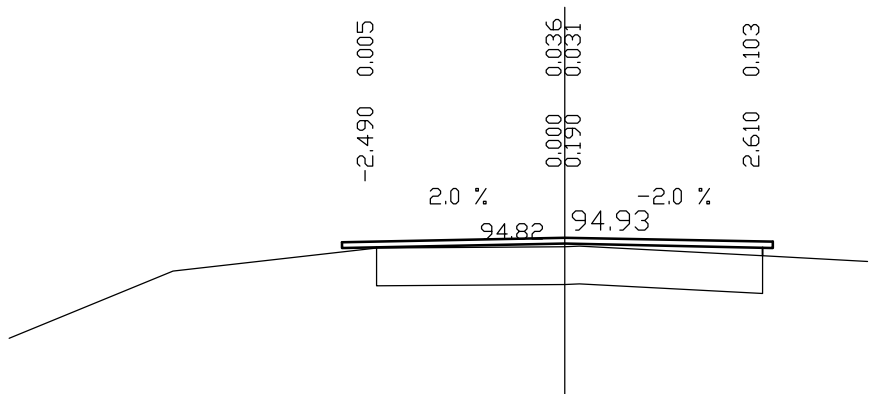
28980.00 PL=0.23 PP=0.26 W=0.0833 F=0.0000



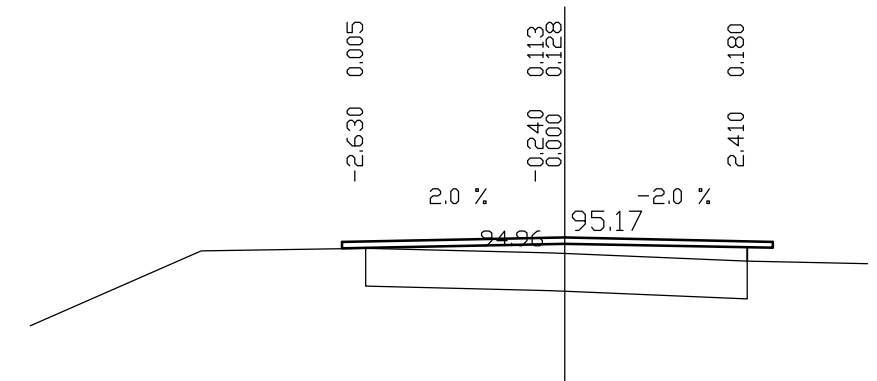
28980.00 PL=0.43 PP=0.26 W=0.0833 F=0.0000



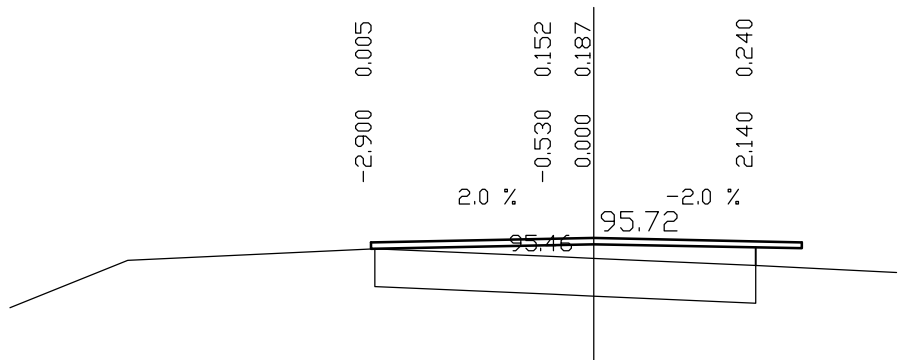
29031.50 PL=0.46 PP=0.14 W=0.2209 F=0.0000



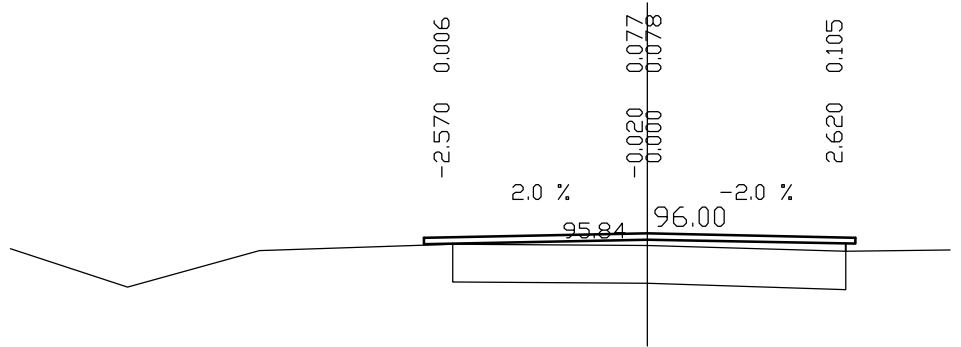
29066.70 PL=0.32 PP=0.34 W=0.5423 F=0.0000



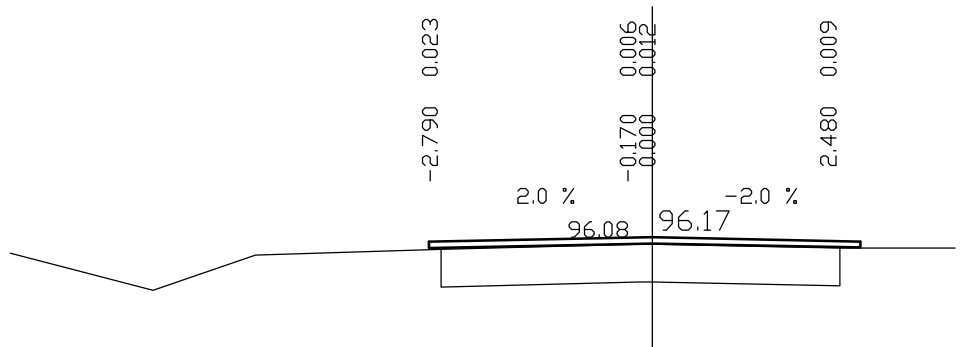
29123.20 PL=0.05 PP=0.61 W=0.7328 F=0.0000



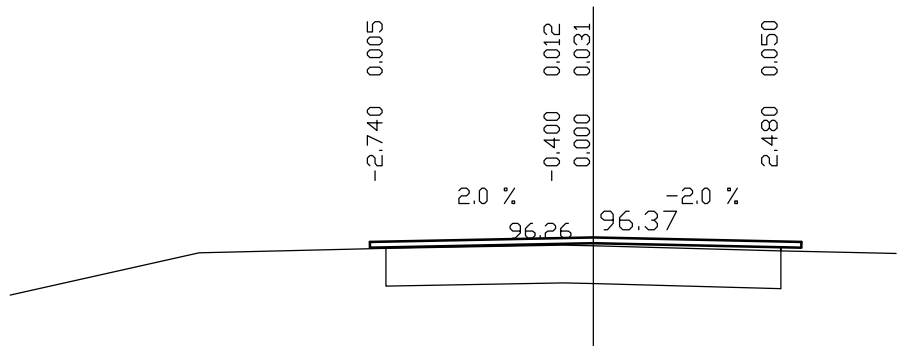
29170.00 PL=0.38 PP=0.13 W=0.3471 F=0.0000



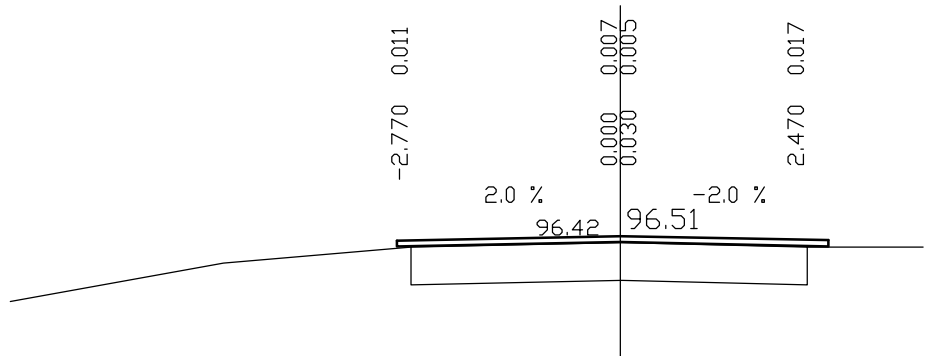
29218.90 PL=0.16 PP=0.27 W=0.0668 F=0.0000



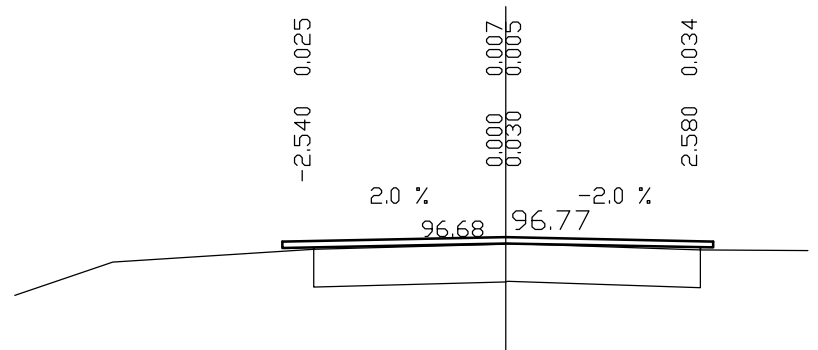
29264.70 PL=0.21 PP=0.27 W=0.1302 F=0.0000



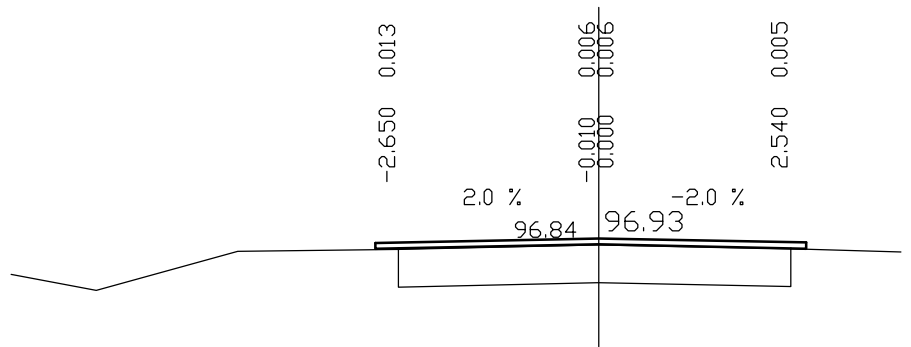
29308.30 PL=0.18 PP=0.28 W=0.0520 F=0.0000



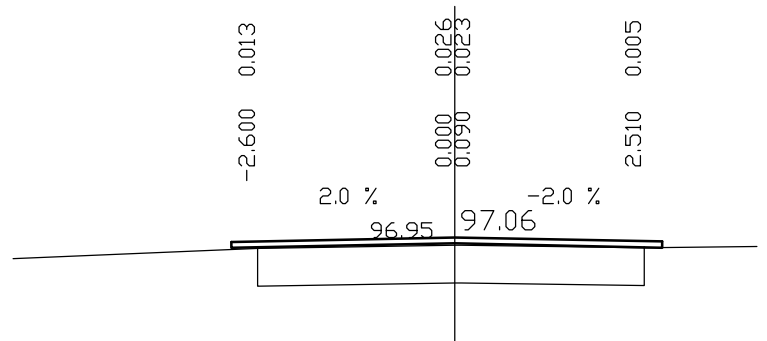
29352.60 PL=0.41 PP=0.17 W=0.0918 F=0.0000



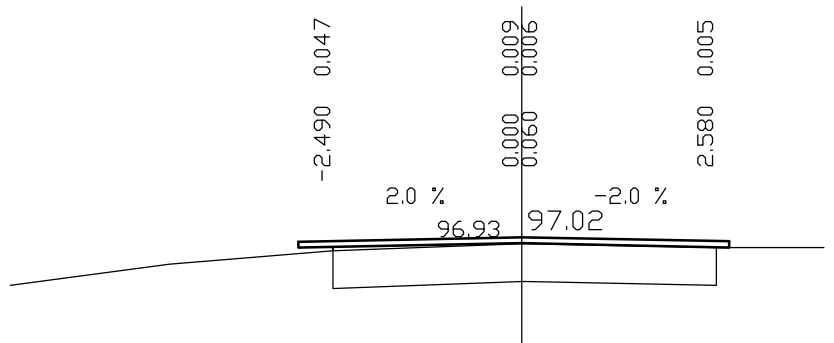
29392.50 PL=0.30 PP=0.21 W=0.0392 F=0.0000



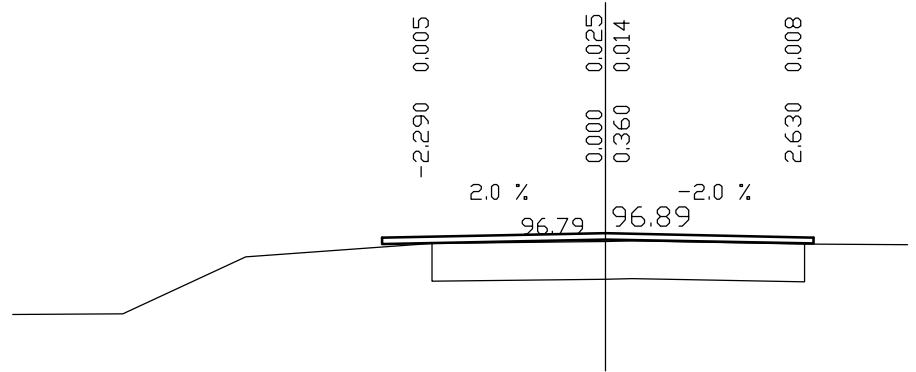
29446.70 PL=0.35 PP=0.24 W=0.0868 F=0.0000



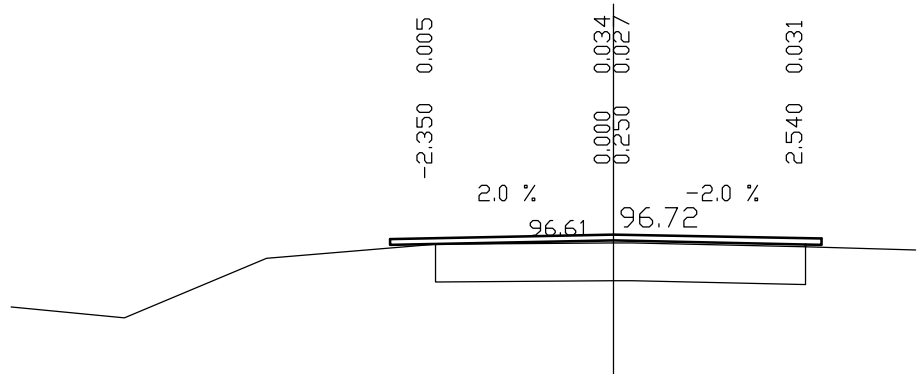
29494.80 PL=0.46 PP=0.17 W=0.0853 F=0.0000



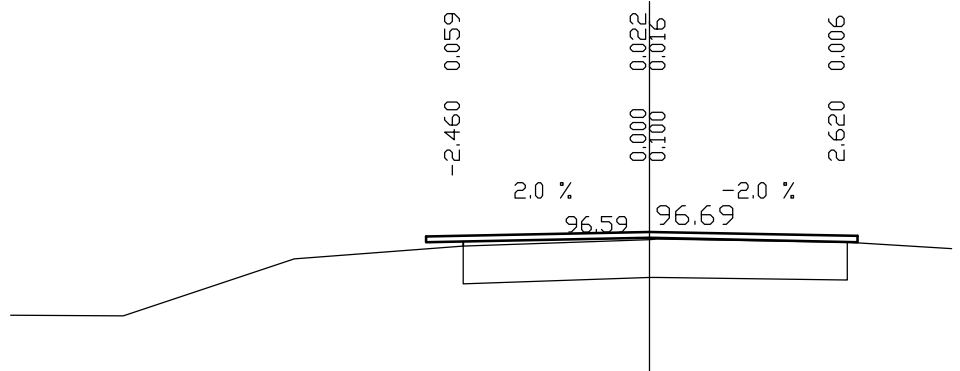
29541.30 PL=0.66 PP=0.12 W=0.0675 F=0.0000



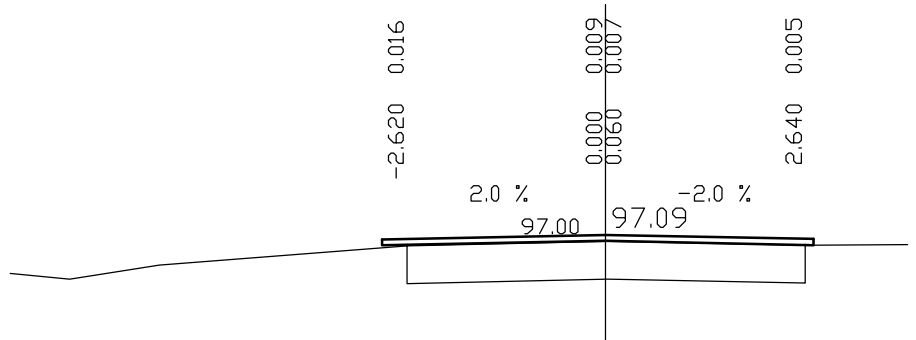
29588.20 PL=0.60 PP=0.21 W=0.1198 F=0.0000



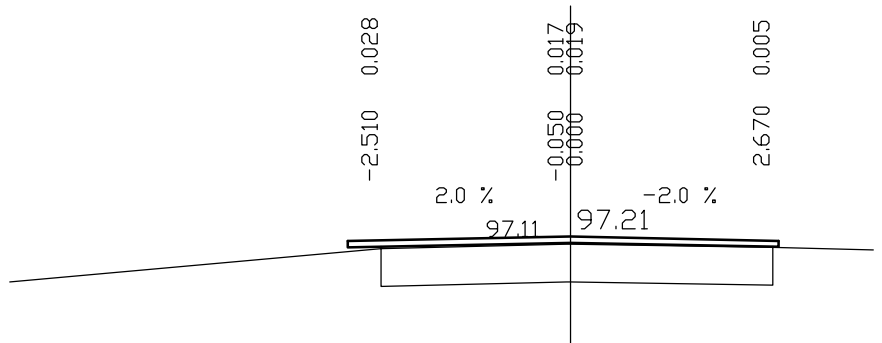
29639.20 PL=0.49 PP=0.13 W=0.1292 F=0.0000



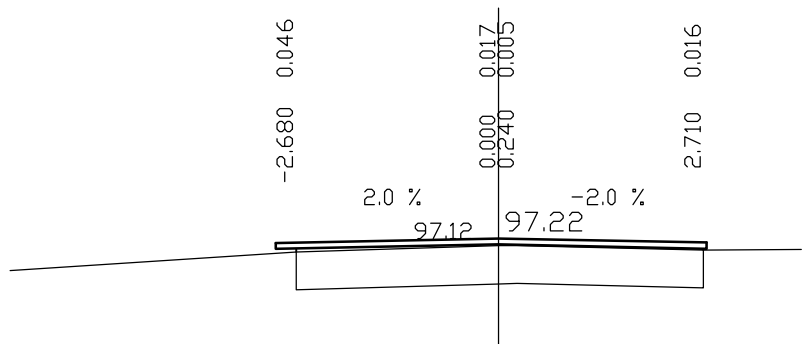
29770.50 PL=0.33 PP=0.11 W=0.0488 F=0.0000



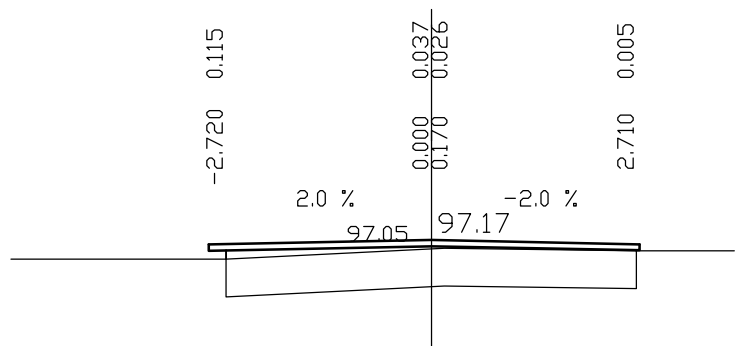
29816.00 PL=0.44 PP=0.08 W=0.0884 F=0.0000



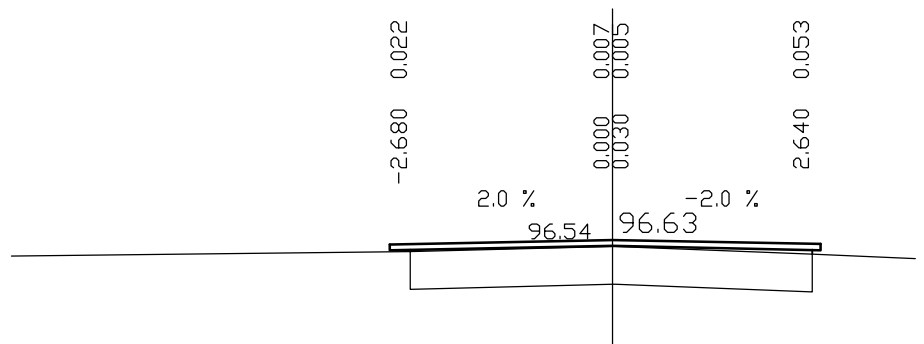
29868.70 PL=0.27 PP=0.04 W=0.1158 F=0.0000



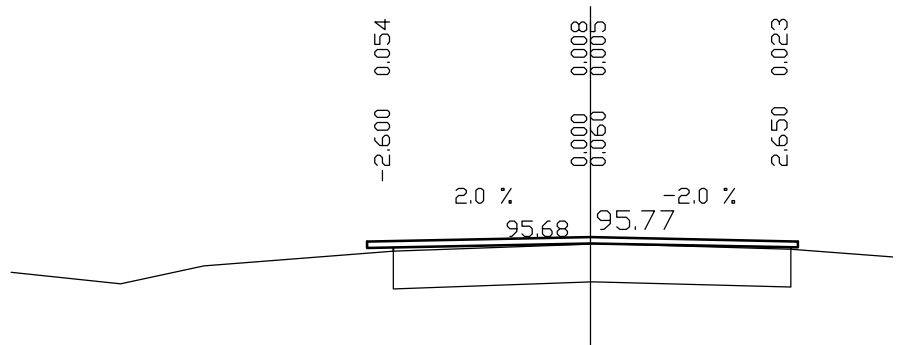
29931.80 PL=0.23 PP=0.04 W=0.2515 F=0.0000



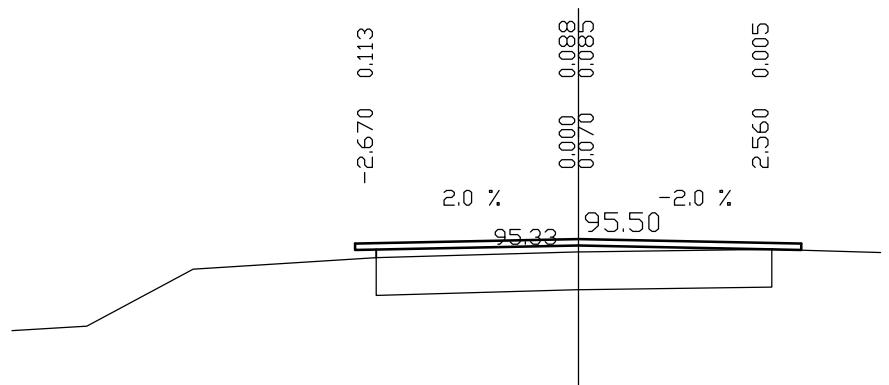
29998.30 PL=0.27 PP=0.11 W=0.1161 F=0.0000



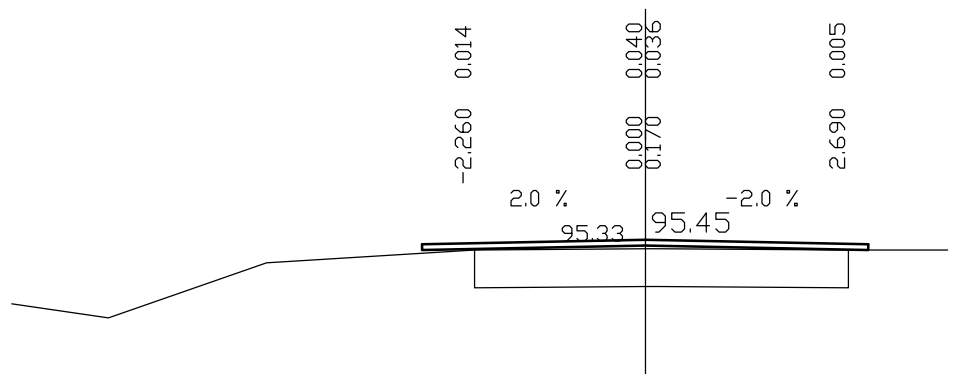
30068.80 PL=0.35 PP=0.10 W=0.1173 F=0.0000



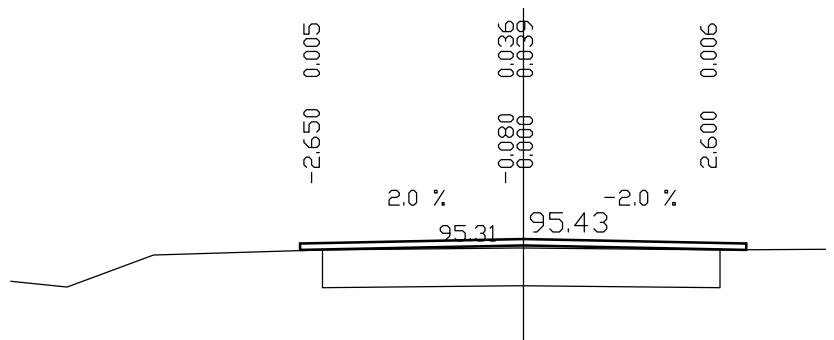
30142.80 PL=0.28 PP=0.39 W=0.3865 F=0.0000



30200.20 PL=0.69 PP=0.26 W=0.1192 F=0.0000



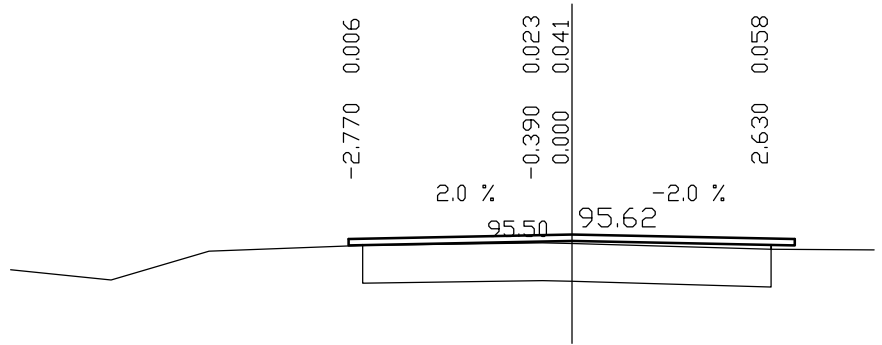
30259.20 PL=0.30 PP=0.35 W=0.1155 F=0.0000



SKALA 1: 100

ARKUSZ 57

30321.00 PL=0.18 PP=0.32 W=0.1785 F=0.0000



30348.57 PL=0.32 PP=0.28 W=0.2450 F=0.0000

