

PRZEKROJE POPRZECZNE

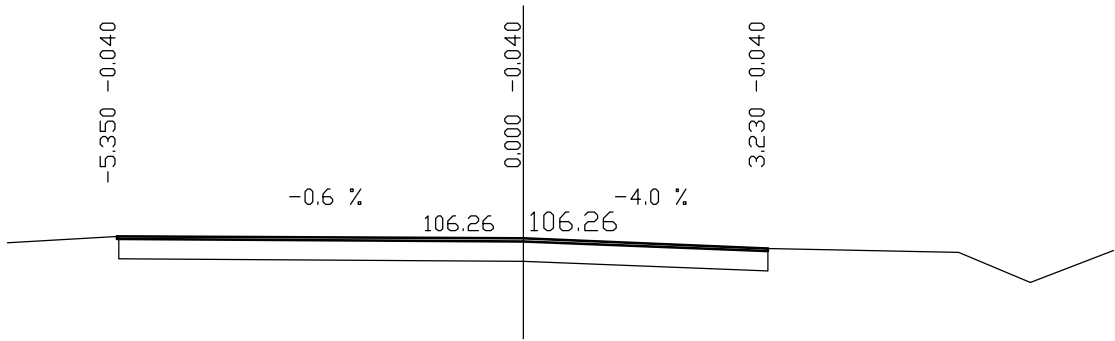
ARKUSZE OD 1 DO 58



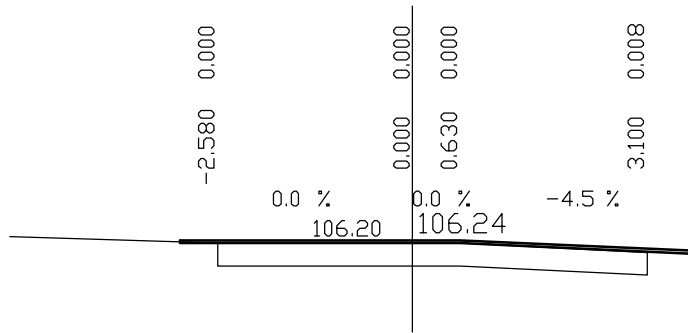
L. KLICKI, W. RUSZCZYŃSKI

<i>Tytuł opracowania:</i>		PROJEKT BUDOWLANY PRZEBUDOWY DP GŁADCZYN ZATORY POPOWO	
<i>Tytuł rysunku:</i>	PRZEKROJE POPRZECZNE WYRÓWNANIE BA	<i>Rys. nr:</i> 5	<i>Skala:</i> 1:100
<i>Opracował:</i> mgr inż. W. Ruszczyński	<i>Pracownia:</i> Drogowa	<i>Data:</i> 08 -2005	
<i>Kierownik projektu:</i> mgr inż. L. Klicki 7342/Cie- 19/93	<i>Sprawdzający:</i> / - /	<i>Nr umowy:</i> -	

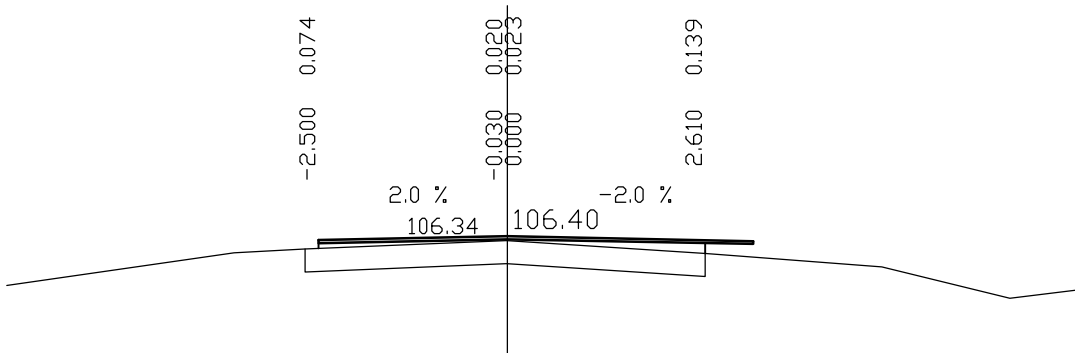
9.00 PL=0.03 PP=0.00 W=0.0000 F=0.3432



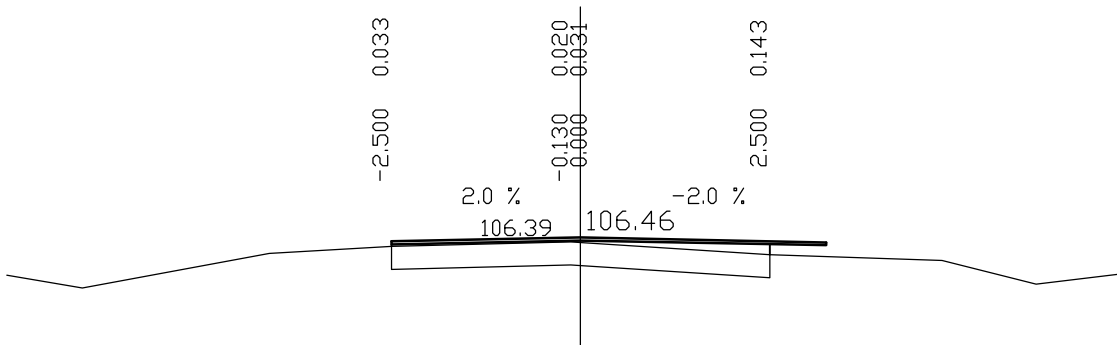
11.80 PL=0.50 PP=0.63 W=0.0111 F=0.0000



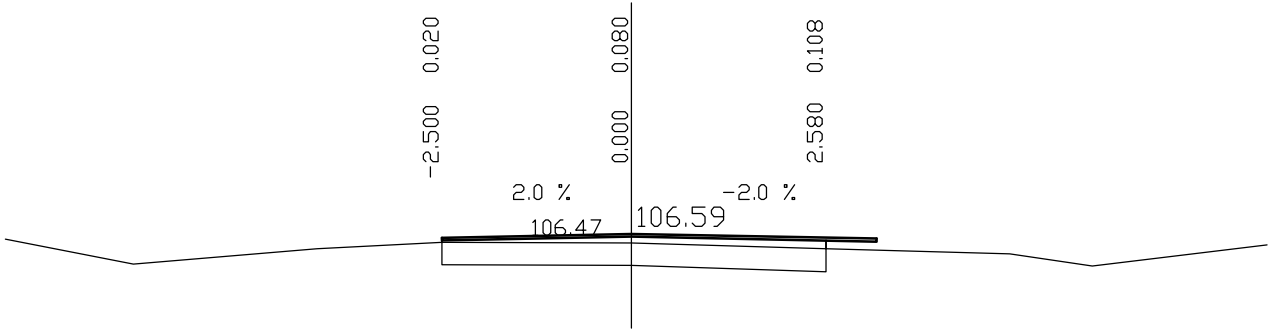
49.70 PL=0.00 PP=0.64 W=0.3294 F=0.0000



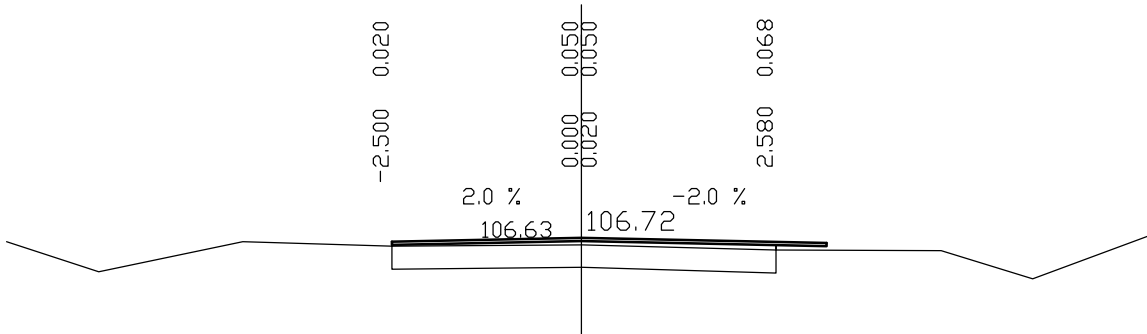
99.80 PL=0.00 PP=0.75 W=0.2836 F=0.0000



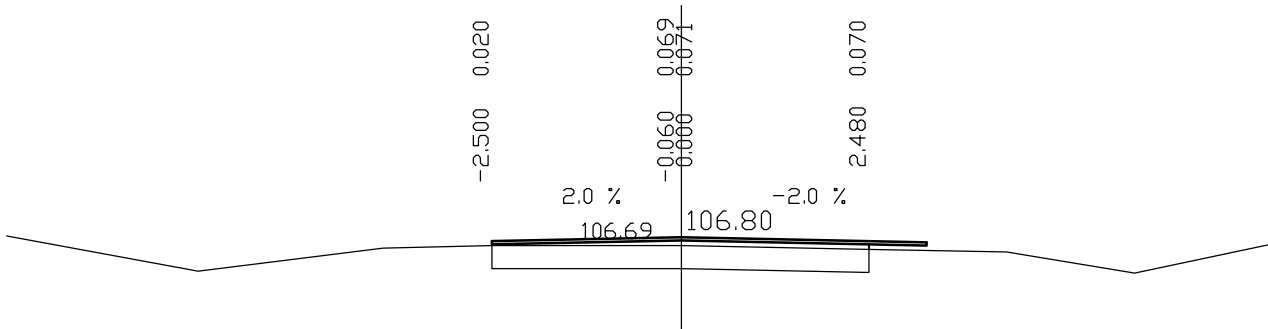
151.50 PL=0.00 PP=0.67 W=0.3675 F=0.0000



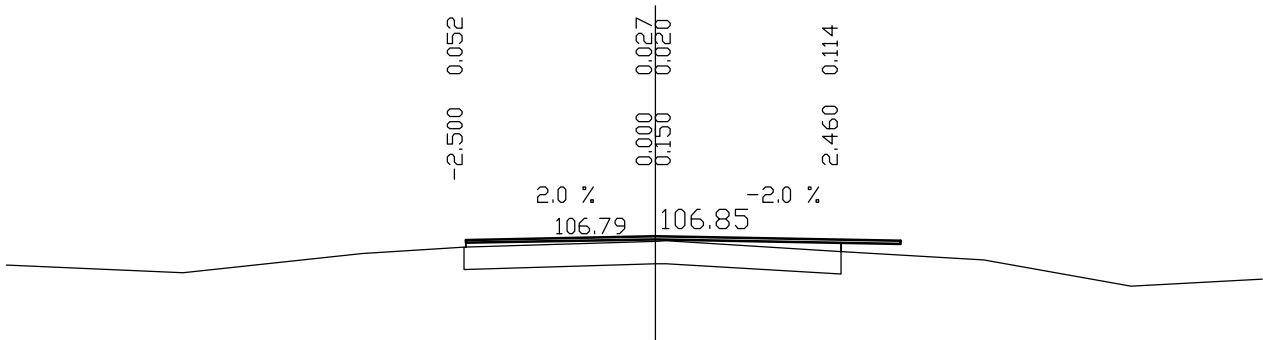
214.80 PL=0.00 PP=0.67 W=0.2395 F=0.0000



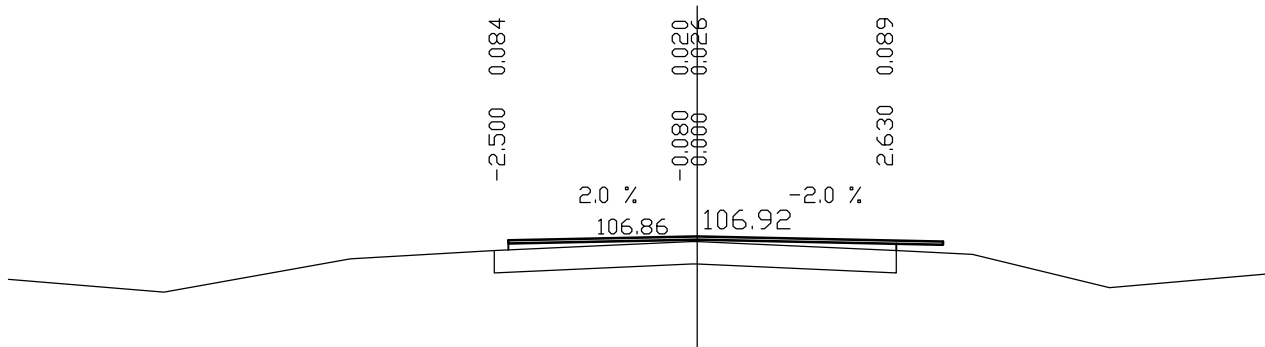
265.40 PL=0.00 PP=0.77 W=0.2889 F=0.0000



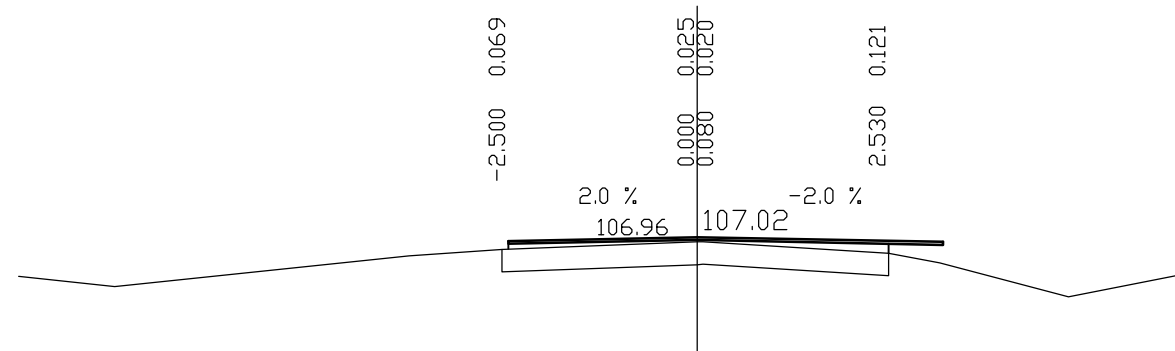
318.50 PL=0.00 PP=0.79 W=0.2584 F=0.0000



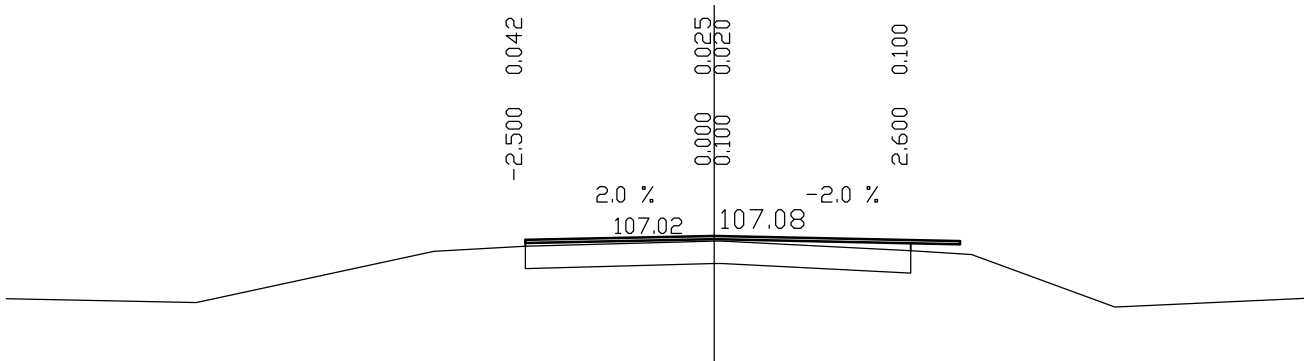
370.30 PL=0.00 PP=0.62 W=0.2789 F=0.0000



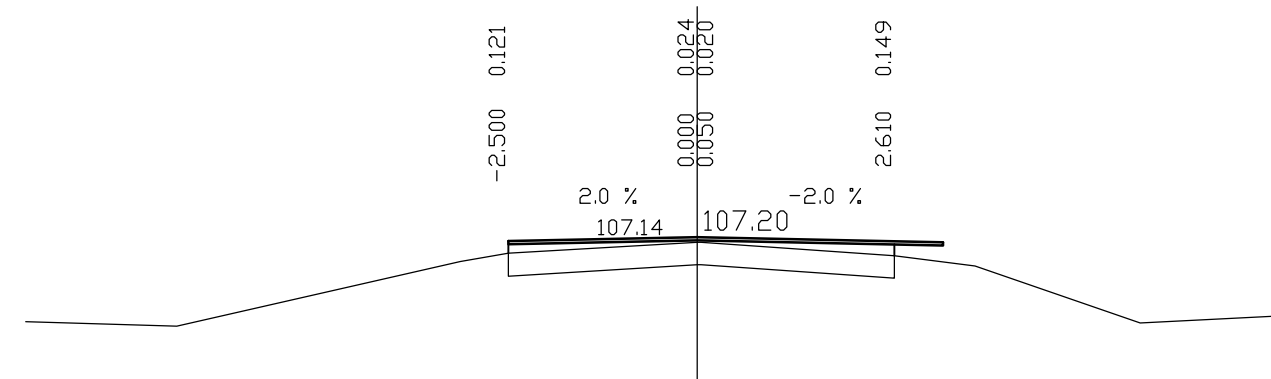
425.40 PL=0.00 PP=0.72 W=0.2945 F=0.0000



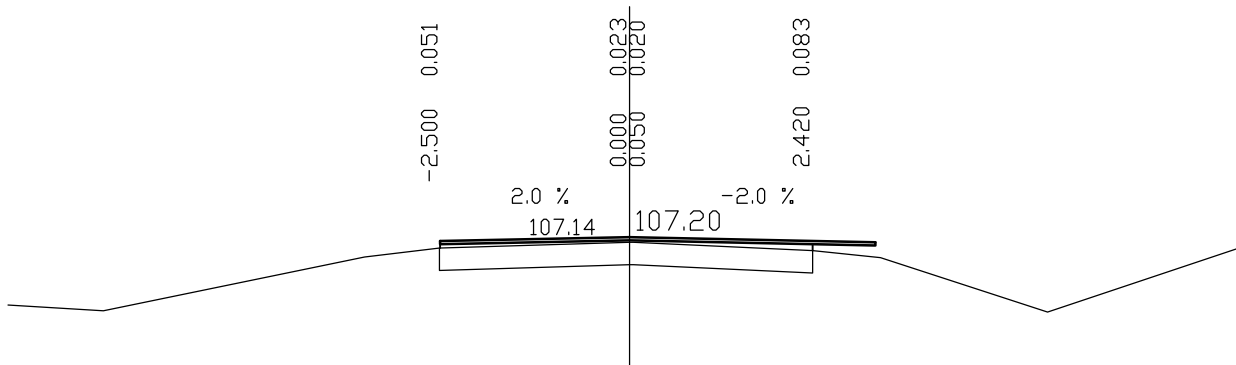
477.20 PL=0.00 PP=0.65 W=0.2361 F=0.0000



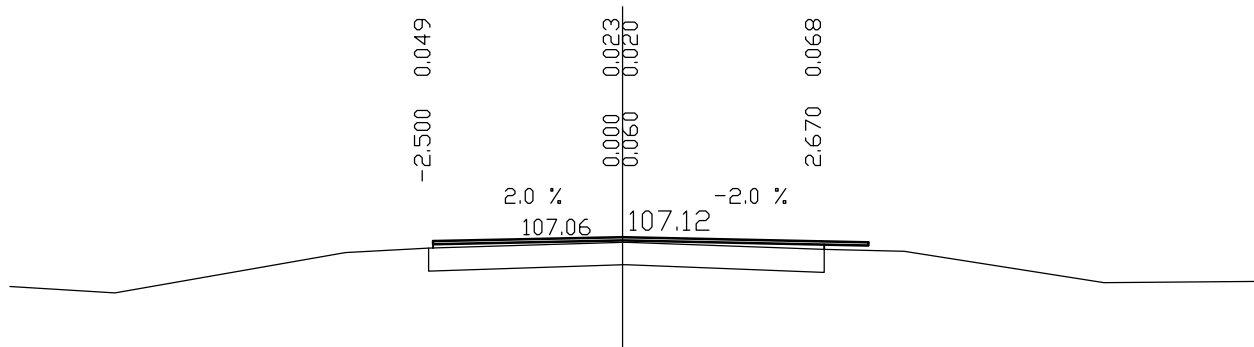
522.30 PL=0.00 PP=0.64 W=0.3987 F=0.0000



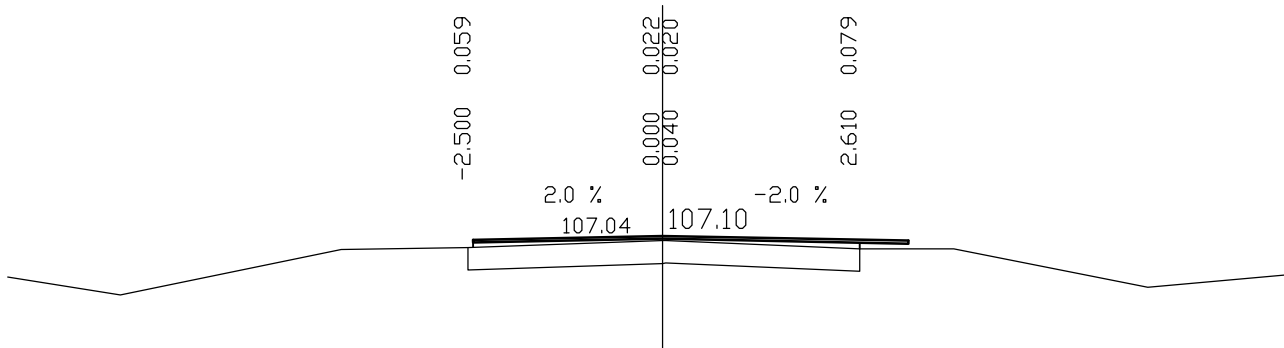
574.80 PL=0.00 PP=0.83 W=0.2157 F=0.0000



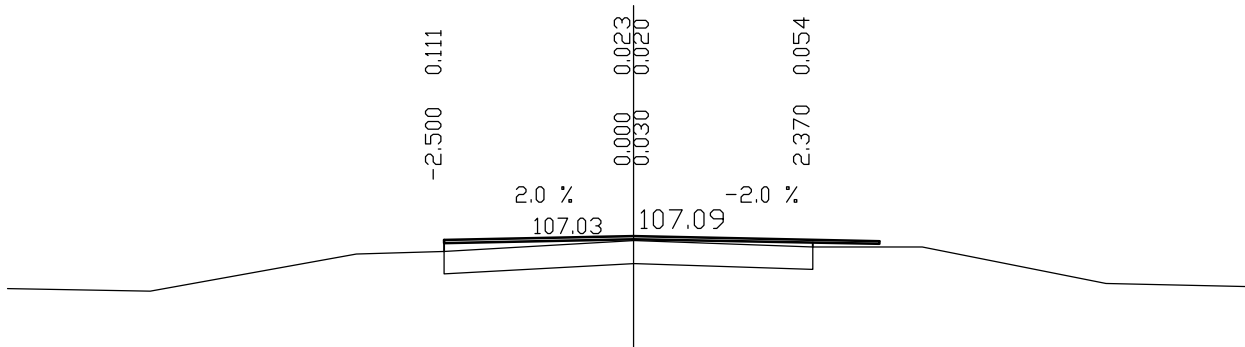
623.70 PL=0.00 PP=0.58 W=0.2062 F=0.0000



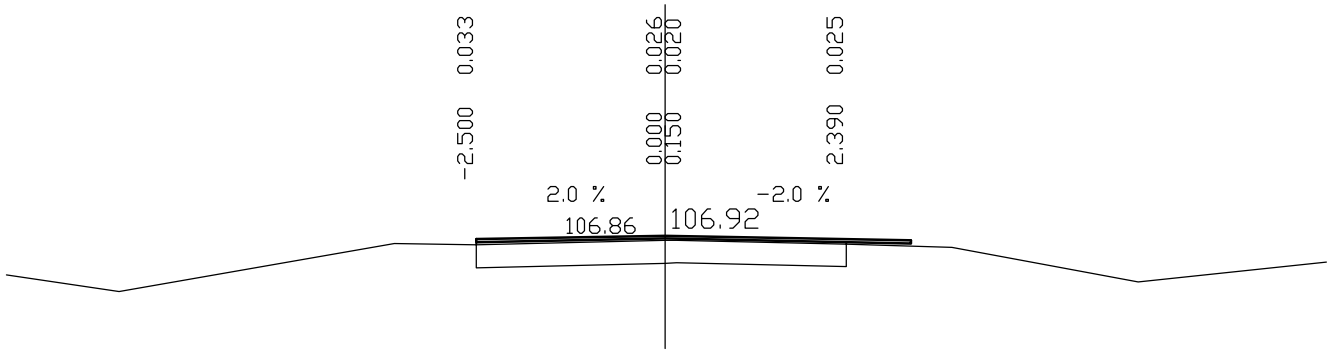
677.00 PL=0.00 PP=0.64 W=0.2293 F=0.0000



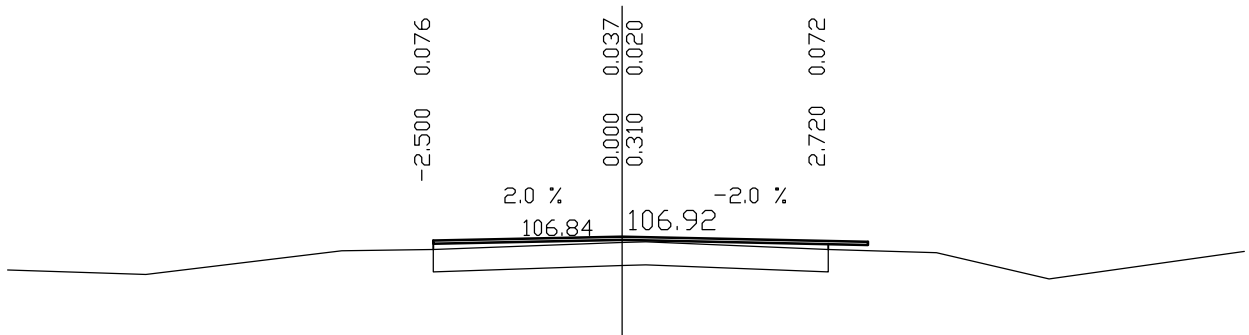
724.30 PL=0.00 PP=0.88 W=0.2560 F=0.0000



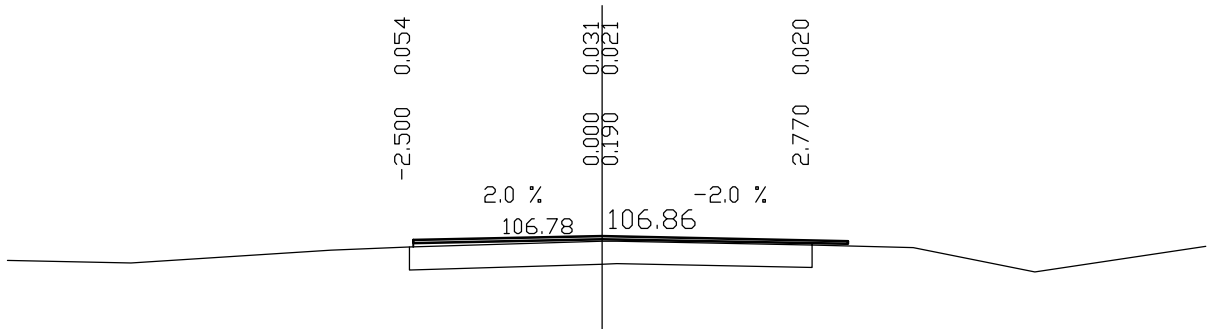
777.30 PL=0.00 PP=0.86 W=0.1277 F=0.0000



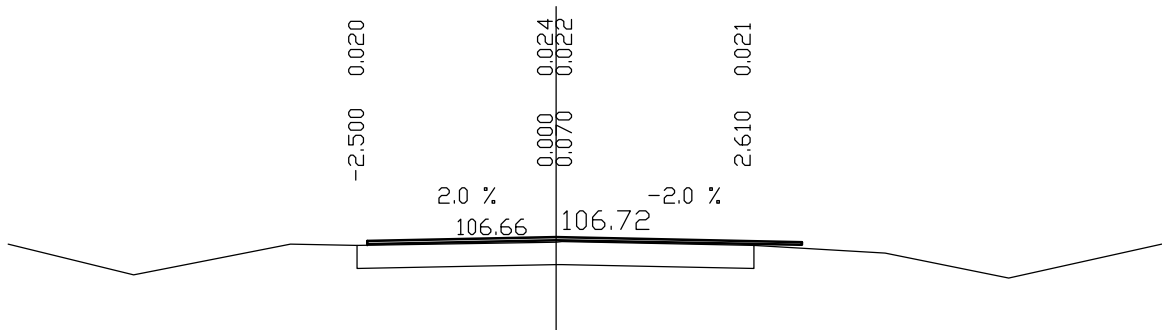
832.30 PL=0.00 PP=0.53 W=0.2610 F=0.0000



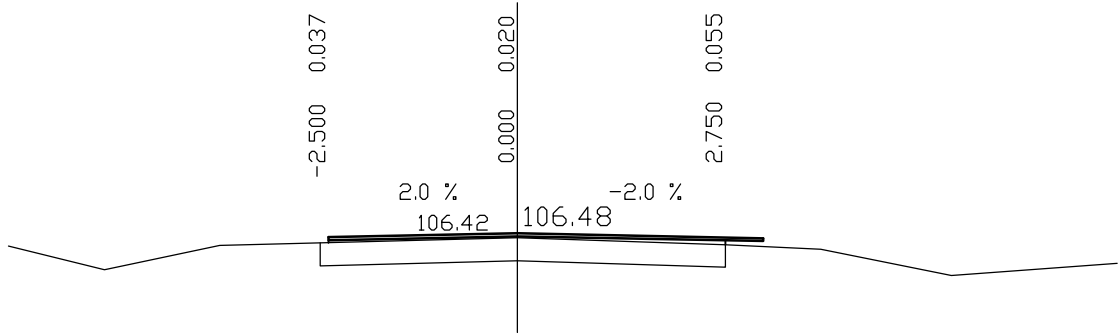
886.30 PL=0.00 PP=0.48 W=0.1641 F=0.0000



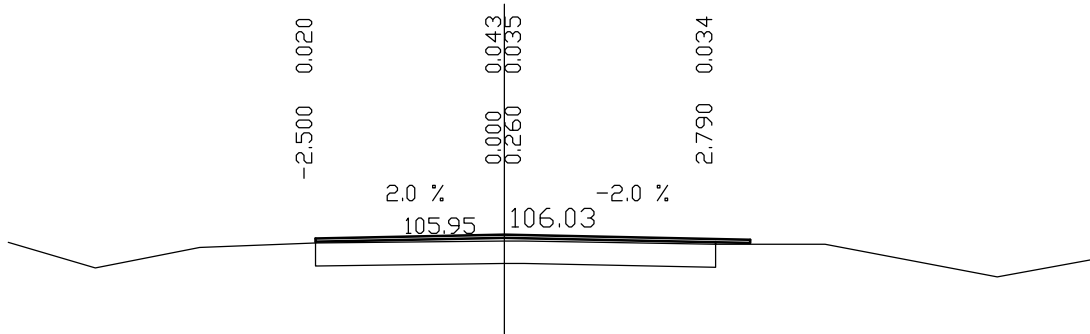
940.40 PL=0.00 PP=0.64 W=0.1125 F=0.0000



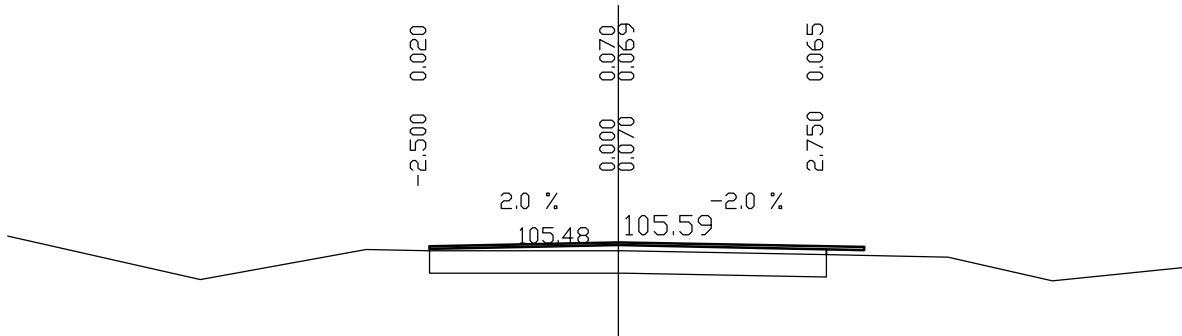
987.10 PL=0.00 PP=0.50 W=0.1744 F=0.0000



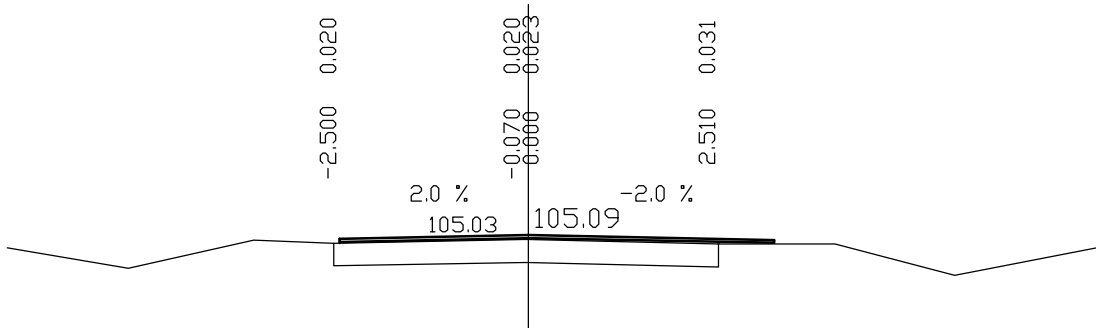
1037.30 PL=0.00 PP=0.46 W=0.1762 F=0.0000



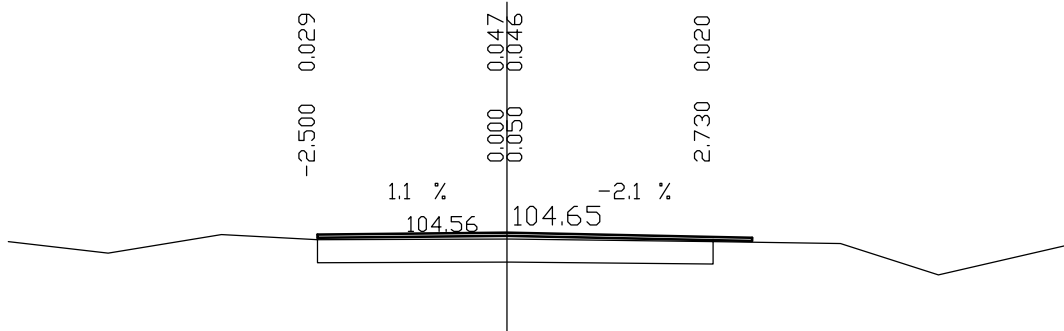
1084.90 PL=0.00 PP=0.50 W=0.2970 F=0.0000



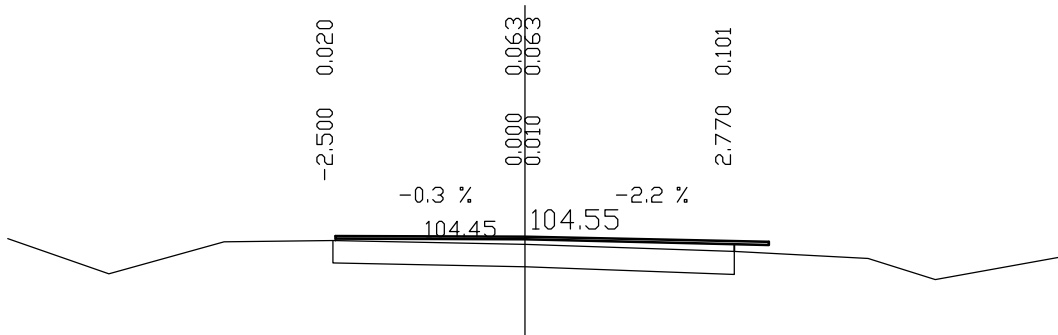
1134.40 PL=0.00 PP=0.74 W=0.1179 F=0.0000



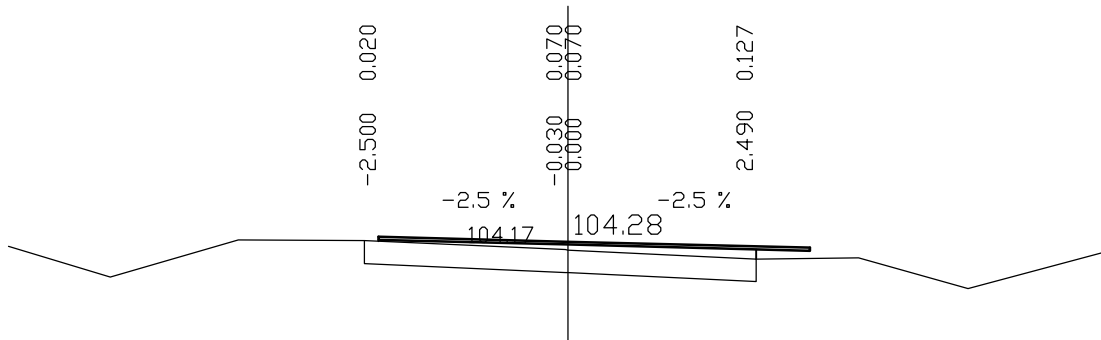
1182.20 PL=0.00 PP=0.51 W=0.1858 F=0.0000



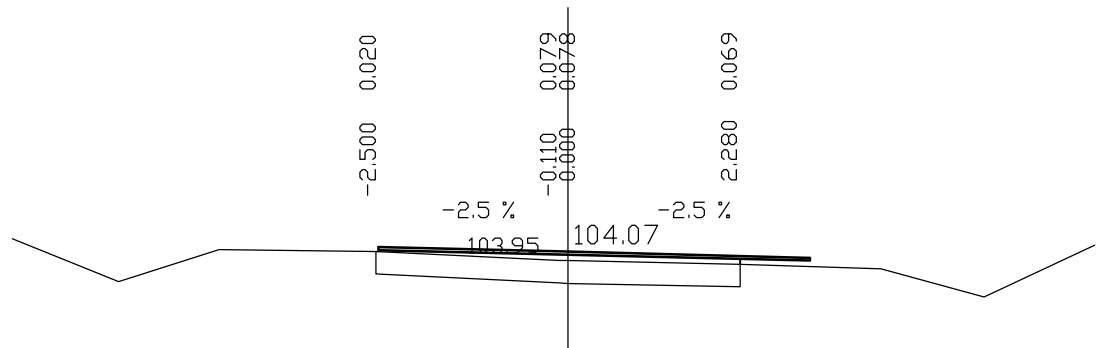
1200.80 PL=0.00 PP=0.46 W=0.3307 F=0.0000



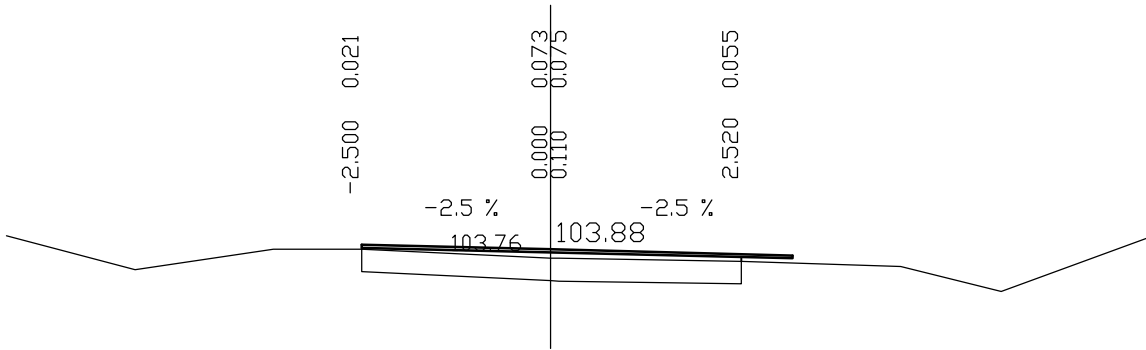
1231.50 PL=0.00 PP=0.71 W=0.3598 F=0.0000



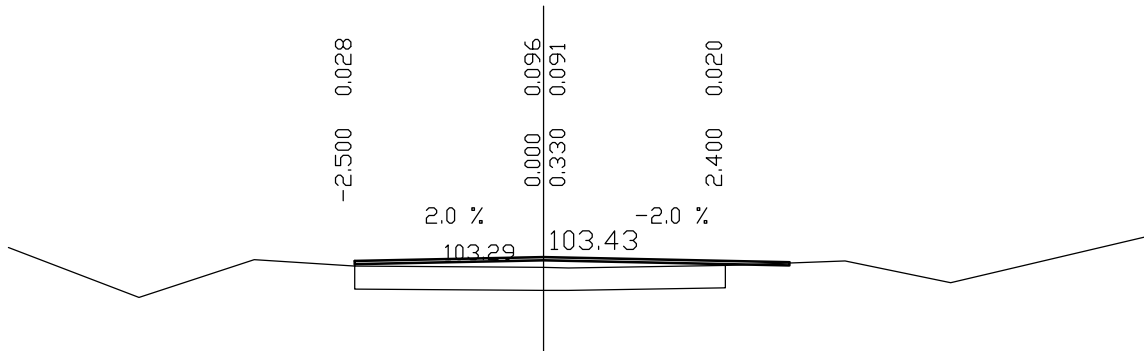
1248.80 PL=0.00 PP=0.92 W=0.2957 F=0.0000



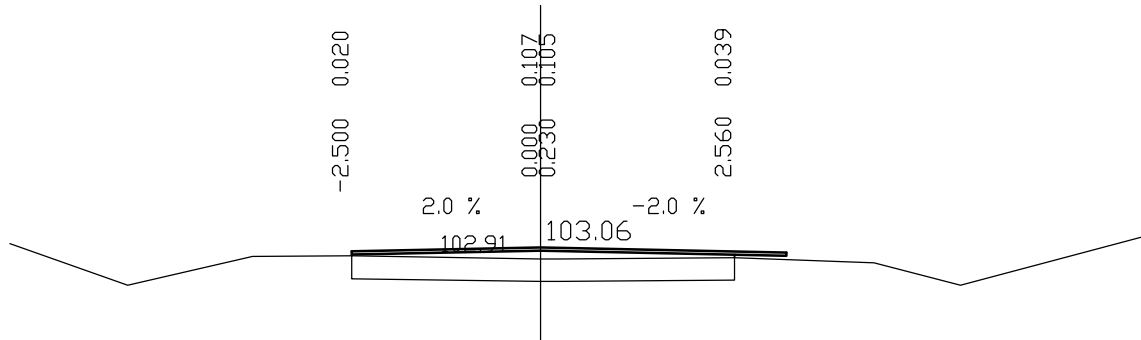
1267.60 PL=0.00 PP=0.68 W=0.2823 F=0.0000



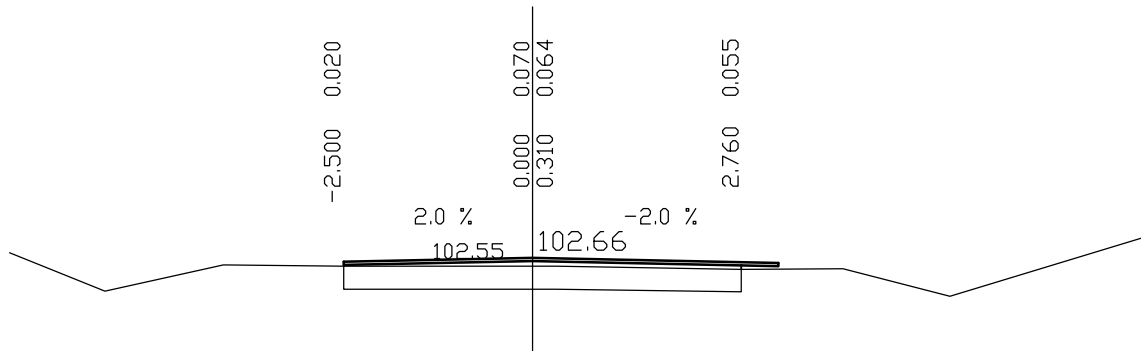
1316.70 PL=0.00 PP=0.85 W=0.3019 F=0.0000



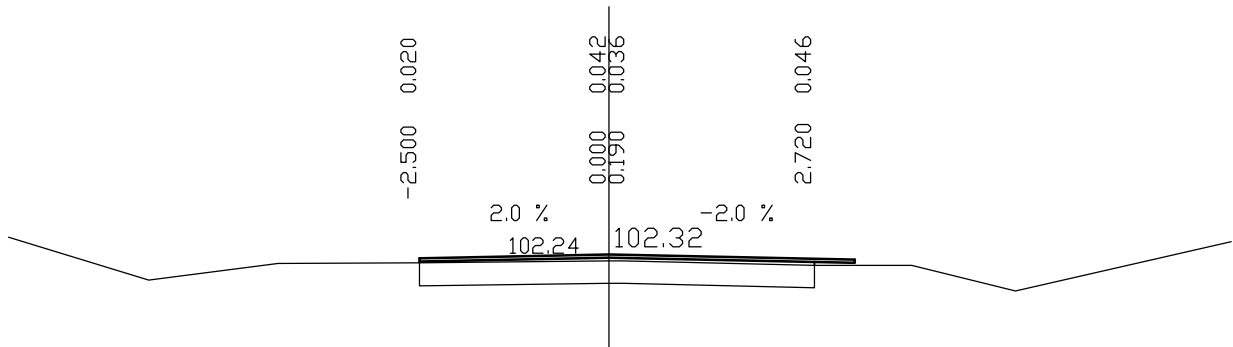
1368.20 PL=0.00 PP=0.69 W=0.3510 F=0.0000



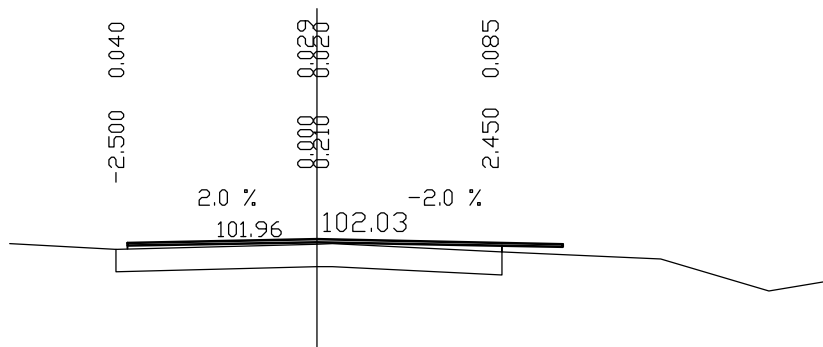
1420.60 PL=0.00 PP=0.49 W=0.2791 F=0.0000



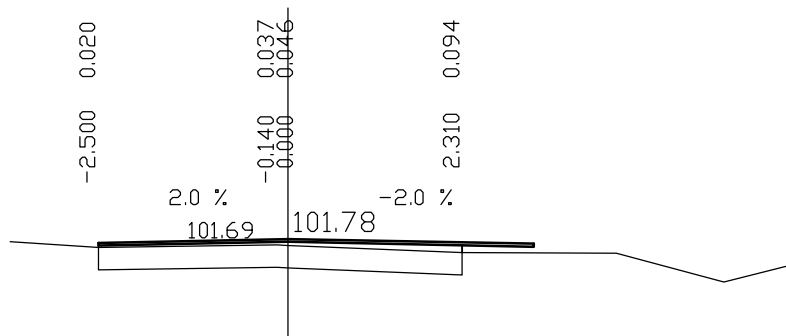
1470.70 PL=0.00 PP=0.53 W=0.1886 F=0.0000



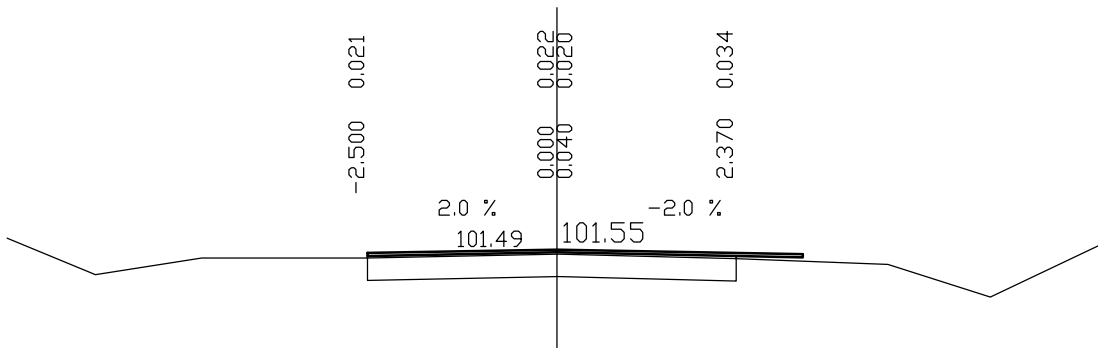
1521.70 PL=0.00 PP=0.80 W=0.2091 F=0.0000



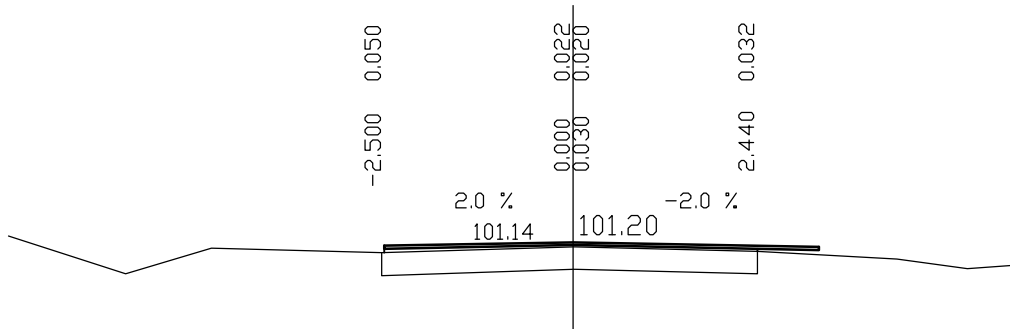
1573.70 PL=0.00 PP=0.94 W=0.2348 F=0.0000



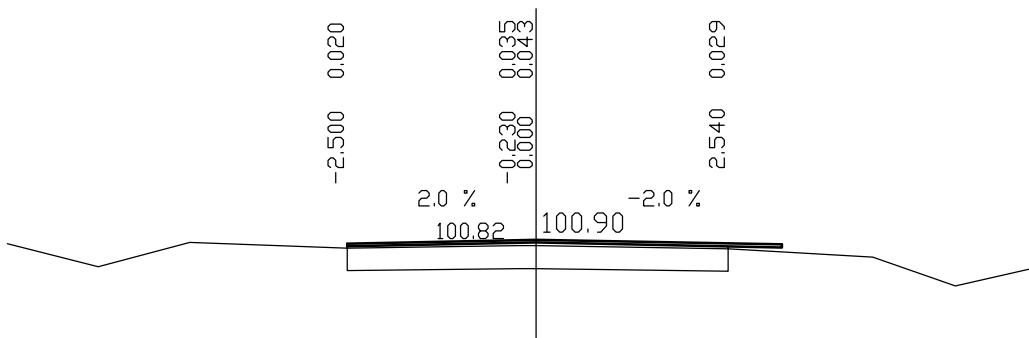
1618.20 PL=0.00 PP=0.88 W=0.1175 F=0.0000



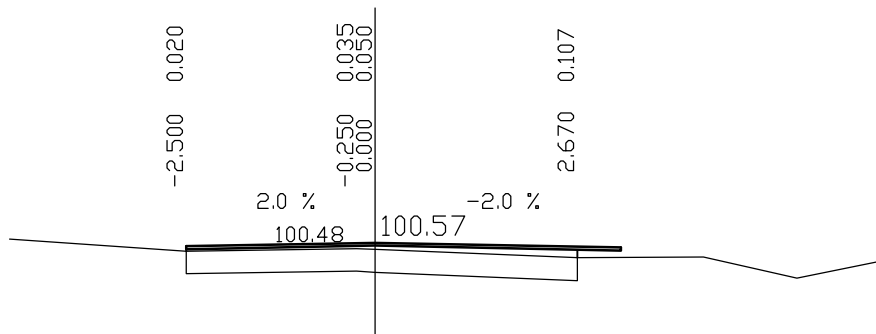
1674.50 PL=0.00 PP=0.81 W=0.1533 F=0.0000



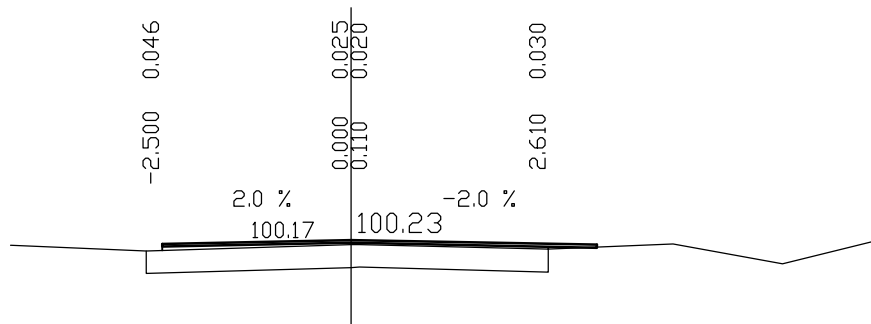
1724.30 PL=0.00 PP=0.71 W=0.1641 F=0.0000



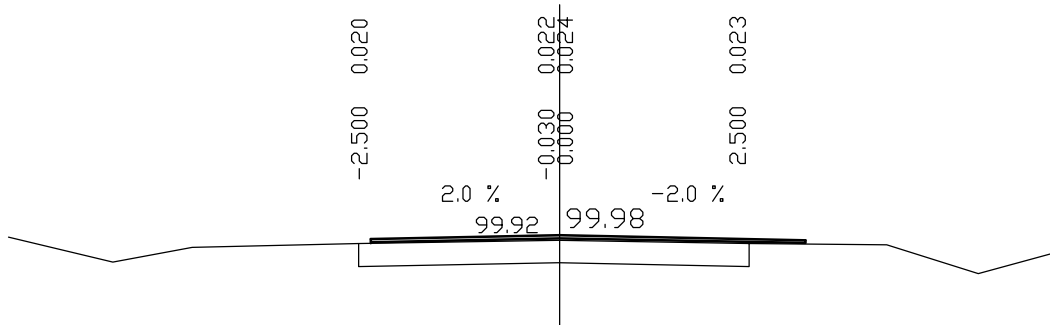
1771.80 PL=0.00 PP=0.58 W=0.2821 F=0.0000



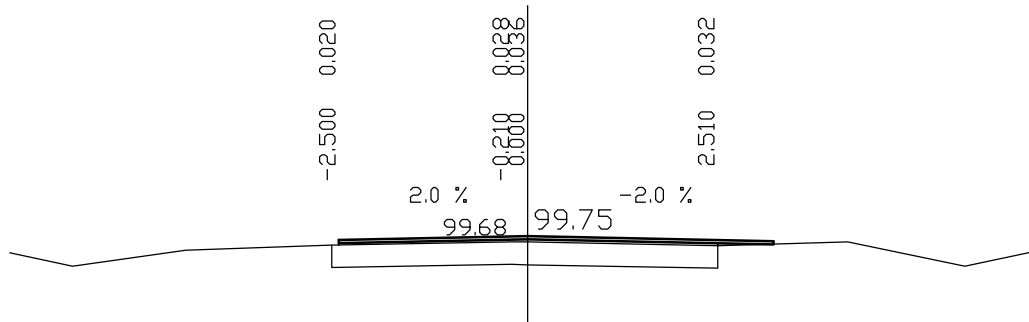
1818.20 PL=0.00 PP=0.64 W=0.1538 F=0.0000



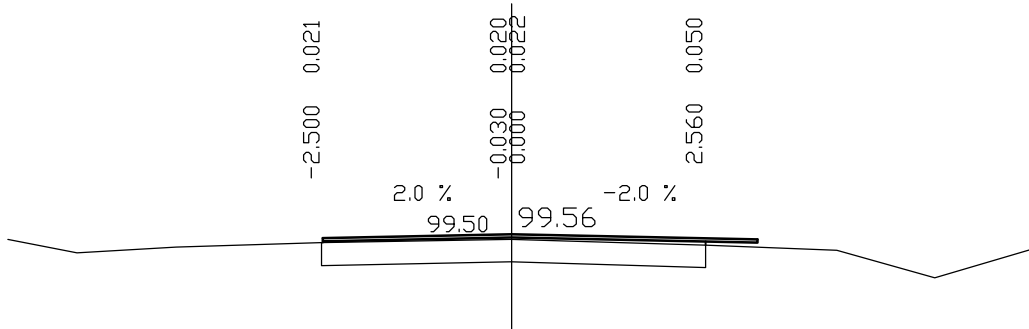
1866.30 PL=0.00 PP=0.75 W=0.1126 F=0.0000



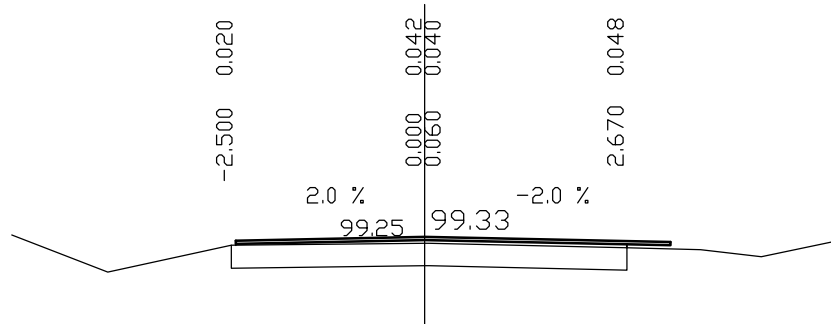
1918.00 PL=0.00 PP=0.74 W=0.1481 F=0.0000



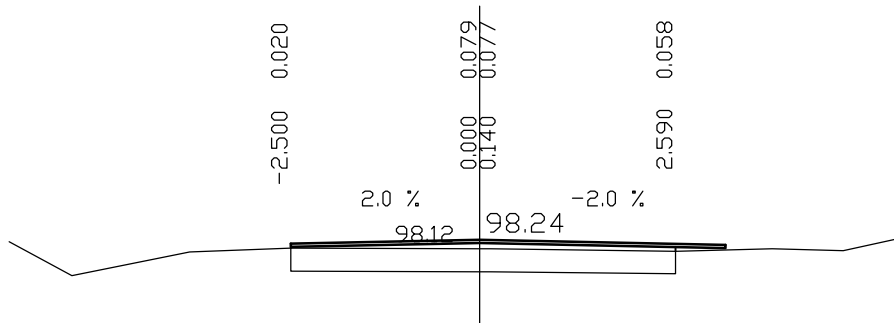
1970.50 PL=0.00 PP=0.69 W=0.1434 F=0.0000



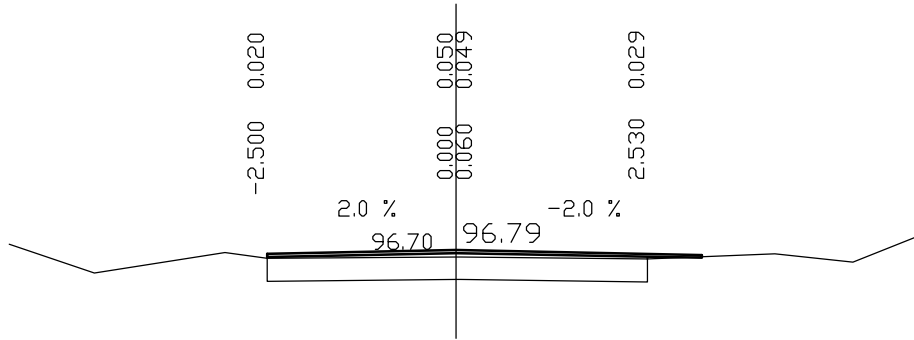
2020.50 PL=0.00 PP=0.58 W=0.1949 F=0.0000



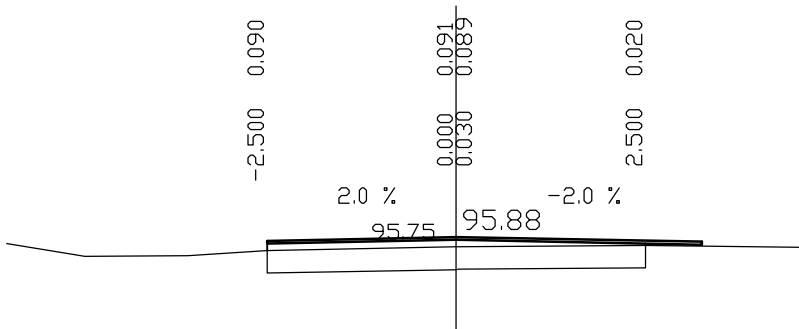
2070.80 PL=0.00 PP=0.66 W=0.3014 F=0.0000



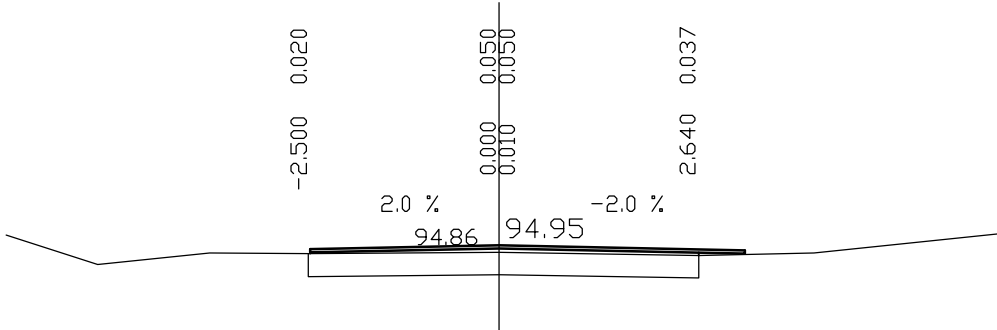
2122.80 PL=0.00 PP=0.72 W=0.1894 F=0.0000



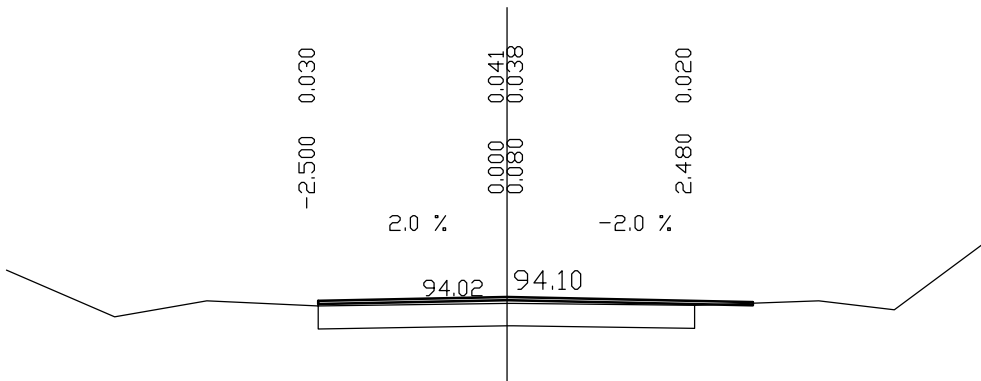
2173.40 PL=0.00 PP=0.75 W=0.3636 F=0.0000



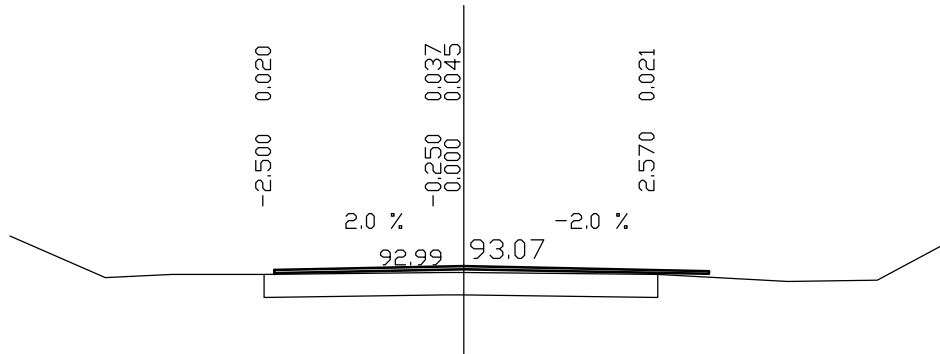
2225.90 PL=0.00 PP=0.61 W=0.2024 F=0.0000



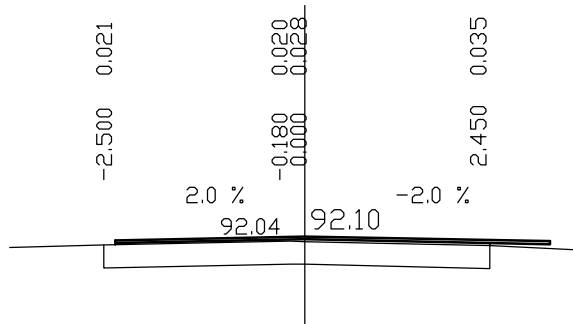
2273.10 PL=0.00 PP=0.77 W=0.1628 F=0.0000



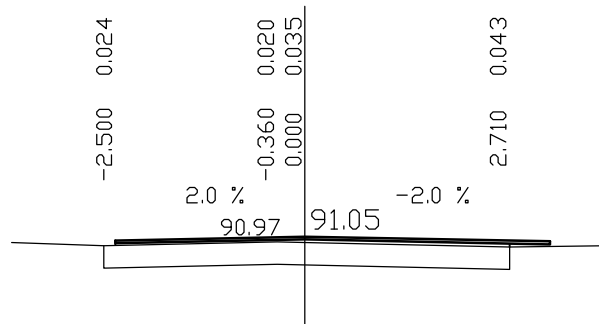
2320.80 PL=0.00 PP=0.68 W=0.1592 F=0.0000



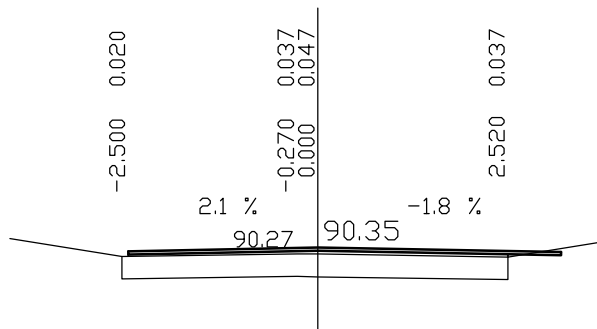
2366.90 PL=0.00 PP=0.80 W=0.1291 F=0.0000



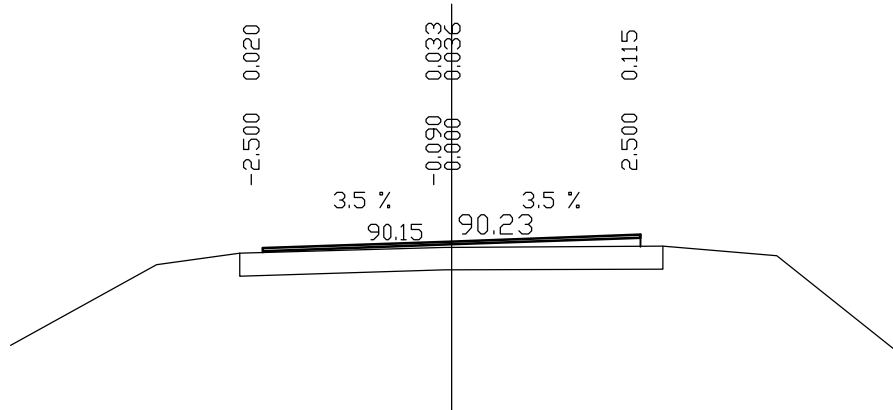
2418.40 PL=0.00 PP=0.54 W=0.1627 F=0.0000



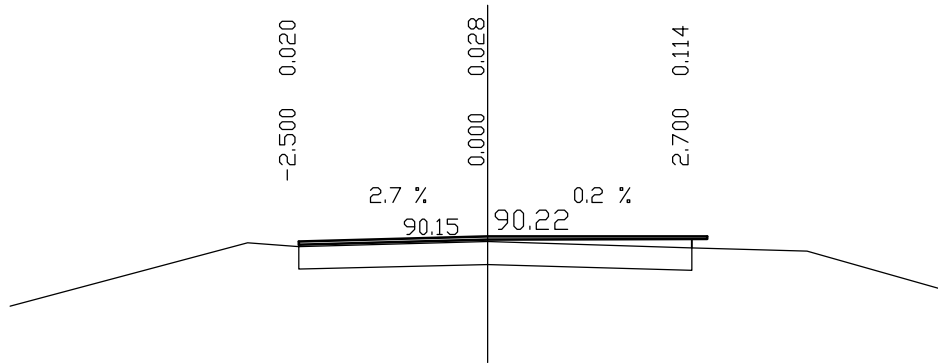
2452.50 PL=0.00 PP=0.70 W=0.1820 F=0.0000



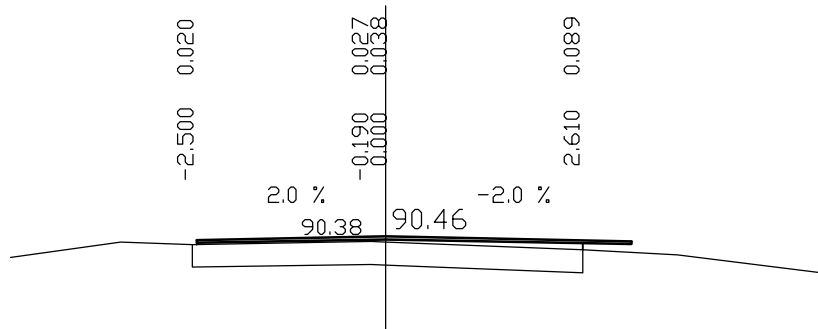
2484.30 PL=0.00 PP=0.00 W=0.2558 F=0.0000



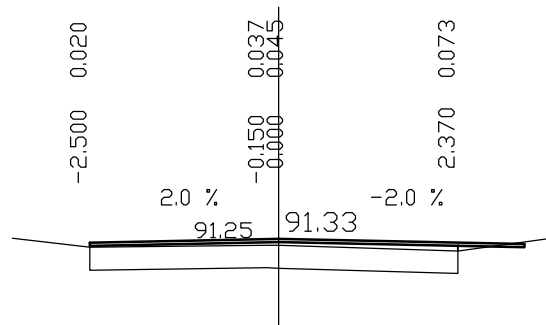
2502.60 PL=0.00 PP=0.20 W=0.2530 F=0.0000



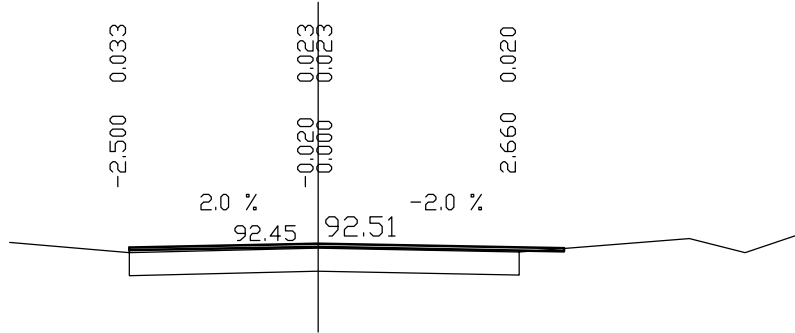
2549.70 PL=0.00 PP=0.64 W=0.2276 F=0.0000



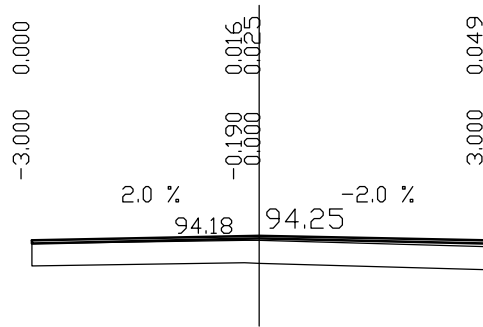
2601.10 PL=0.00 PP=0.88 W=0.2130 F=0.0000



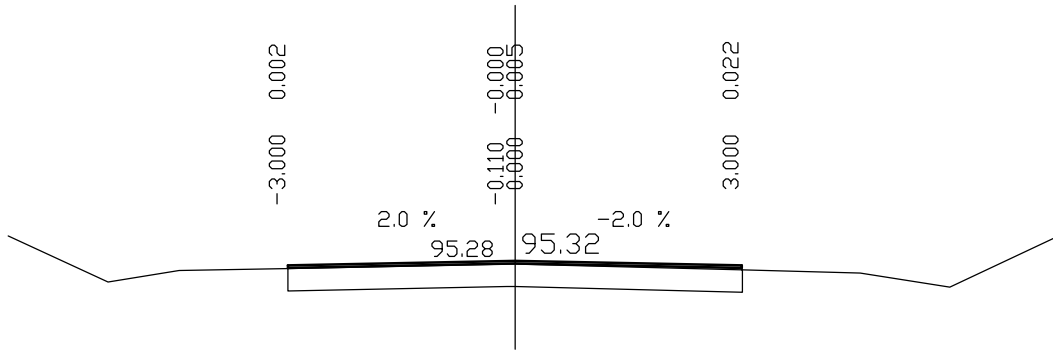
2654.50 PL=0.00 PP=0.59 W=0.1272 F=0.0000



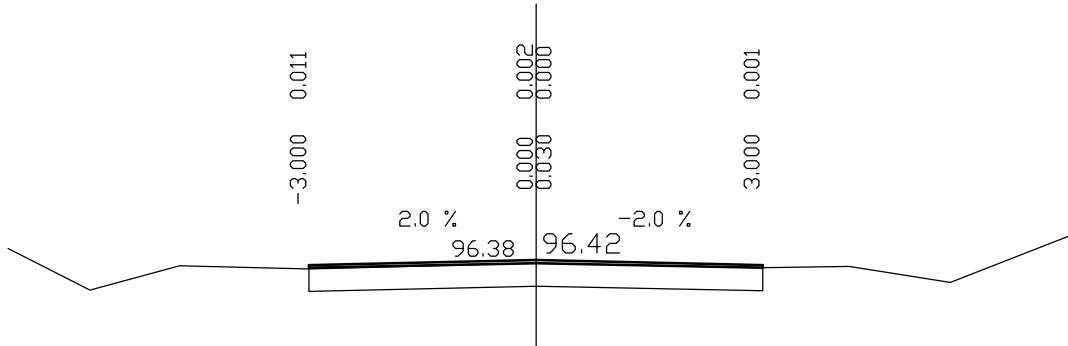
2716.40 PL=0.00 PP=0.00 W=0.1374 F=0.0000



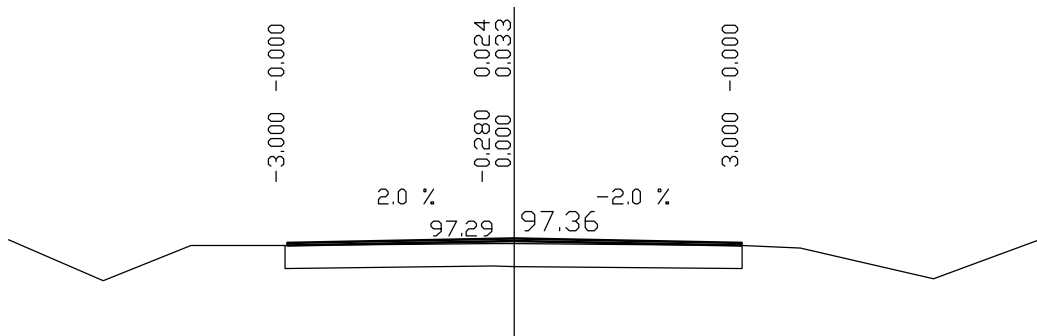
2762.10 PL=0.00 PP=0.00 W=0.0437 F=0.0000



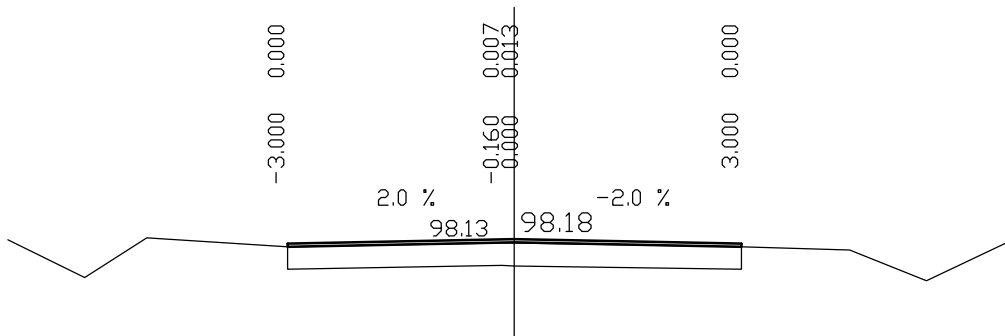
2811.70 PL=0.00 PP=0.00 W=0.0210 F=0.0000



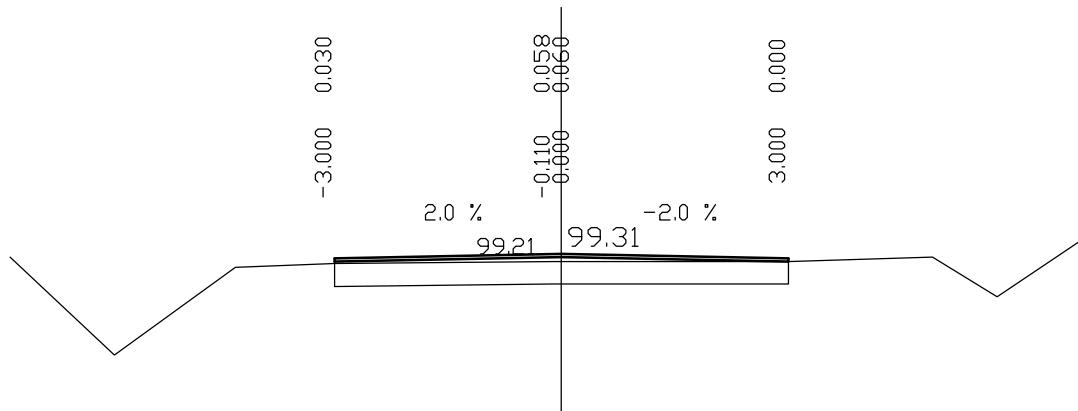
2861.50 PL=0.00 PP=0.00 W=-0.0901 F=0.0000



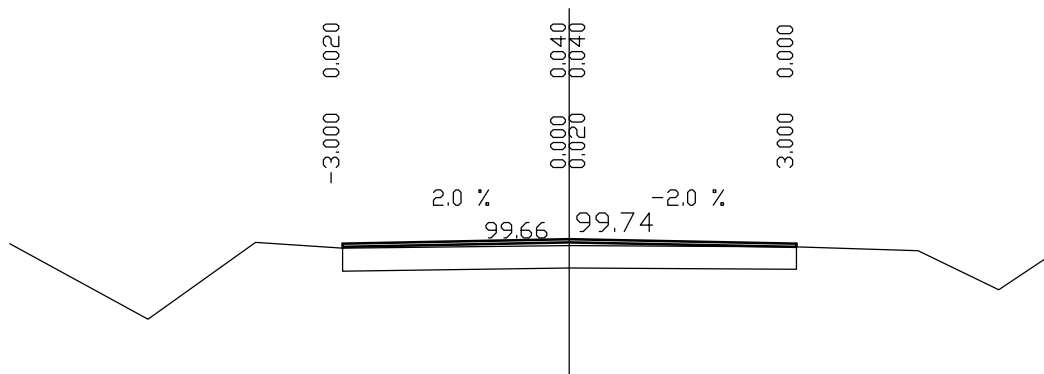
2914.90 PL=0.00 PP=0.00 W=-0.0311 F=0.0000



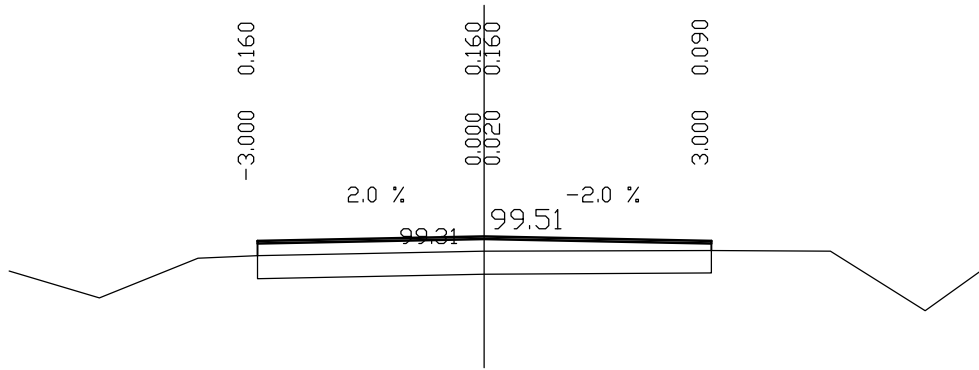
2969.30 PL=0.00 PP=0.00 W=-0.2237 F=0.0000



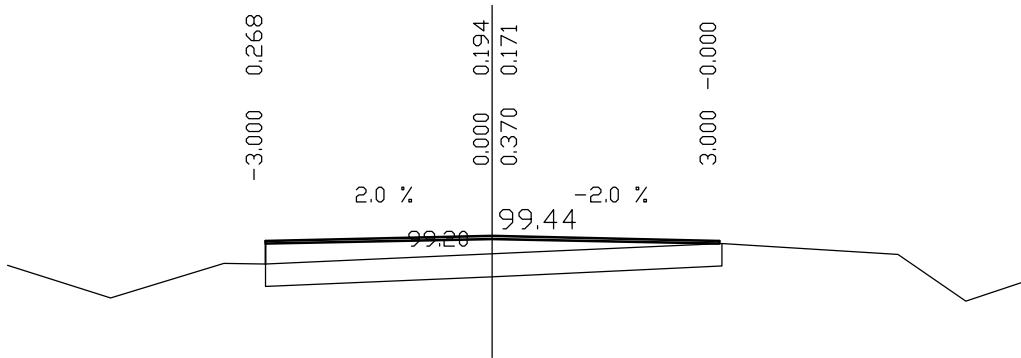
3016.50 PL=0.00 PP=0.00 W=-0.1504 F=0.0000



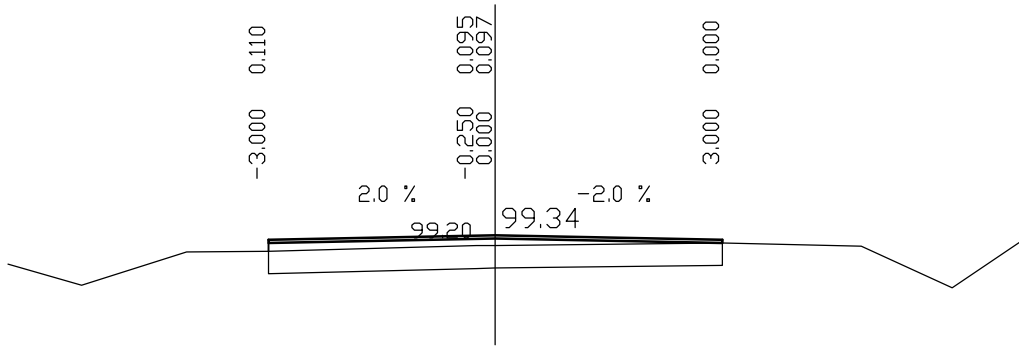
3058.90 PL=0.00 PP=0.00 W=0.8572 F=0.0000



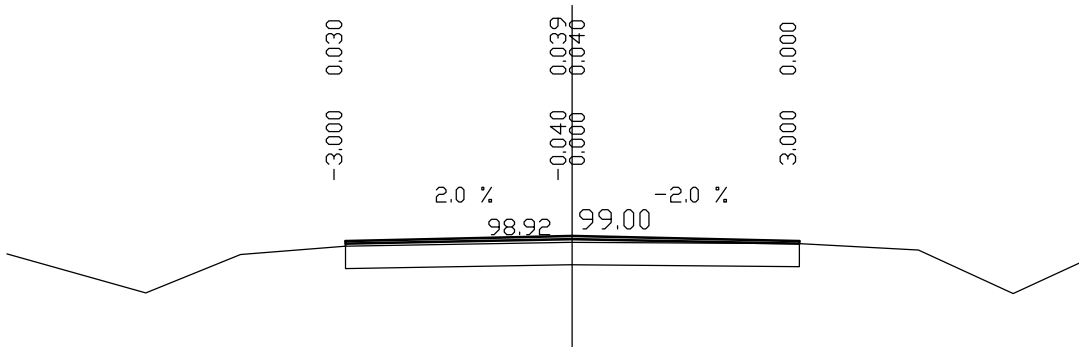
3097.80 PL=0.00 PP=0.00 W=0.9871 F=0.0000



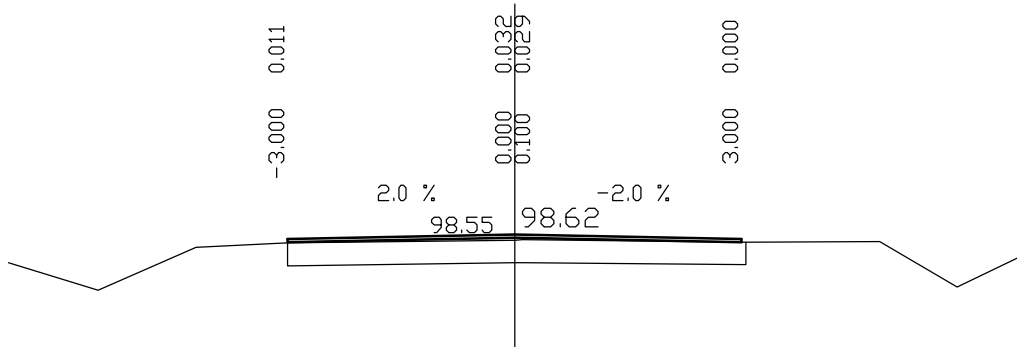
3137.70 PL=0.00 PP=0.00 W=0.4514 F=0.0000



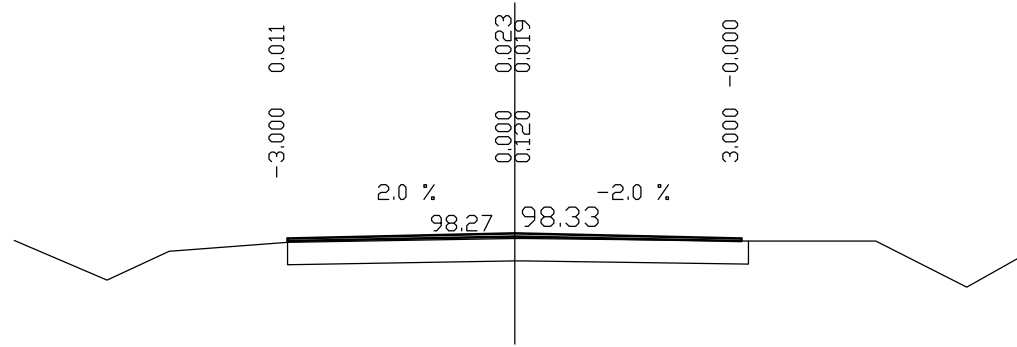
3186.20 PL=0.00 PP=0.00 W=0.1637 F=0.0000



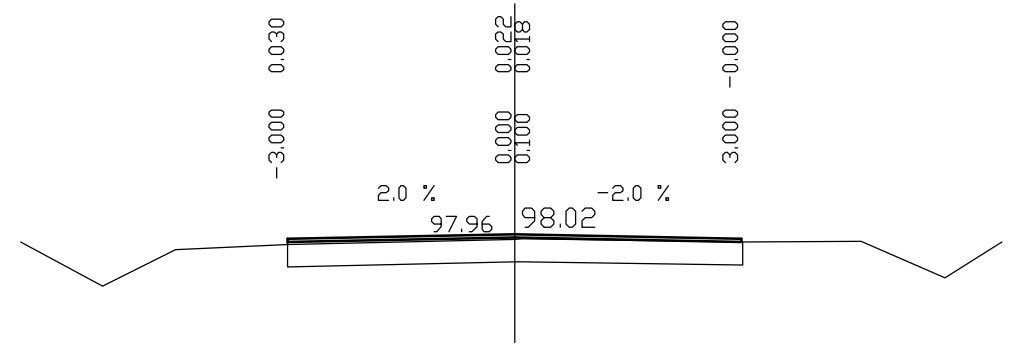
3232.20 PL=0.00 PP=0.00 W=0.1097 F=0.0000



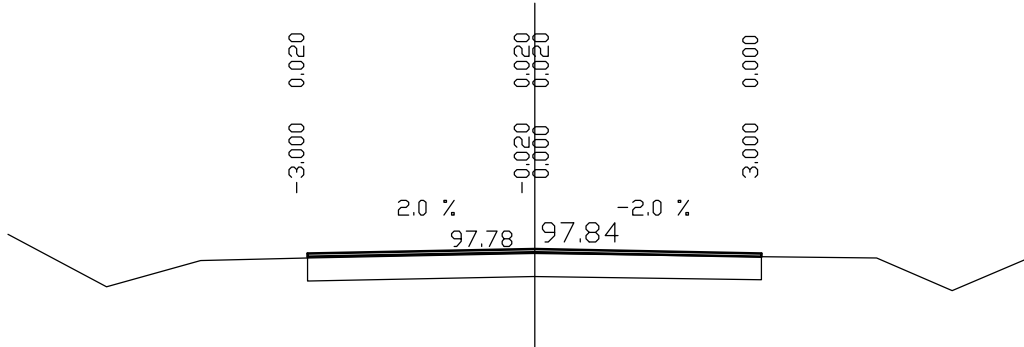
3281.30 PL=0.00 PP=0.00 W=0.0809 F=0.0000



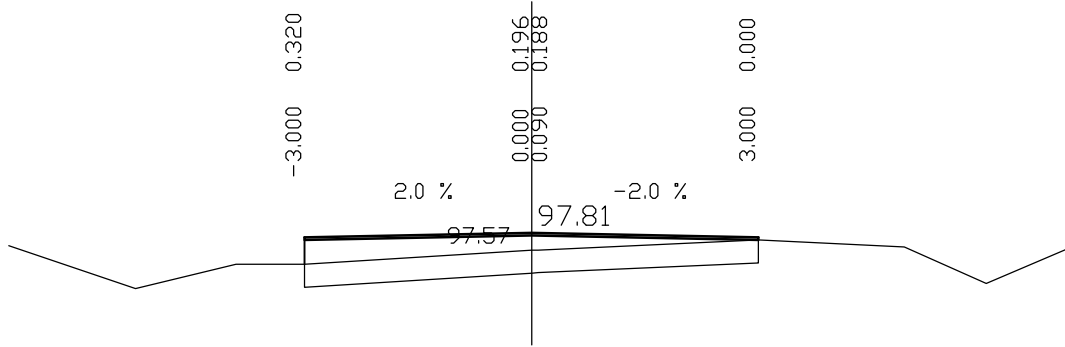
3332.60 PL=0.00 PP=0.00 W=0.1061 F=0.0000



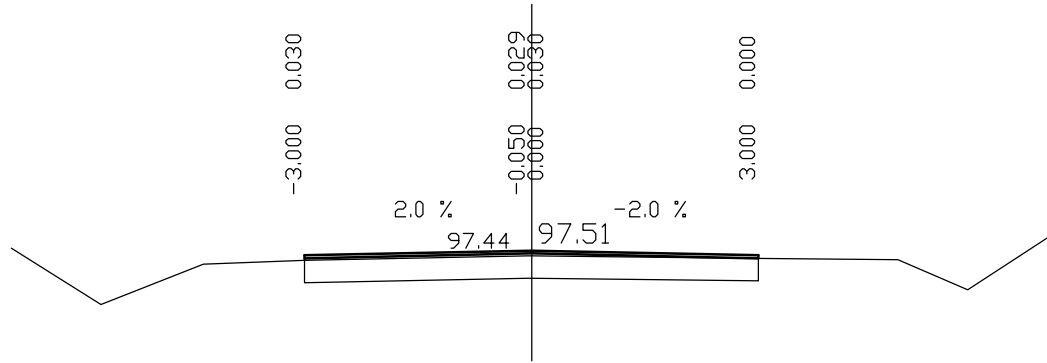
3362.70 PL=0.00 PP=0.00 W=0.0900 F=0.0000



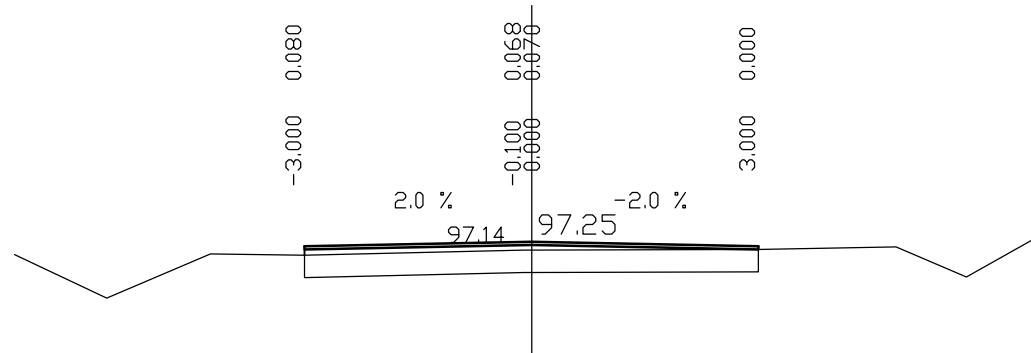
3398.60 PL=0.00 PP=0.00 W=1.0648 F=0.0000



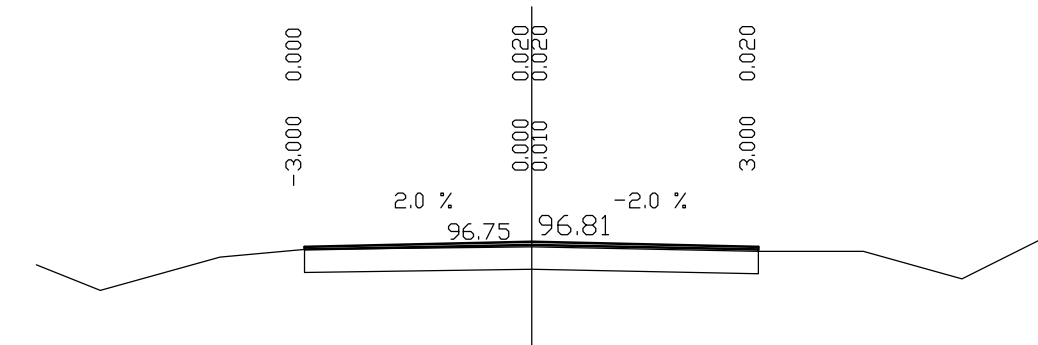
3427.00 PL=0.00 PP=0.00 W=0.1350 F=0.0000



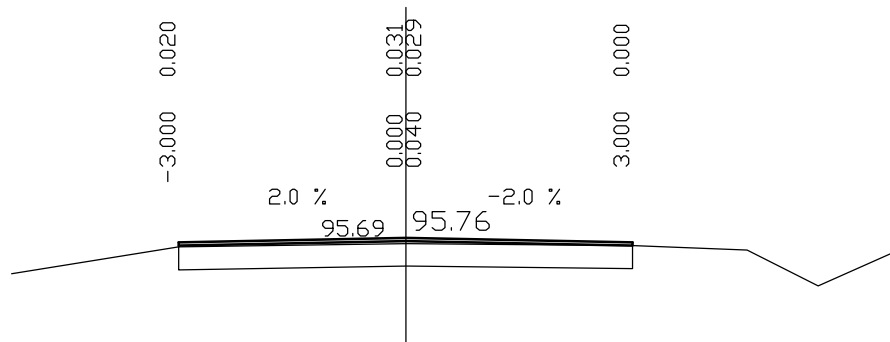
3476.70 PL=0.00 PP=0.00 W=0.3265 F=0.0000



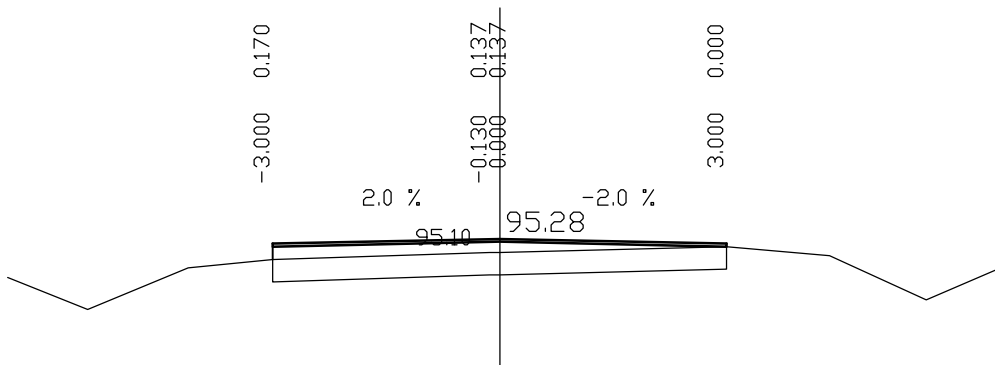
3525.40 PL=0.00 PP=0.00 W=0.0900 F=0.0000



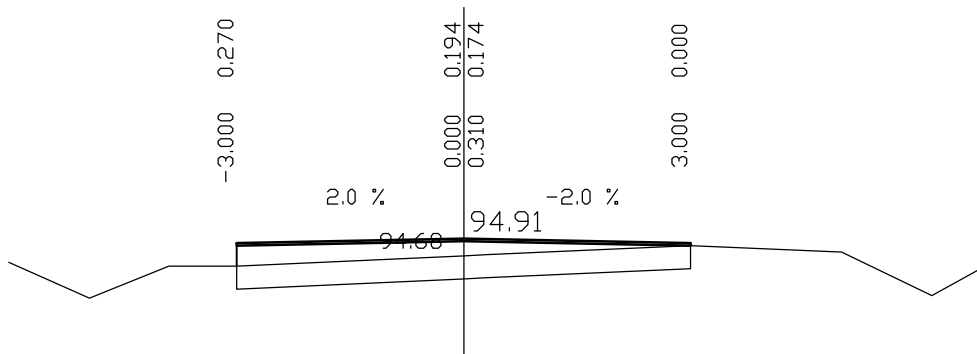
3576.00 PL=0.00 PP=0.00 W=0.1206 F=0.0000



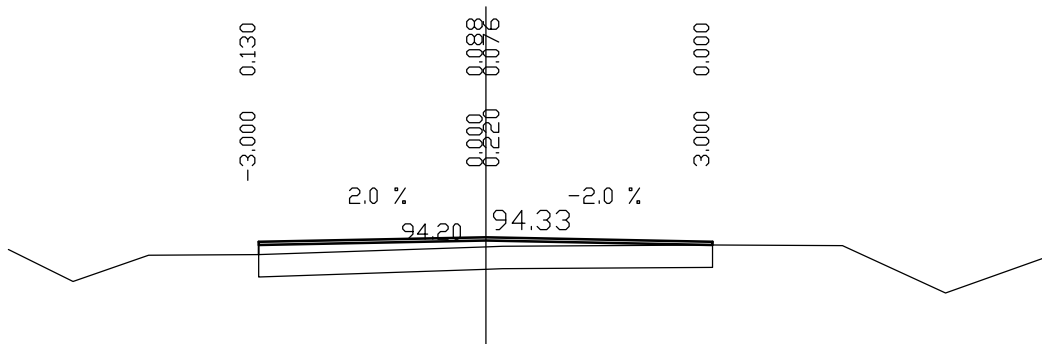
3605.20 PL=0.00 PP=0.00 W=0.6639 F=0.0000



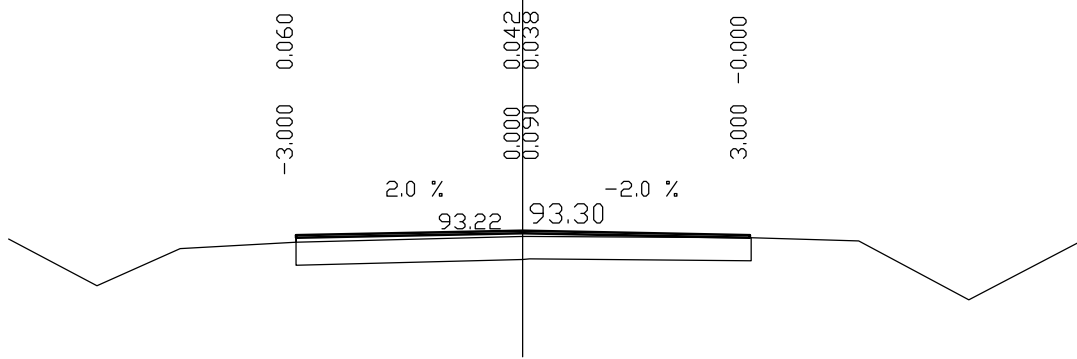
3632.10 PL=0.00 PP=0.00 W=0.9871 F=0.0000



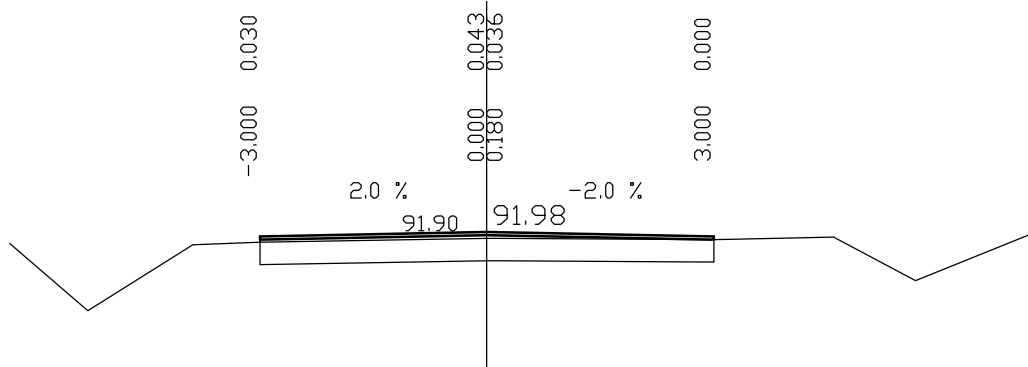
3656.90 PL=0.00 PP=0.00 W=0.4507 F=0.0000



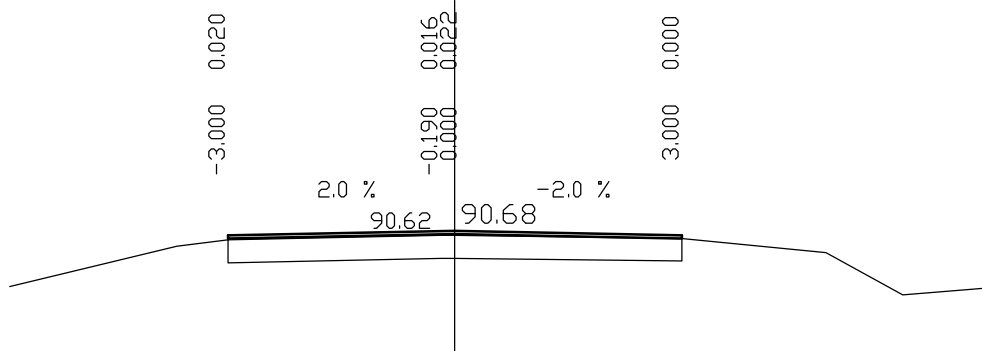
3708.70 PL=0.00 PP=0.00 W=0.2119 F=0.0000



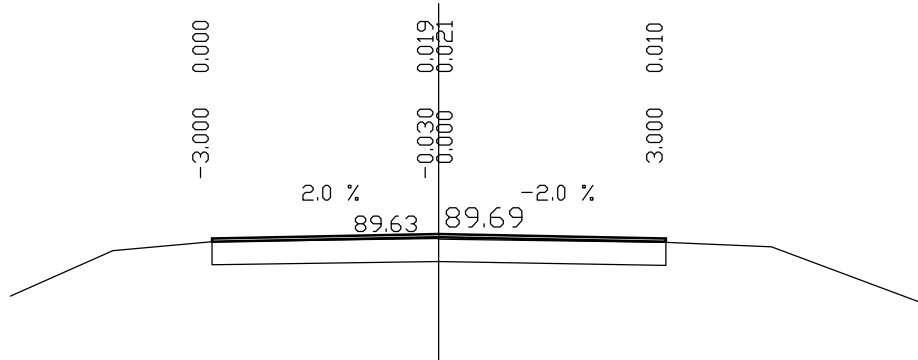
3757.10 PL=0.00 PP=0.00 W=0.1689 F=0.0000



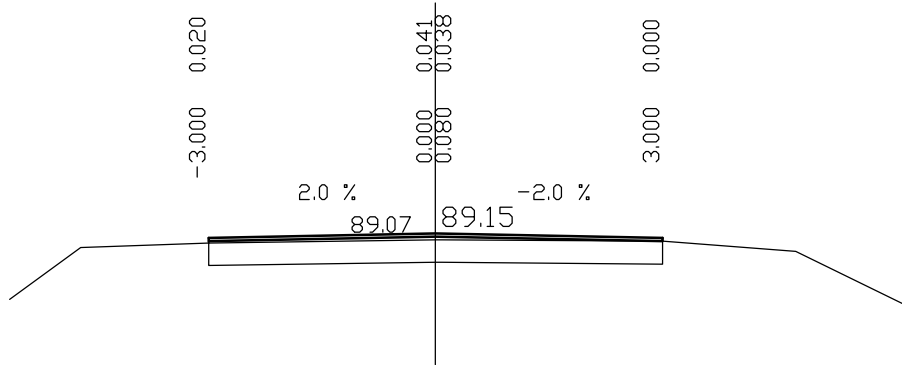
3806.10 PL=0.00 PP=0.00 W=0.0872 F=0.0000



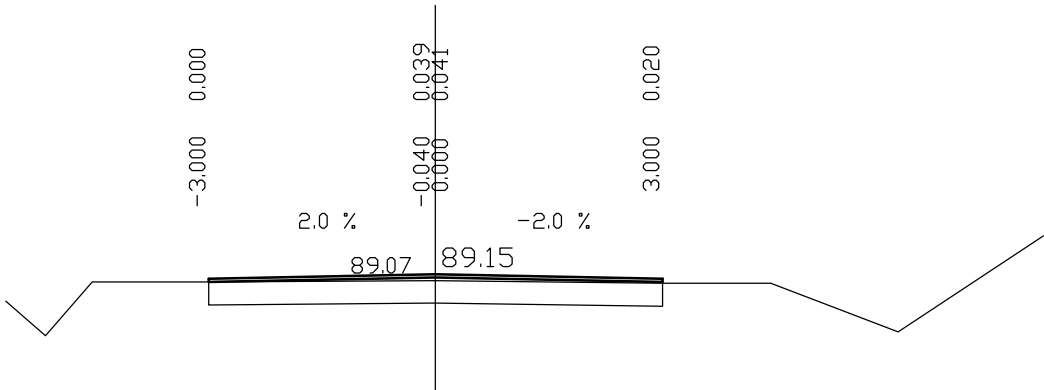
3857.30 PL=0.00 PP=0.00 W=0.0768 F=0.0000



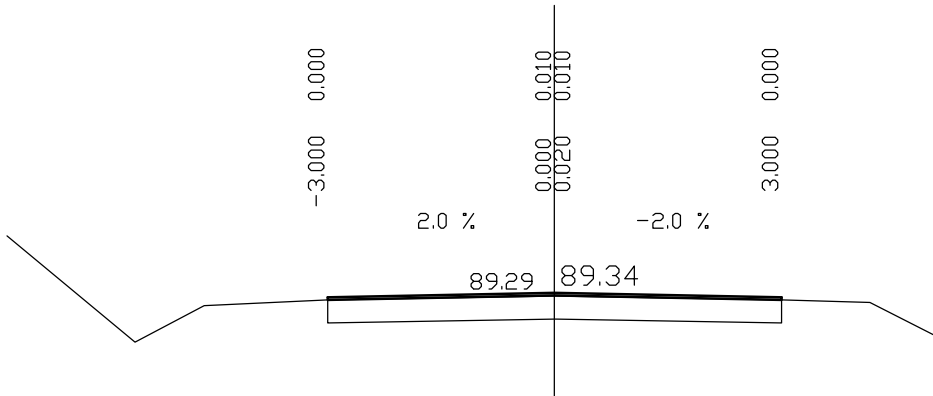
3906.80 PL=0.00 PP=0.00 W=0.1502 F=0.0000



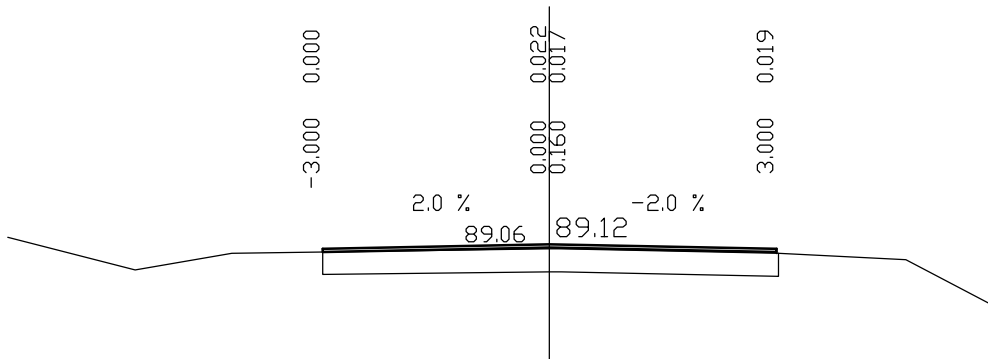
3959.40 PL=0.00 PP=0.00 W=0.1508 F=0.0000



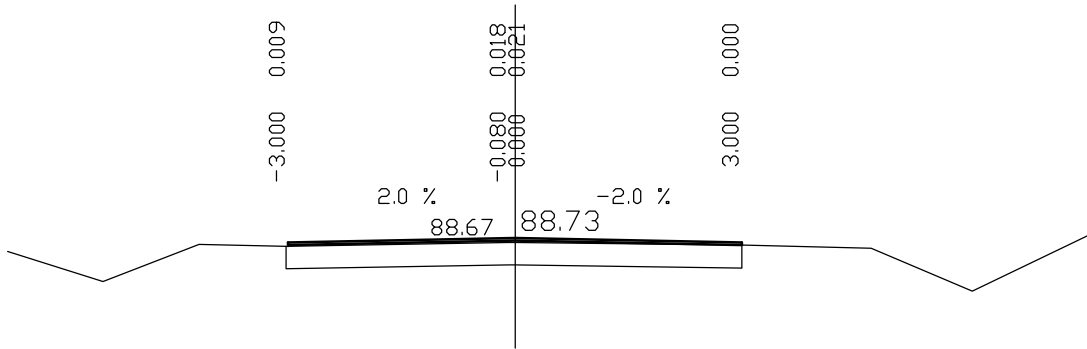
4012.30 PL=0.00 PP=0.00 W=0.0301 F=0.0000



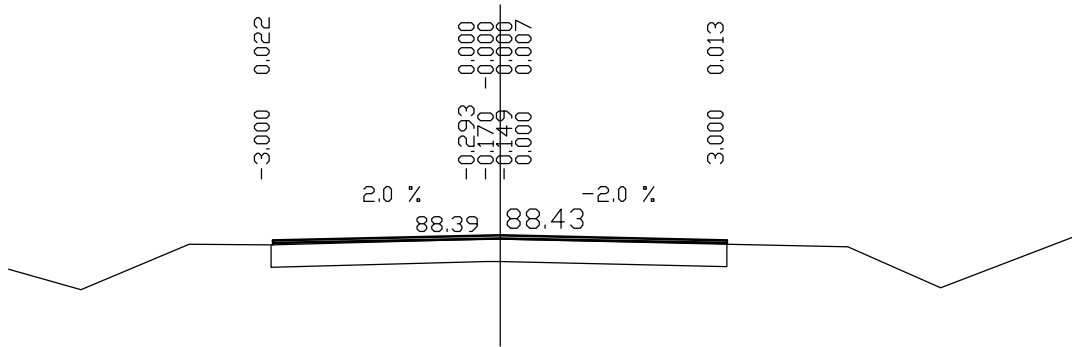
4066.10 PL=0.00 PP=0.00 W=0.0872 F=0.0000



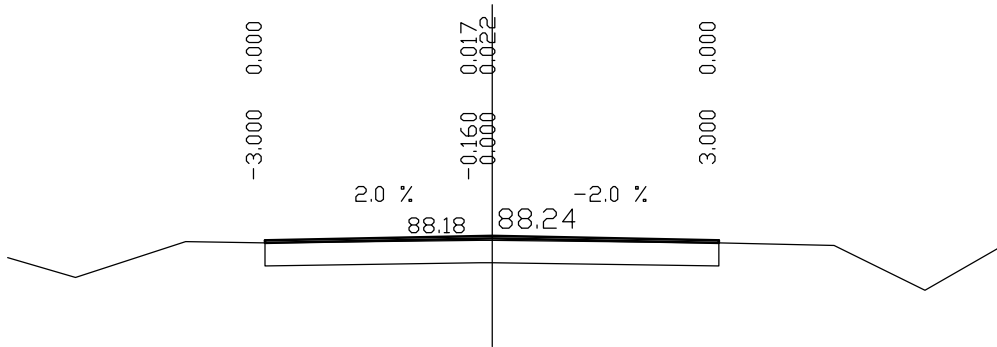
4116.30 PL=0.00 PP=0.00 W=0.0755 F=0.0000



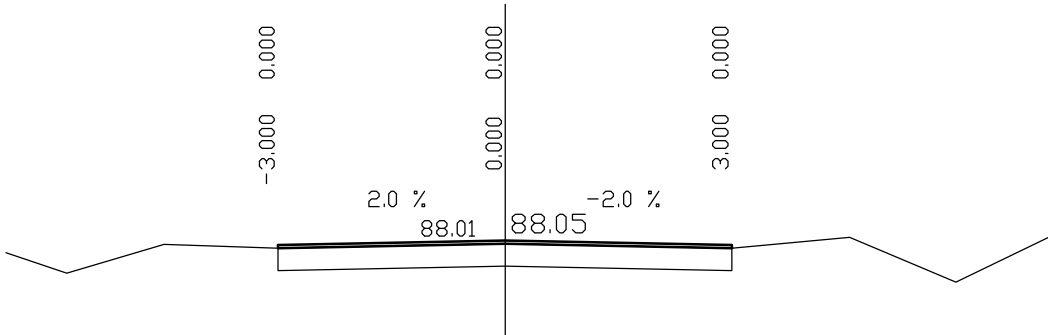
4166.80 PL=0.00 PP=0.00 W=0.0603 F=0.0001



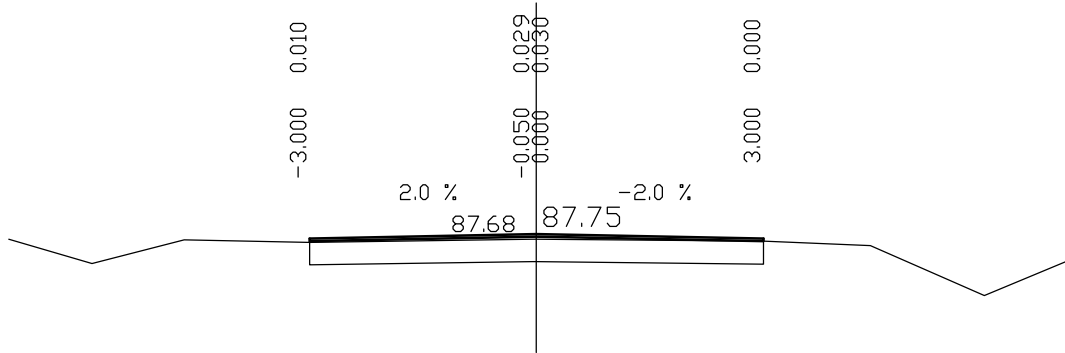
4216.00 PL=0.00 PP=0.00 W=0.0603 F=0.0000



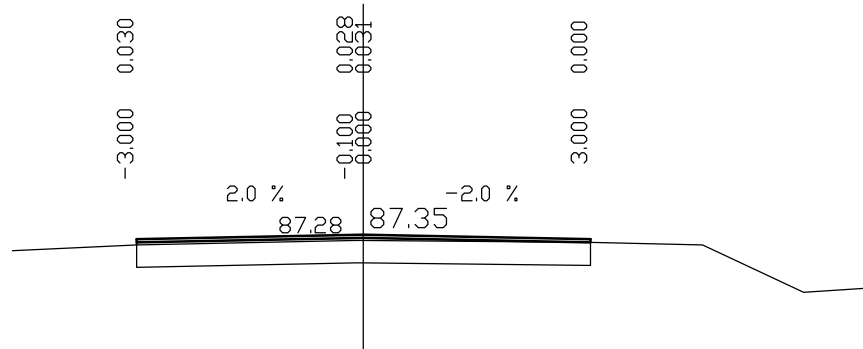
4268.40 PL=0.00 PP=0.00 W=0.0000 F=0.0000



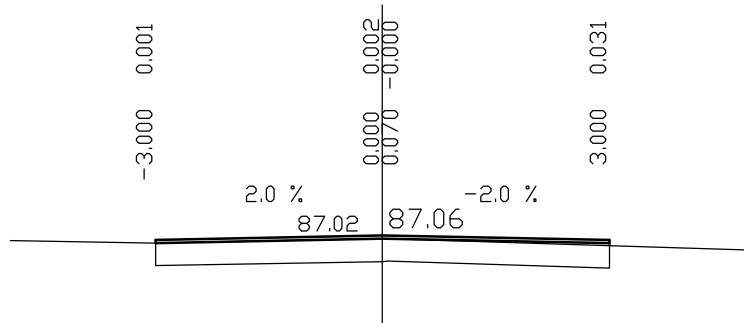
4316.10 PL=0.00 PP=0.00 W=0.1055 F=0.0000



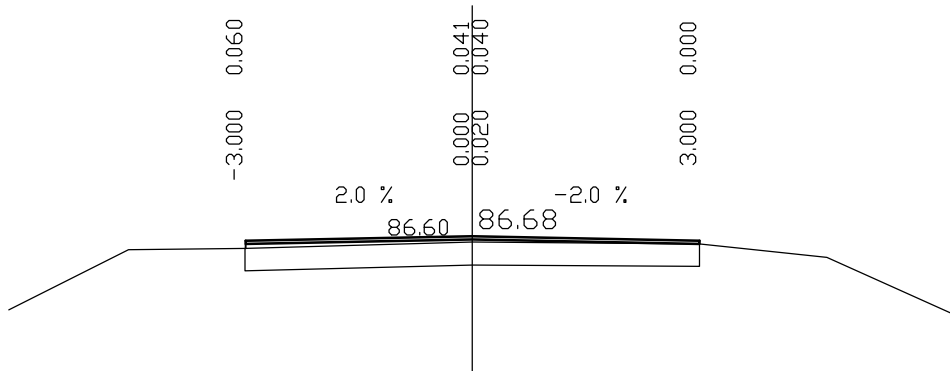
4363.60 PL=0.00 PP=0.00 W=0.1336 F=0.0000



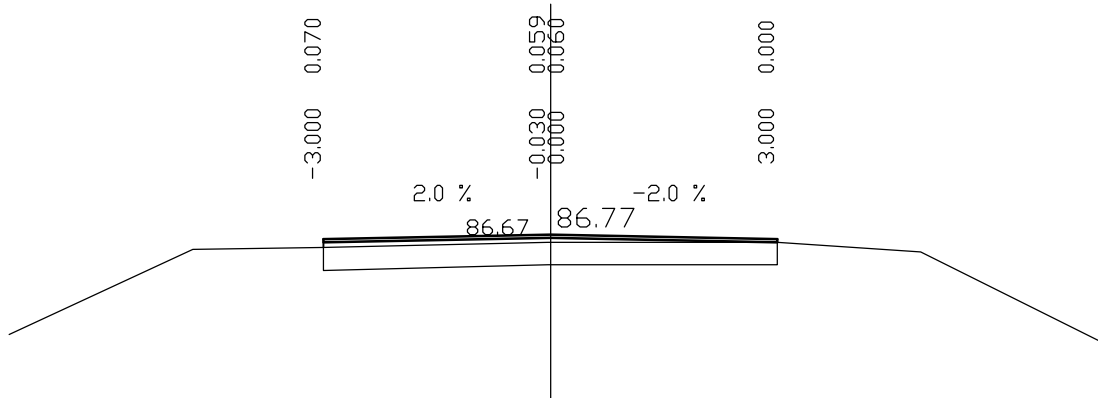
4414.90 PL=0.00 PP=0.00 W=0.0500 F=0.0000



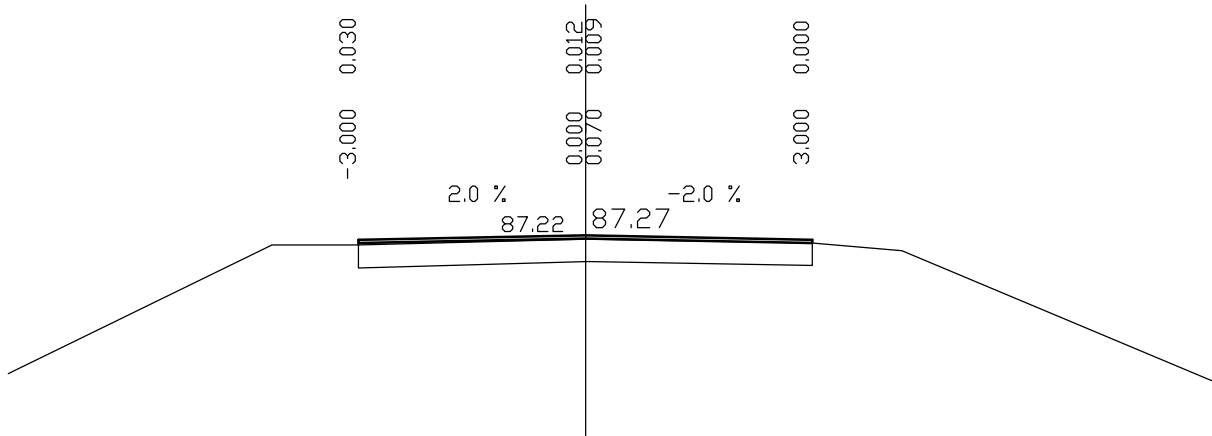
4465.40 PL=0.00 PP=0.00 W=0.2119 F=0.0000



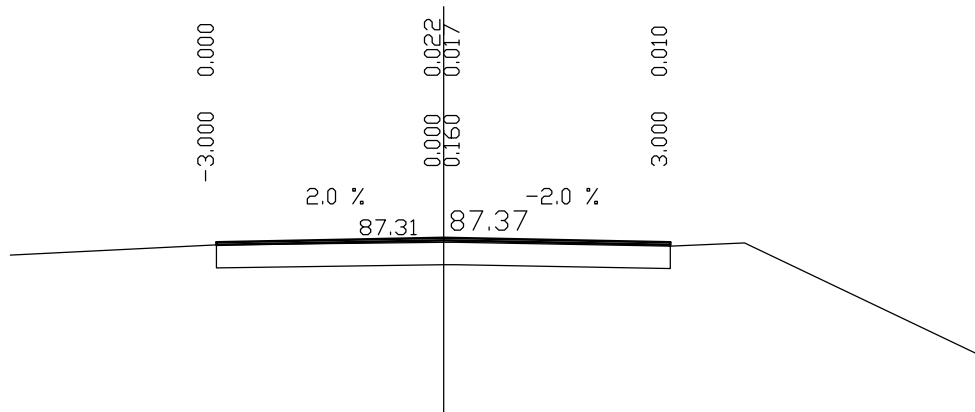
4512.60 PL=0.00 PP=0.00 W=0.2834 F=0.0000



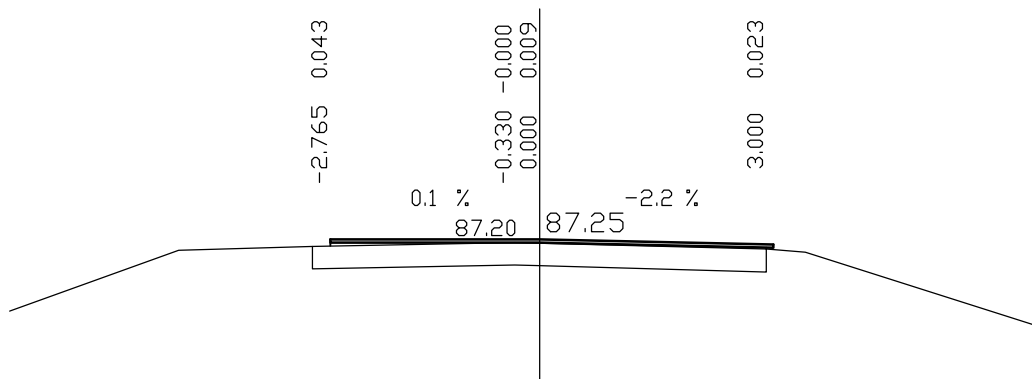
4561.40 PL=0.00 PP=0.00 W=0.0769 F=0.0000



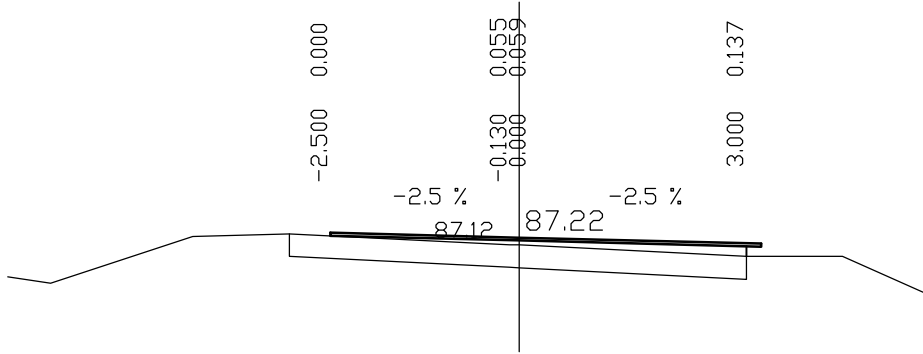
4602.60 PL=0.00 PP=0.00 W=0.0745 F=0.0000



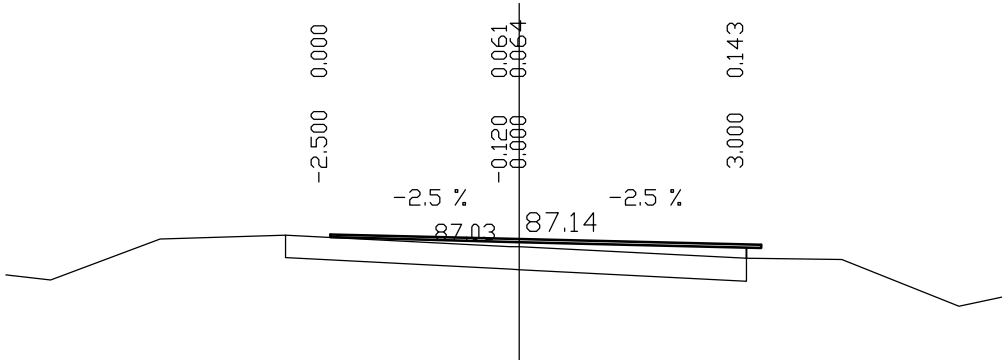
4642.50 PL=0.00 PP=0.09 W=0.1019 F=0.0000



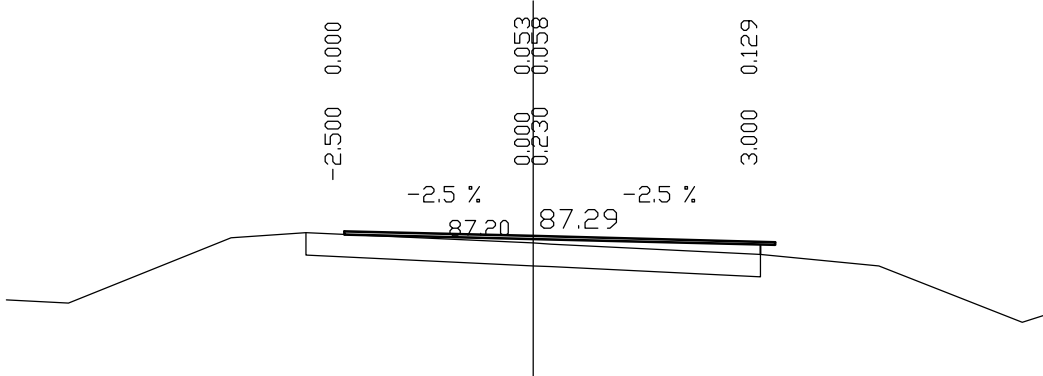
4686.50 PL=0.00 PP=0.20 W=0.3678 F=0.0000



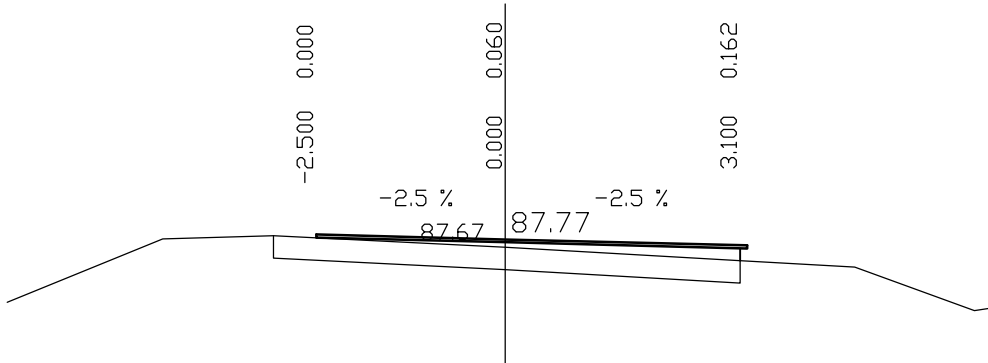
4719.20 PL=0.00 PP=0.20 W=0.3906 F=0.0000



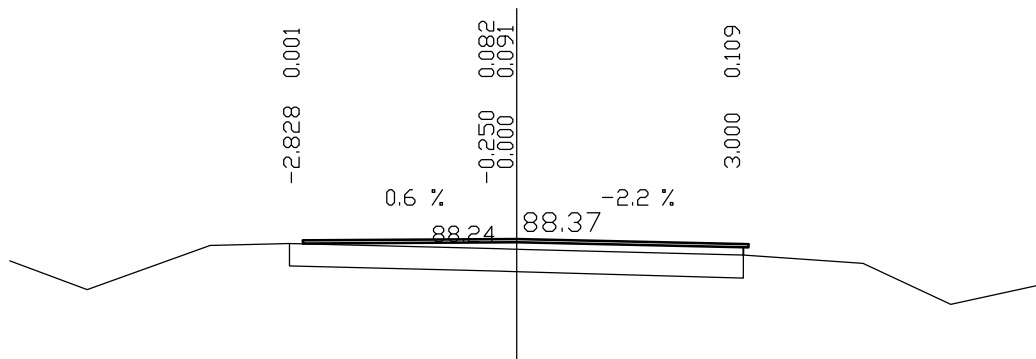
4751.80 PL=0.00 PP=0.20 W=0.3381 F=0.0000



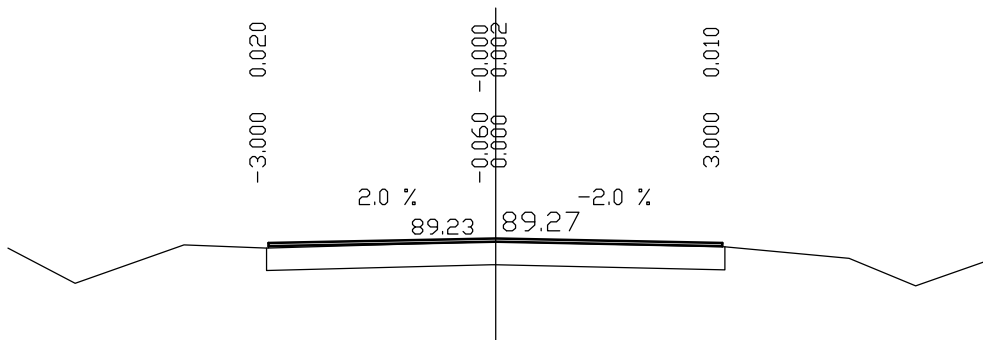
4790.40 PL=0.00 PP=0.10 W=0.4207 F=0.0000



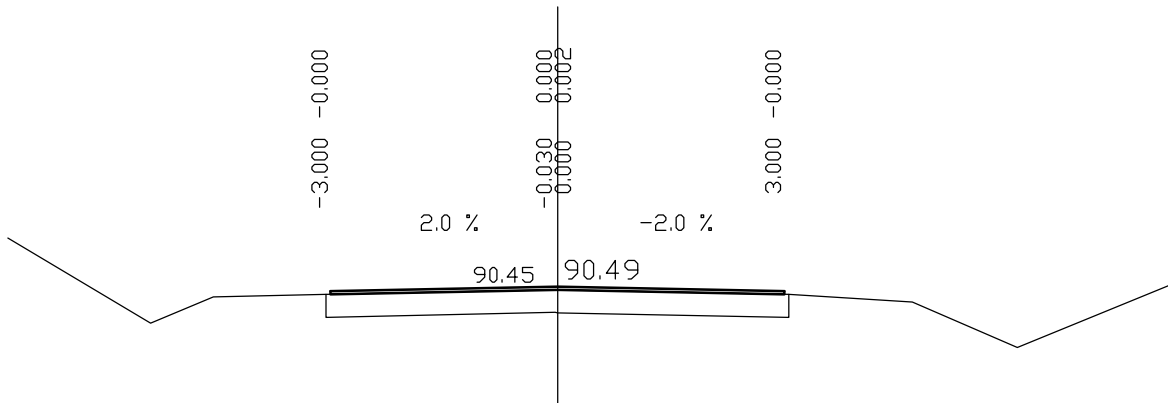
4832.10 PL=0.00 PP=0.07 W=-0.4301 F=0.0000



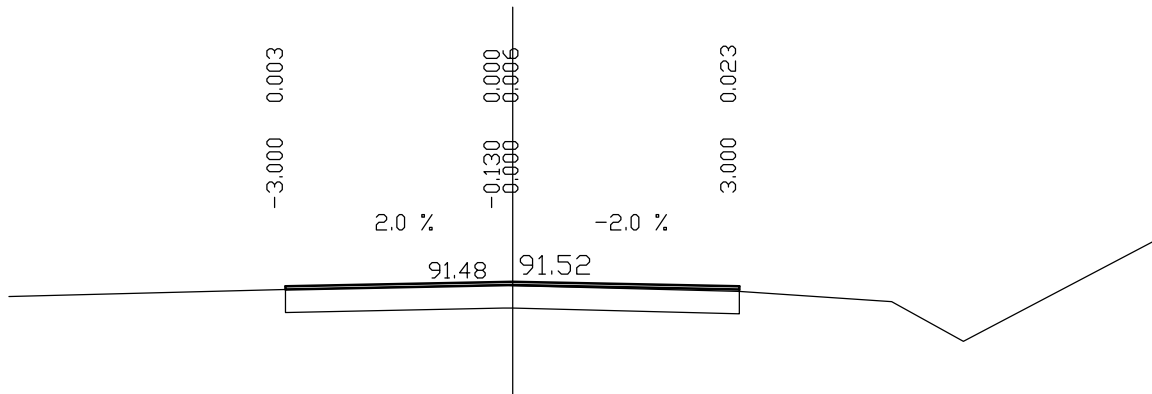
4879.80 PL=0.00 PP=0.00 W=-0.0475 F=0.0000



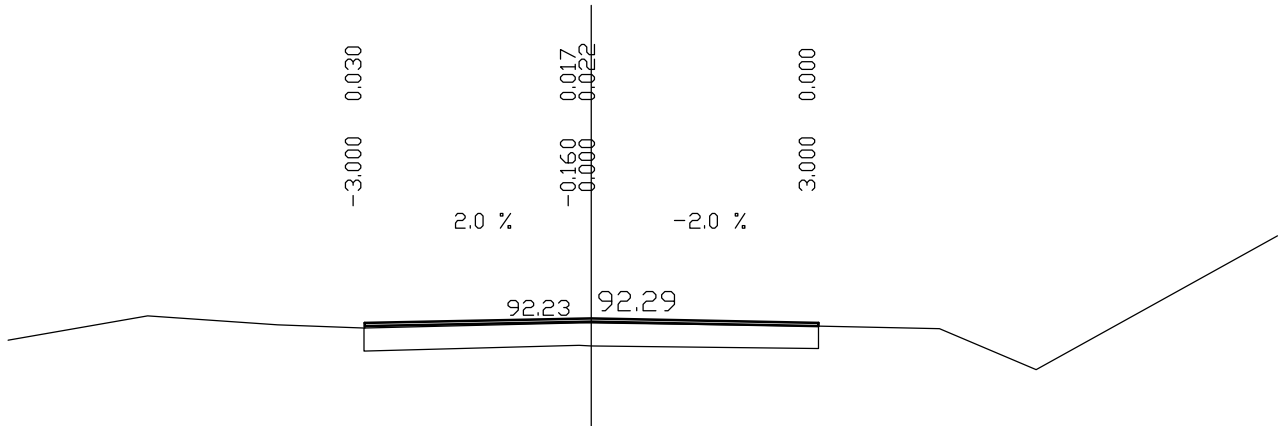
4928.40 PL=0.00 PP=0.00 W=-0.0030 F=0.0000



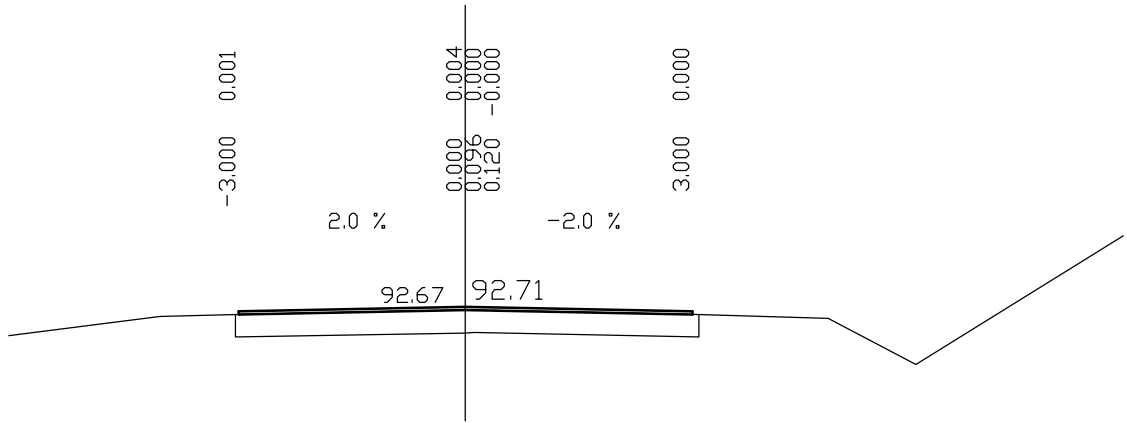
4969.30 PL=0.00 PP=0.00 W=-0.0482 F=0.0000



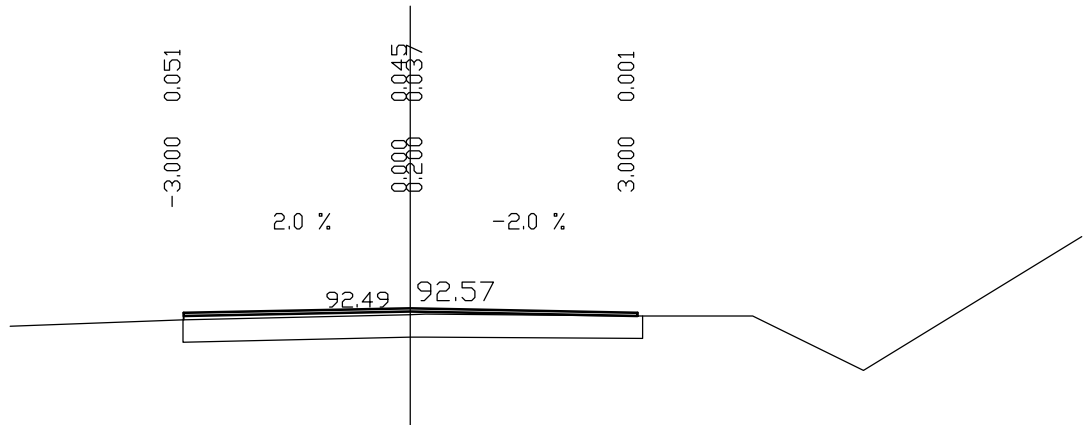
5004.70 PL=0.00 PP=0.00 W=0.1029 F=0.0000



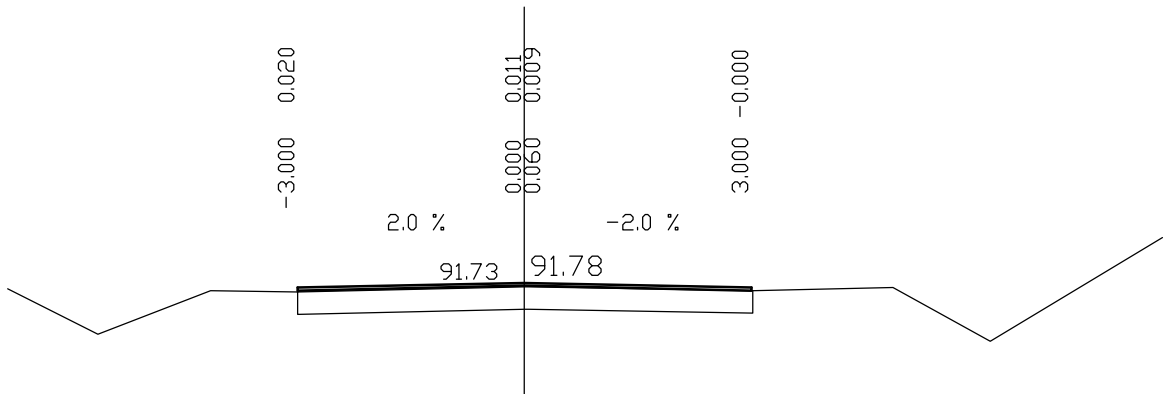
5052.80 PL=0.00 PP=0.00 W=0.0077 F=0.0015



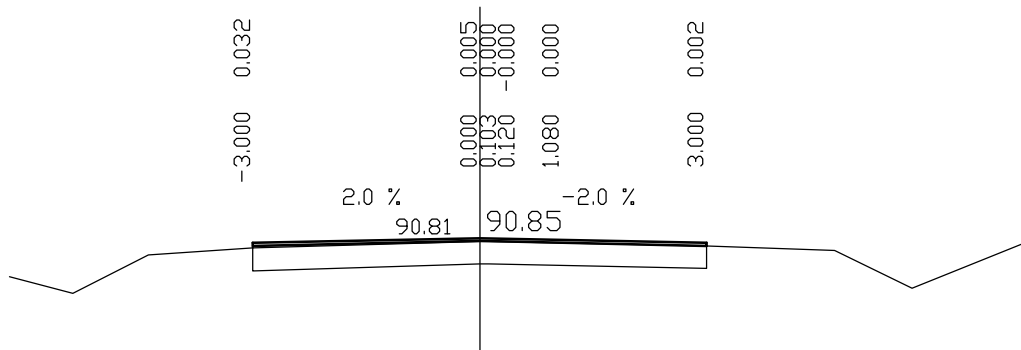
5100.70 PL=0.00 PP=0.00 W=0.2054 F=0.0000



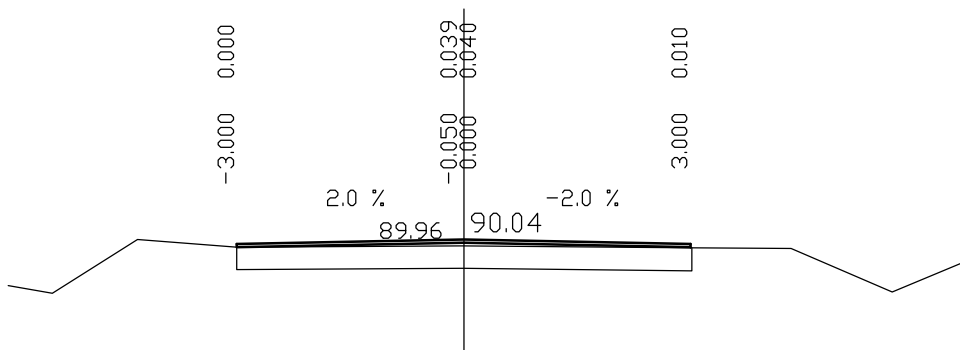
5154.00 PL=0.00 PP=0.00 W=0.0603 F=0.0000



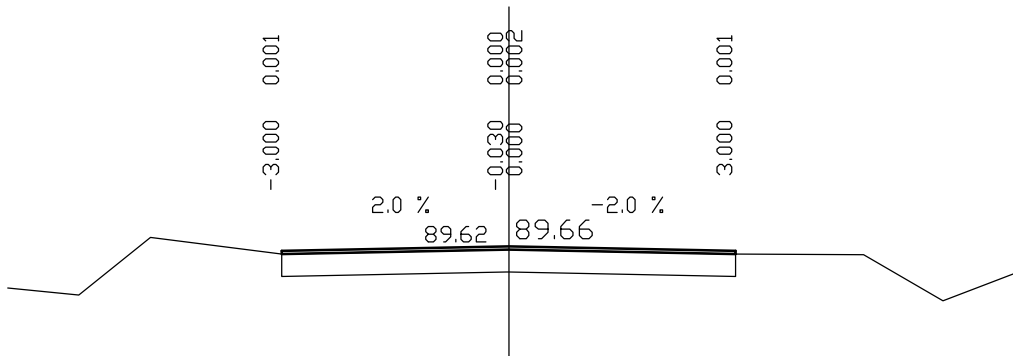
5202.60 PL=0.00 PP=0.00 W=0.0592 F=0.0005



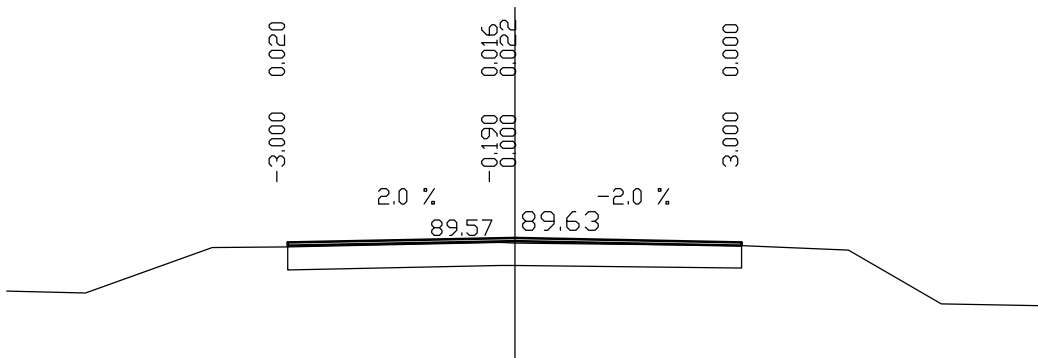
5252.50 PL=0.00 PP=0.00 W=0.1360 F=0.0000



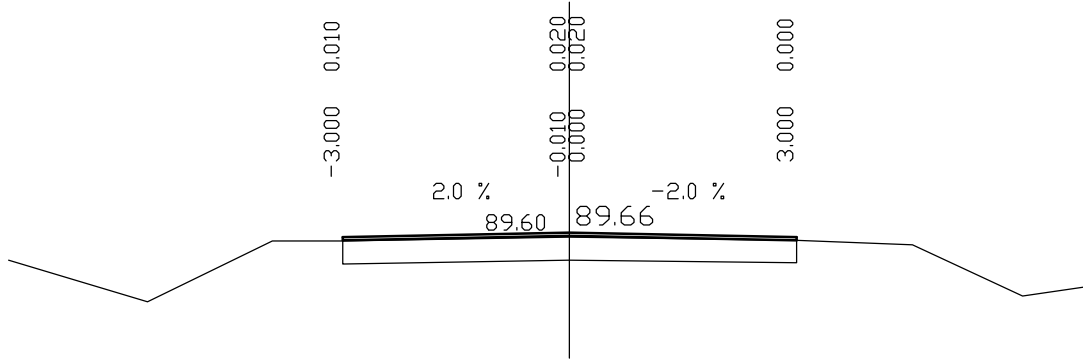
5298.00 PL=0.00 PP=0.00 W=0.0060 F=0.0000



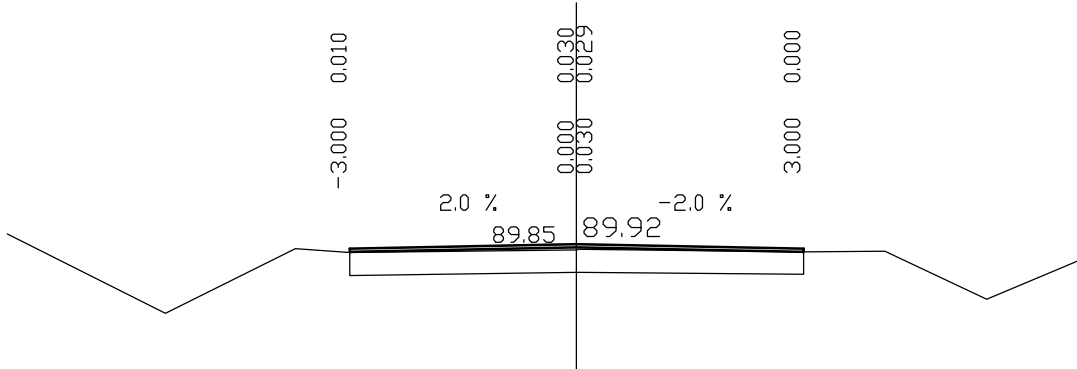
5351.60 PL=0.00 PP=0.00 W=0.0872 F=0.0000



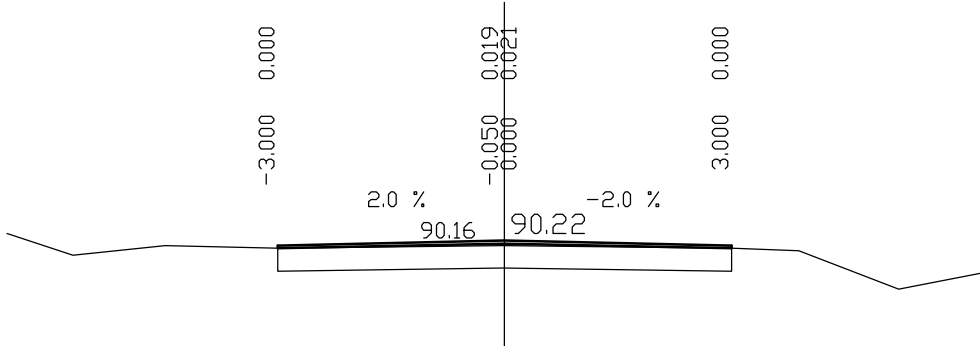
5403.30 PL=0.00 PP=0.00 W=0.0751 F=0.0000



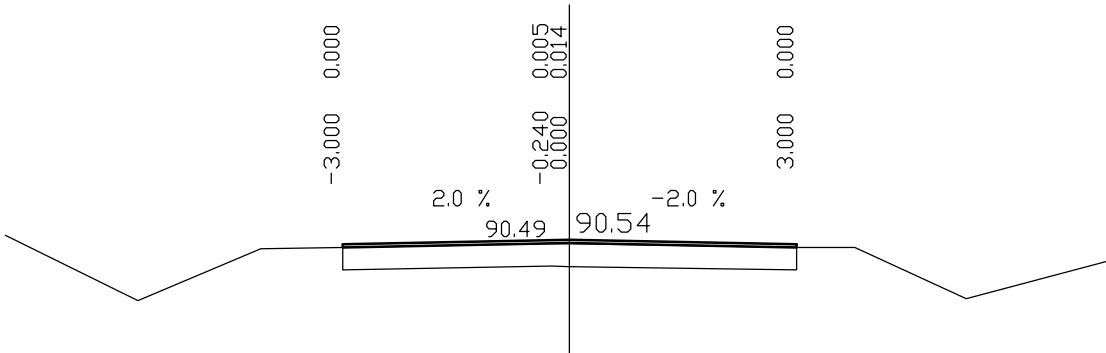
5457.80 PL=0.00 PP=0.00 W=0.1040 F=0.0000



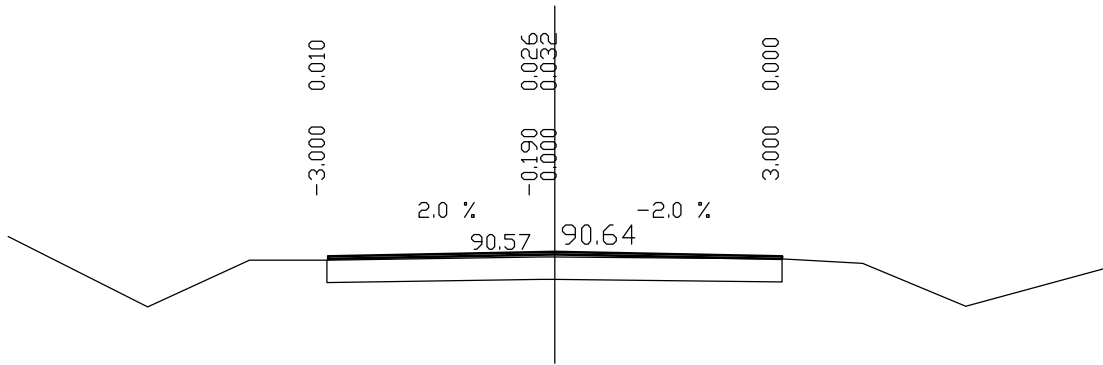
5511.00 PL=0.00 PP=0.00 W=0.0605 F=0.0000



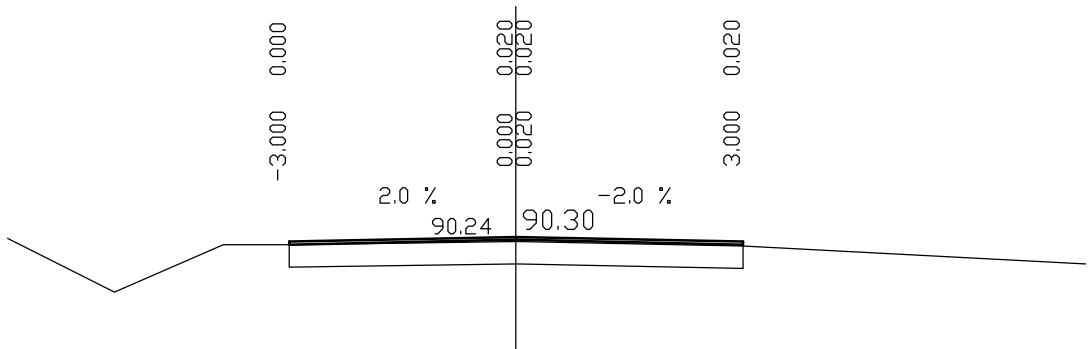
5564.80 PL=0.00 PP=0.00 W=0.0302 F=0.0000



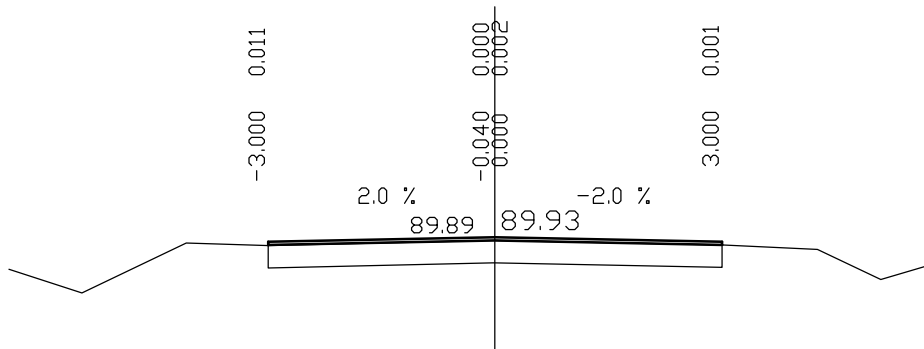
5614.70 PL=0.00 PP=0.00 W=0.1041 F=0.0000



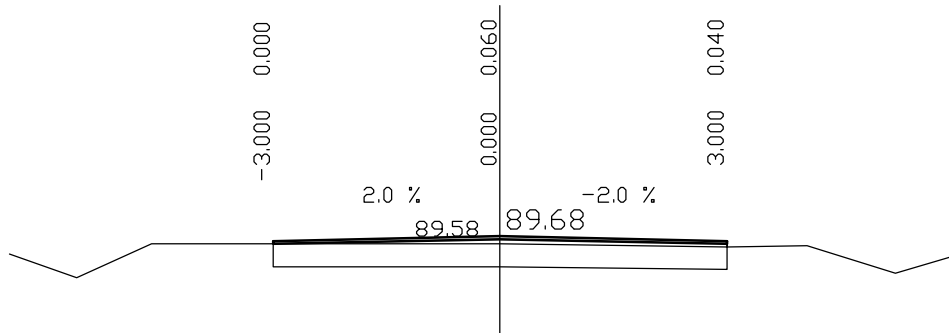
5662.80 PL=0.00 PP=0.00 W=0.0900 F=0.0000



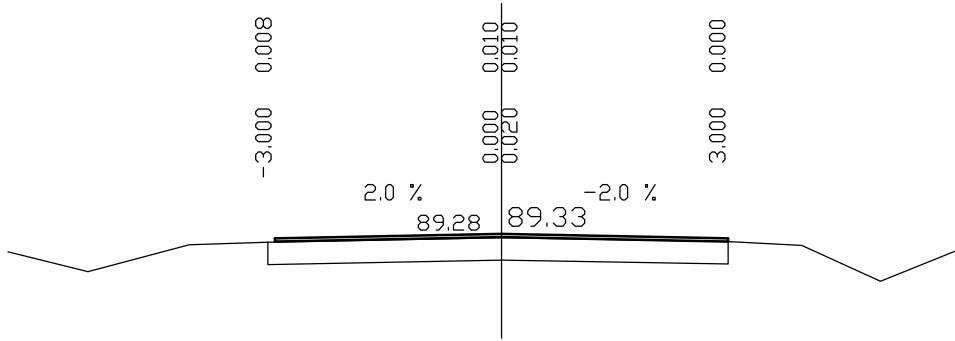
5704.70 PL=0.00 PP=0.00 W=0.0208 F=0.0000



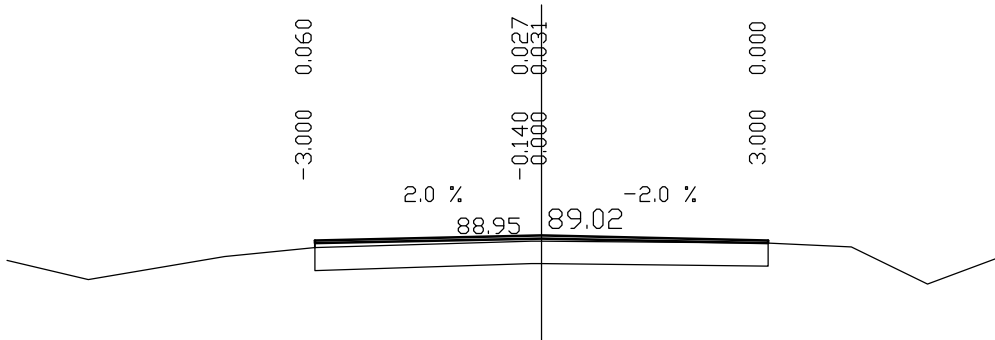
5739.30 PL=0.00 PP=0.00 W=0.2400 F=0.0000



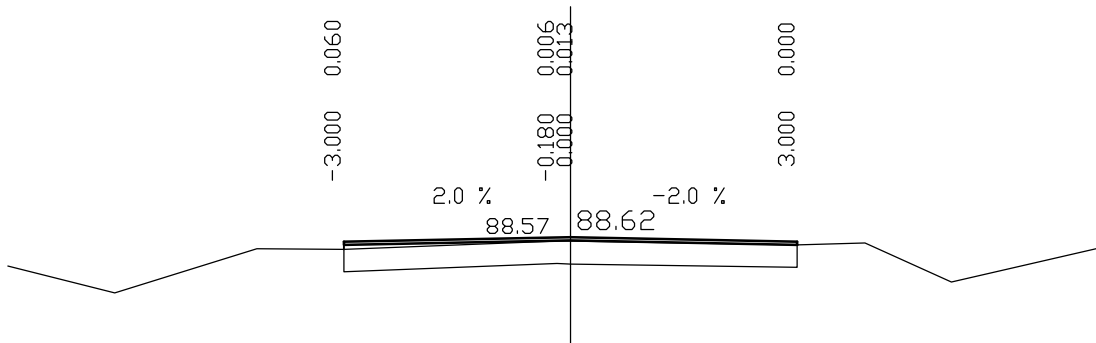
5782.10 PL=0.00 PP=0.00 W=0.0421 F=0.0000



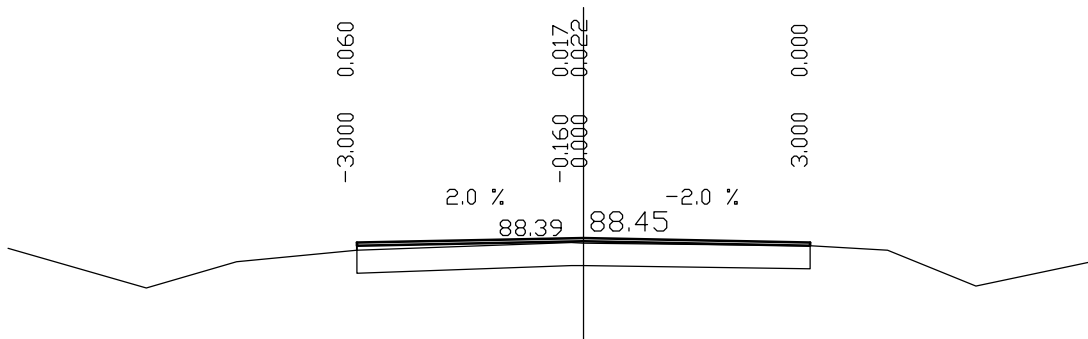
5821.70 PL=0.00 PP=0.00 W=0.1750 F=0.0000



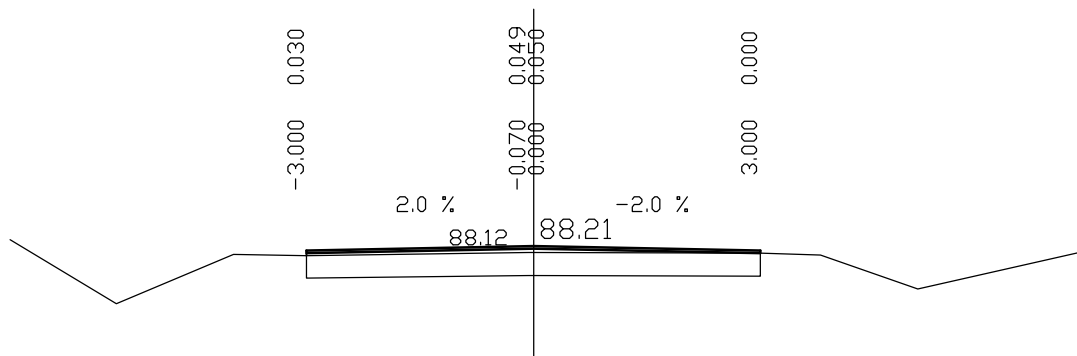
5867.00 PL=0.00 PP=0.00 W=0.1158 F=0.0000



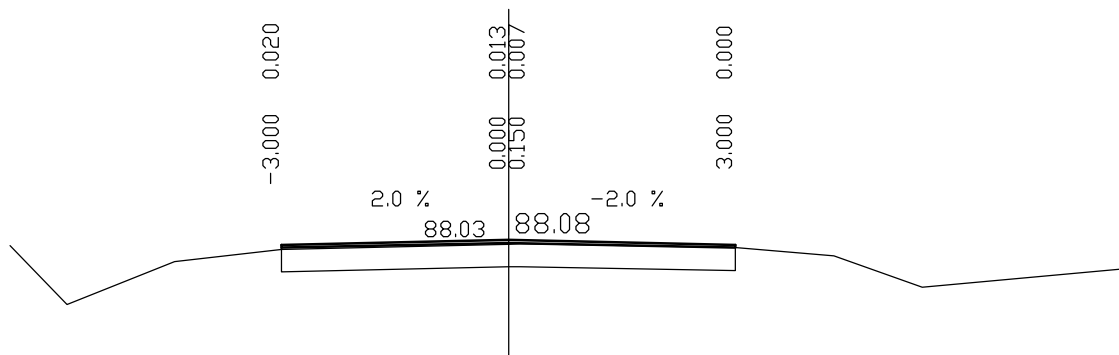
5906.80 PL=0.00 PP=0.00 W=0.1455 F=0.0000



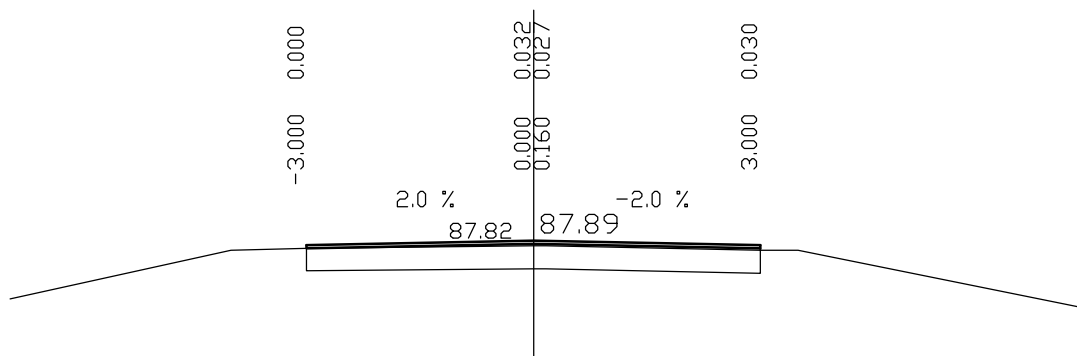
5961.50 PL=0.00 PP=0.00 W=-0.1942 F=0.0000



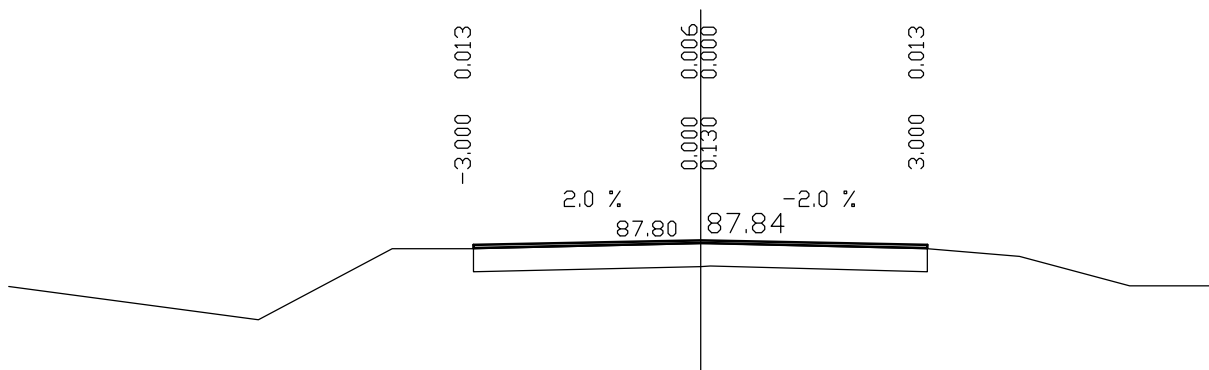
6007.20 PL=0.00 PP=0.00 W=-0.0610 F=0.0000



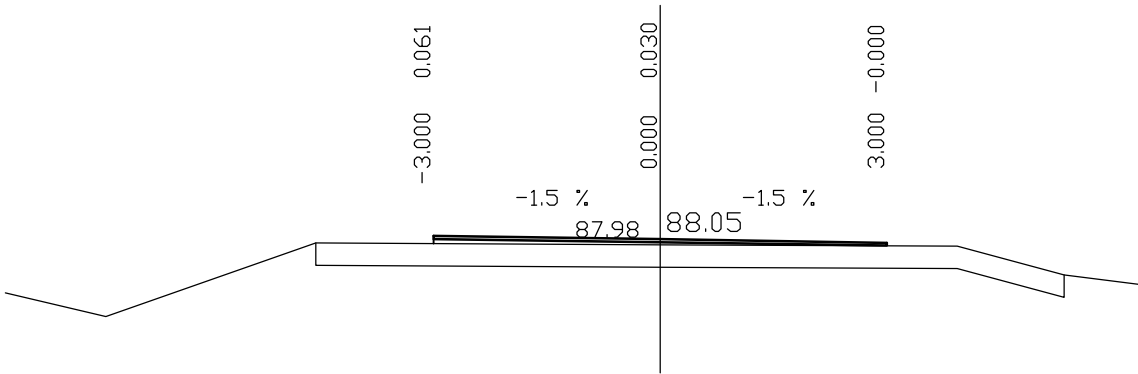
6054.70 PL=0.00 PP=0.00 W=0.1337 F=0.0000



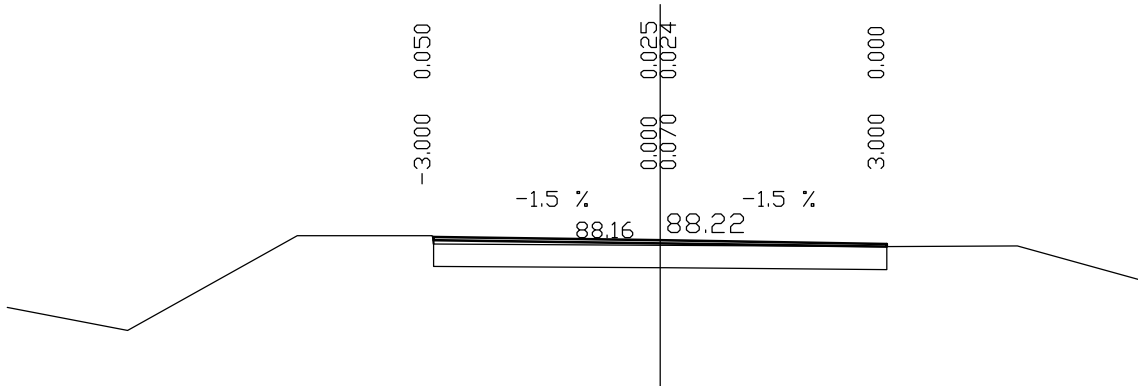
6101.10 PL=0.00 PP=0.00 W=-0.0476 F=0.0000



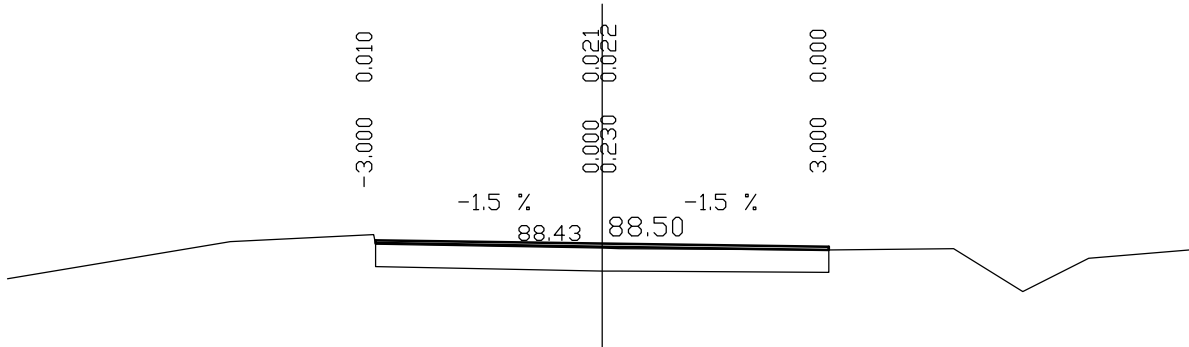
6134.40 PL=0.00 PP=0.00 W=0.1845 F=0.0000



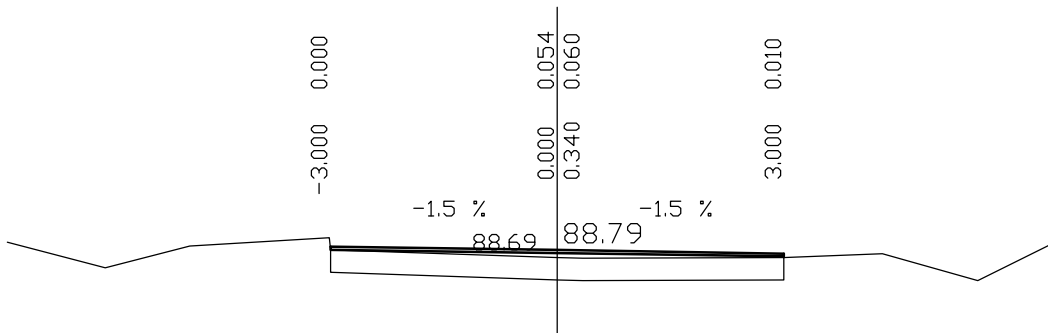
6152.00 PL=0.00 PP=0.00 W=0.1494 F=0.0000



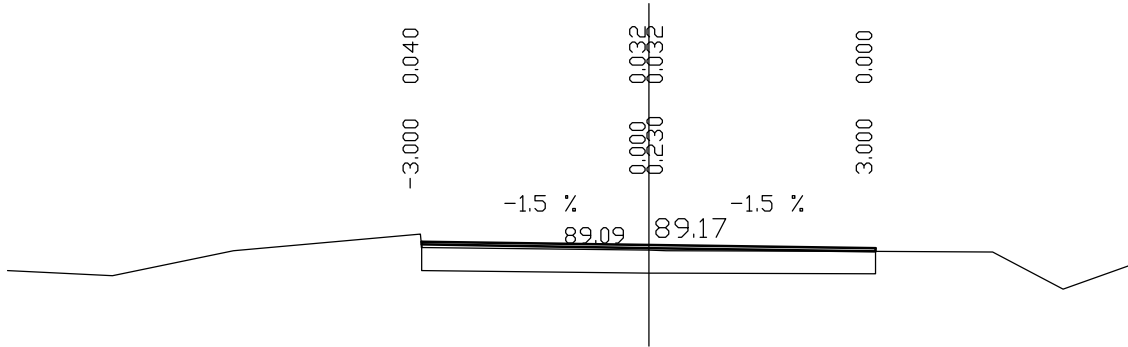
6199.50 PL=0.00 PP=0.00 W=0.0820 F=0.0000



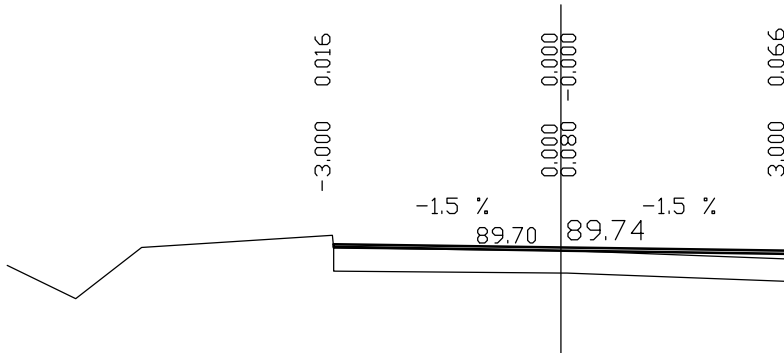
6244.00 PL=0.00 PP=0.00 W=0.1935 F=0.0000



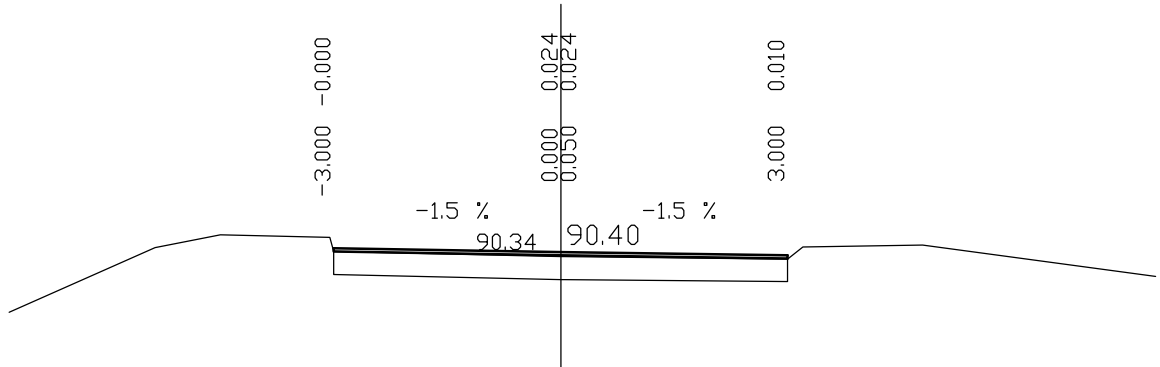
6291.20 PL=0.00 PP=0.00 W=0.1597 F=0.0000



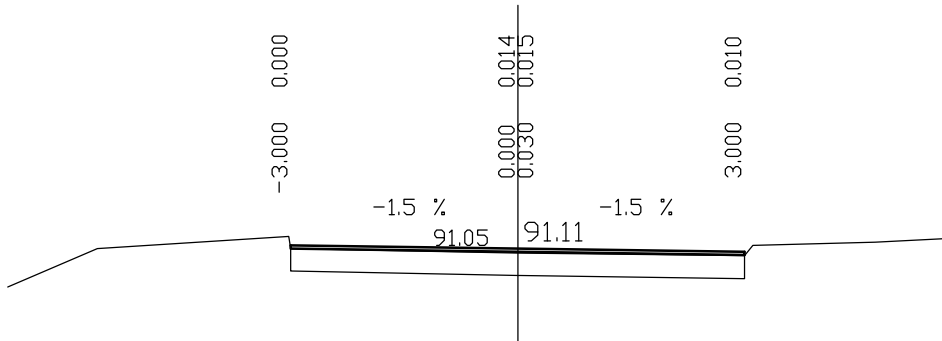
6344.20 PL=0.00 PP=0.00 W=0.1204 F=0.0000



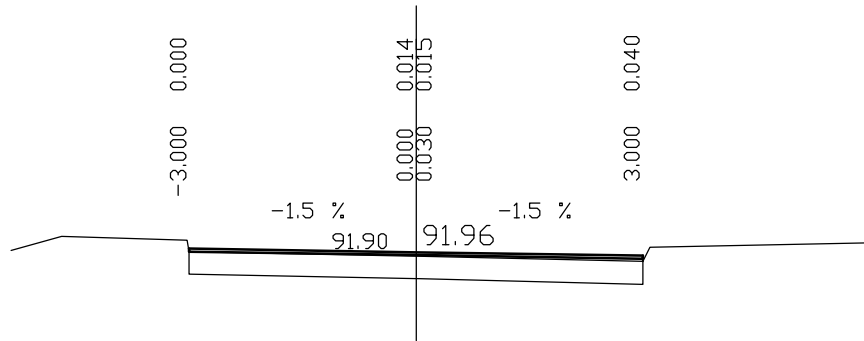
6394.90 PL=0.00 PP=0.00 W=0.0874 F=0.0000



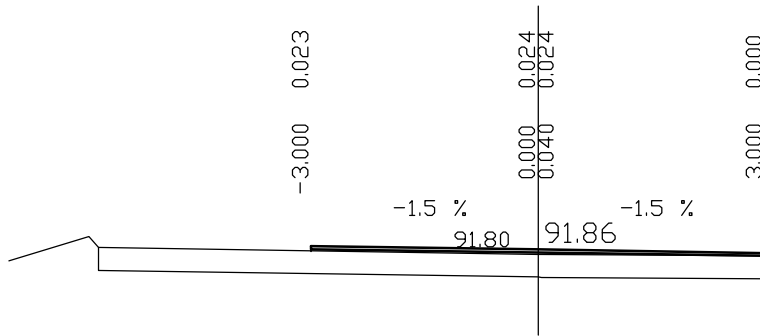
6437.60 PL=0.00 PP=0.00 W=0.0601 F=0.0000



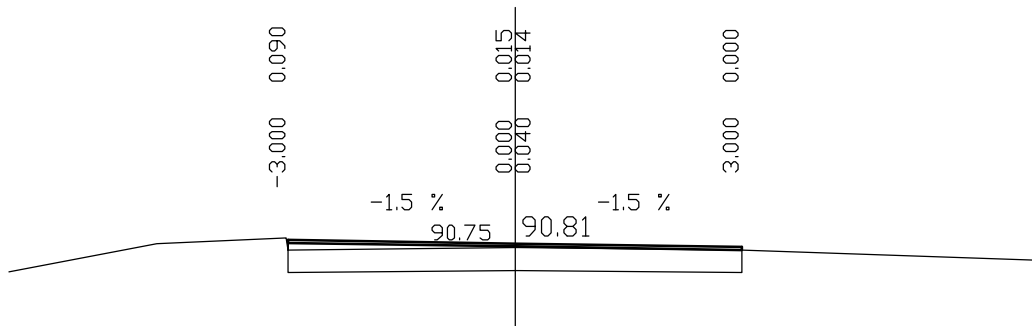
6489.90 PL=0.00 PP=0.00 W=0.1047 F=0.0000



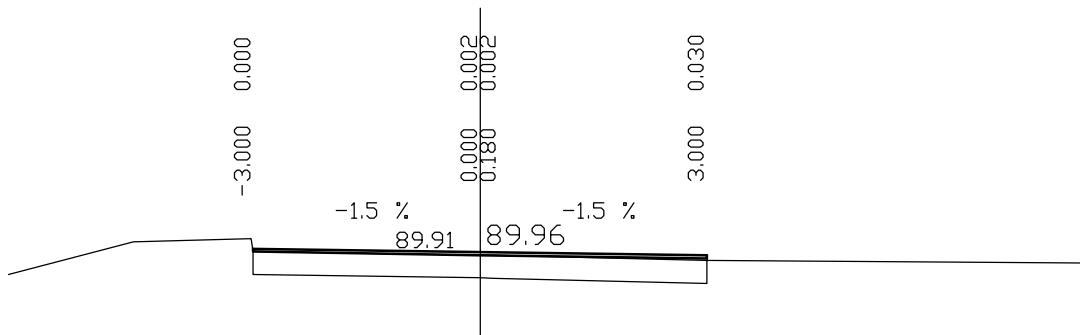
6535.40 PL=0.00 PP=0.00 W=0.1070 F=0.0000



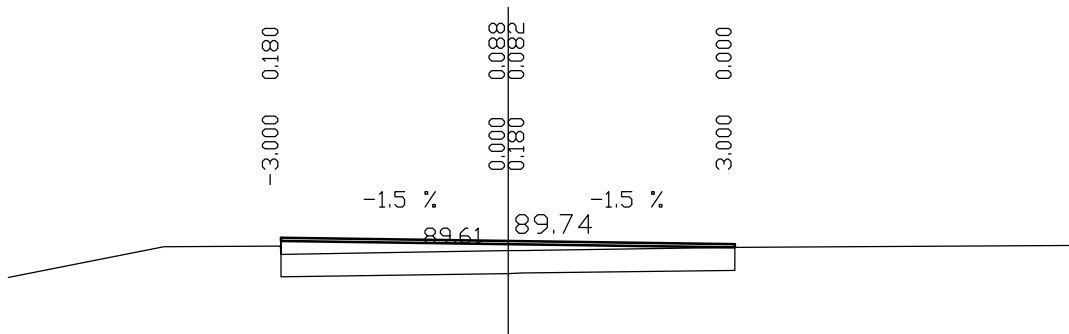
6594.30 PL=0.00 PP=0.00 W=0.1788 F=0.0000



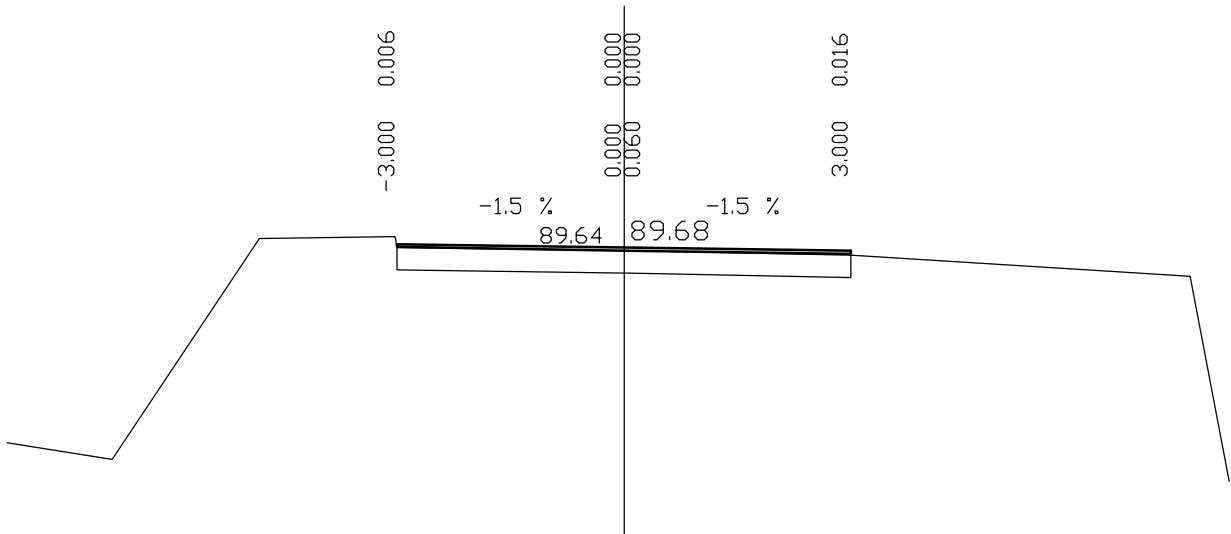
6638.00 PL=0.00 PP=0.00 W=0.0485 F=0.0000



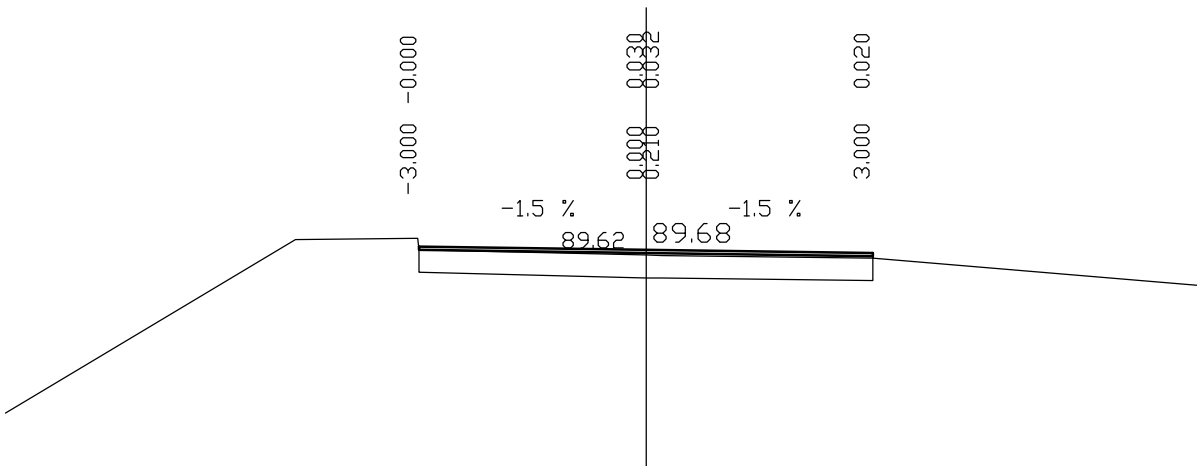
6677.70 PL=0.00 PP=0.00 W=0.5329 F=0.0000



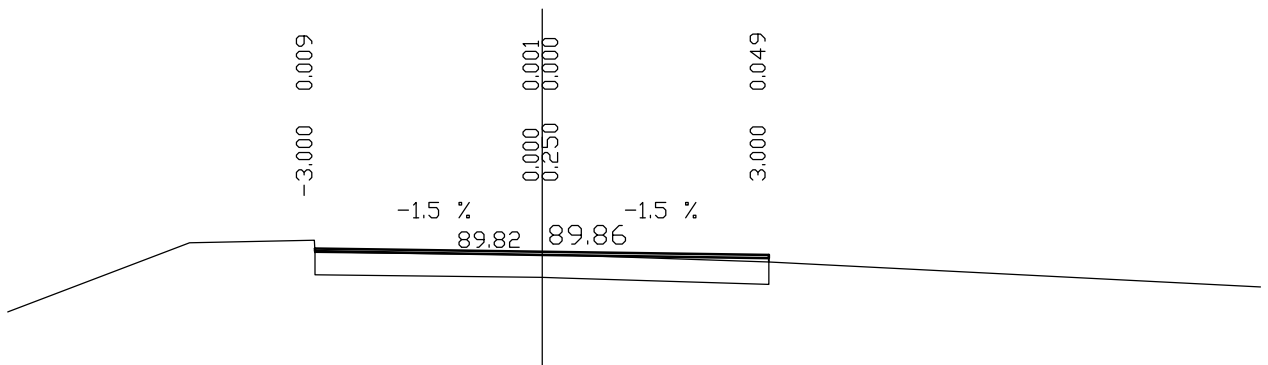
6721.40 PL=0.00 PP=0.00 W=0.0325 F=0.0000



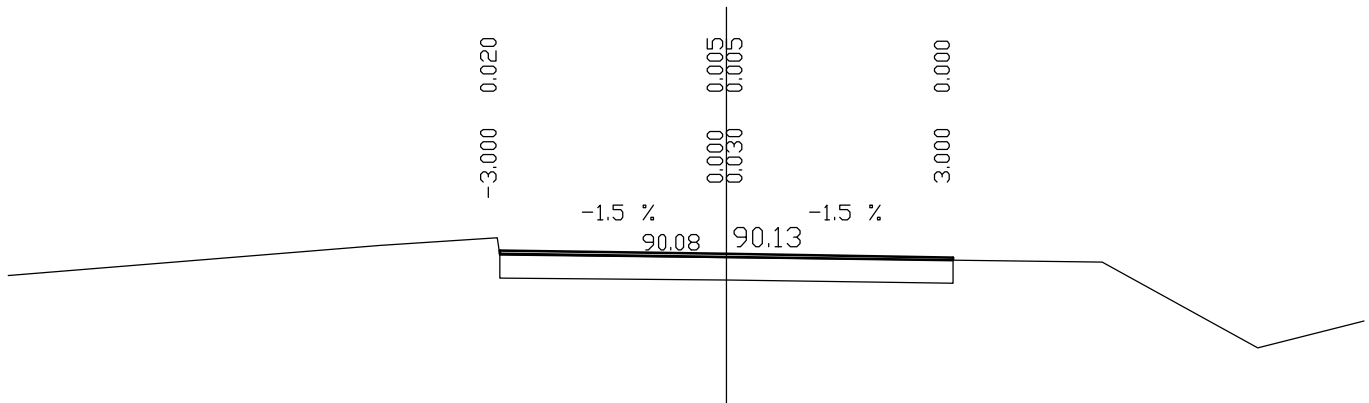
6768.10 PL=0.00 PP=0.00 W=0.1241 F=0.0000



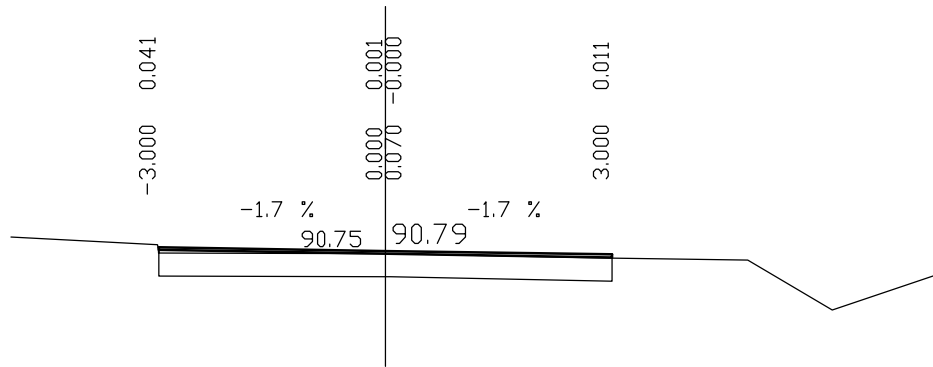
6815.30 PL=0.00 PP=0.00 W=0.0825 F=0.0000



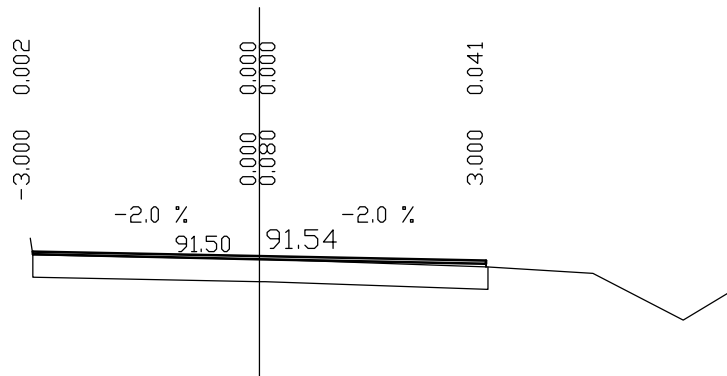
6858.50 PL=0.00 PP=0.00 W=0.0451 F=0.0000



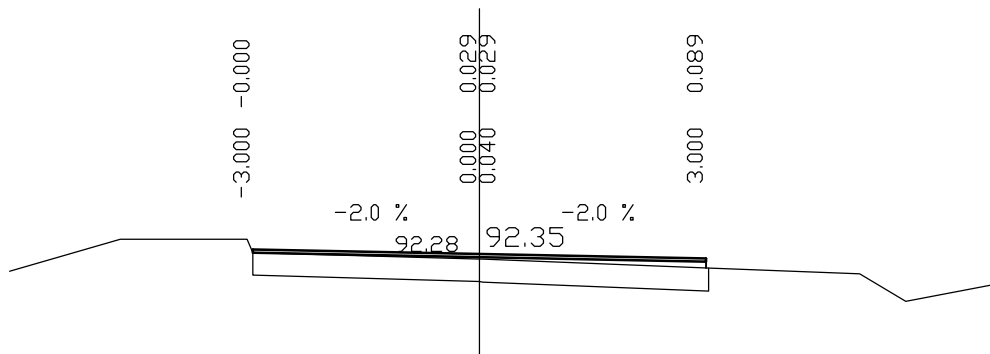
6902.80 PL=0.00 PP=0.00 W=0.0791 F=0.0000



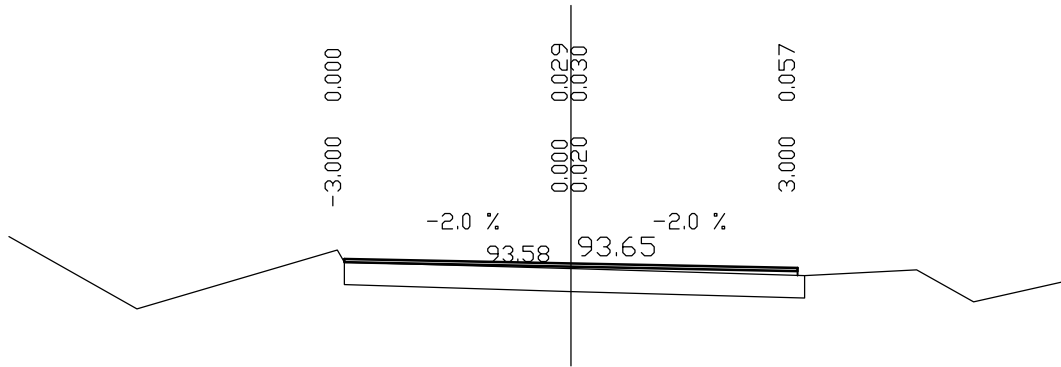
6945.30 PL=0.00 PP=0.00 W=0.0644 F=0.0000



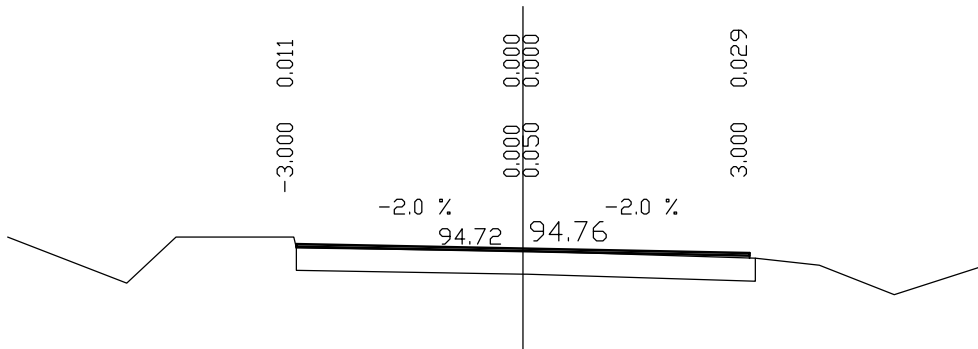
6982.80 PL=0.00 PP=0.00 W=0.2194 F=0.0000



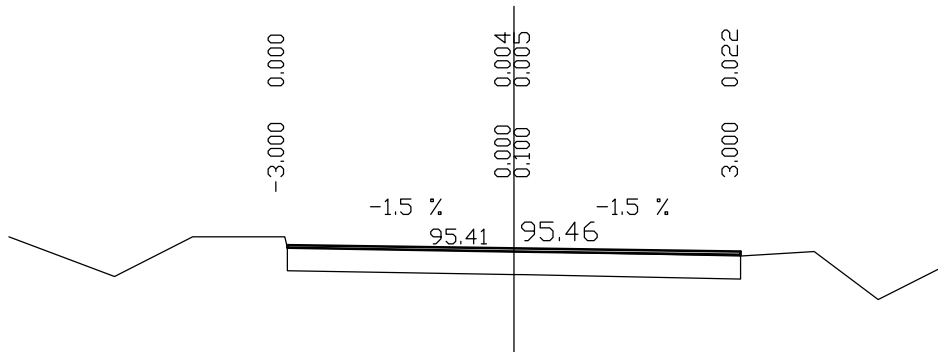
7043.40 PL=0.00 PP=0.00 W=0.1752 F=0.0000



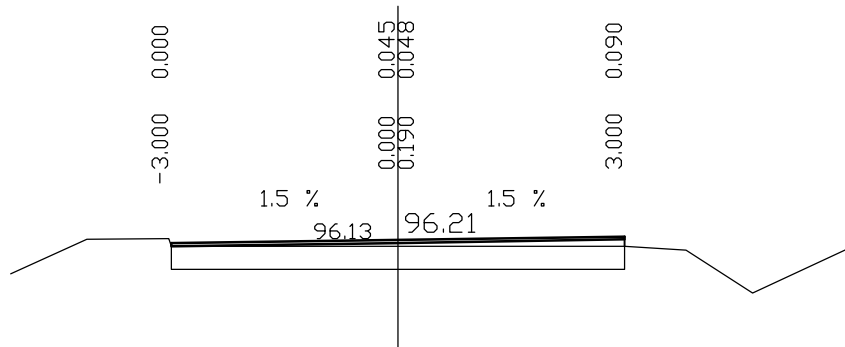
7097.60 PL=0.00 PP=0.00 W=0.0593 F=0.0000



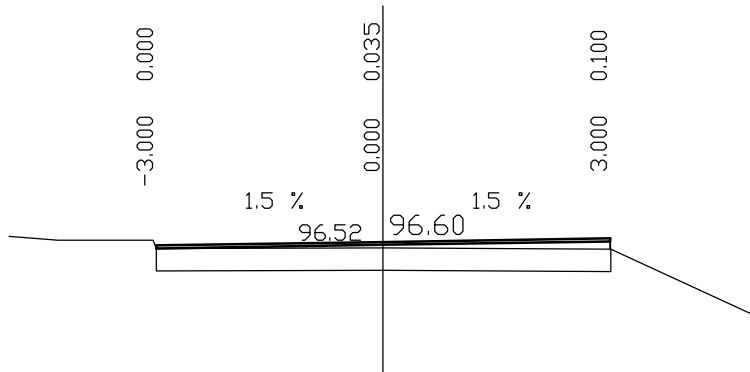
7130.50 PL=0.00 PP=0.00 W=0.0457 F=0.0000



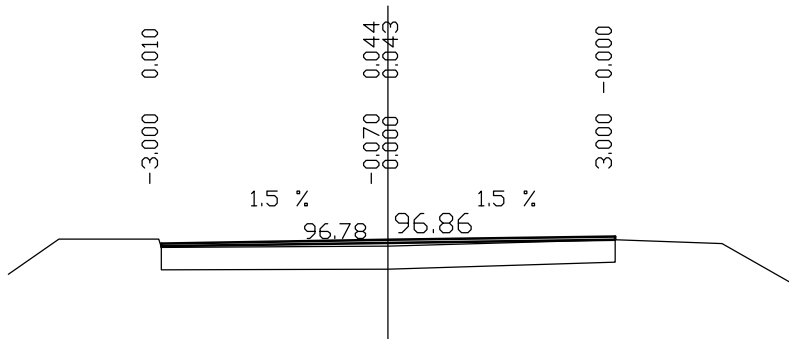
7163.50 PL=0.00 PP=0.00 W=0.2702 F=0.0000



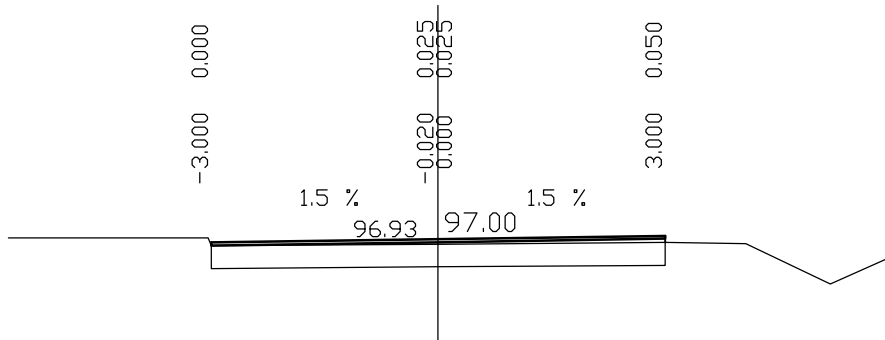
7184.60 PL=0.00 PP=0.00 W=0.2550 F=0.0000



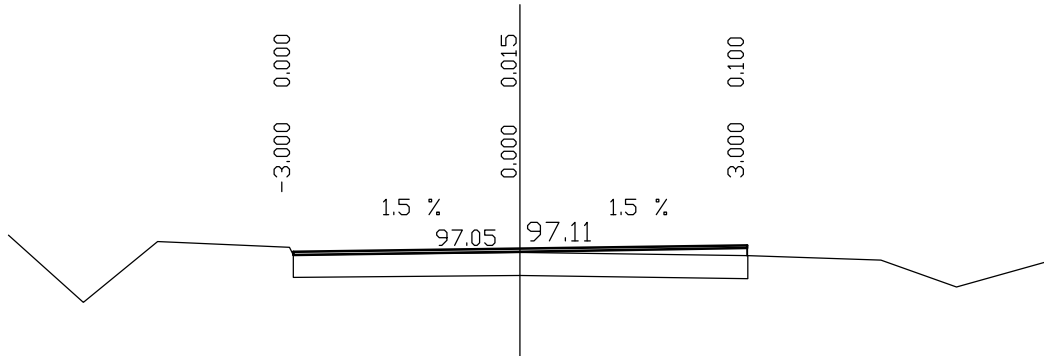
7224.40 PL=0.00 PP=0.00 W=0.1467 F=0.0000



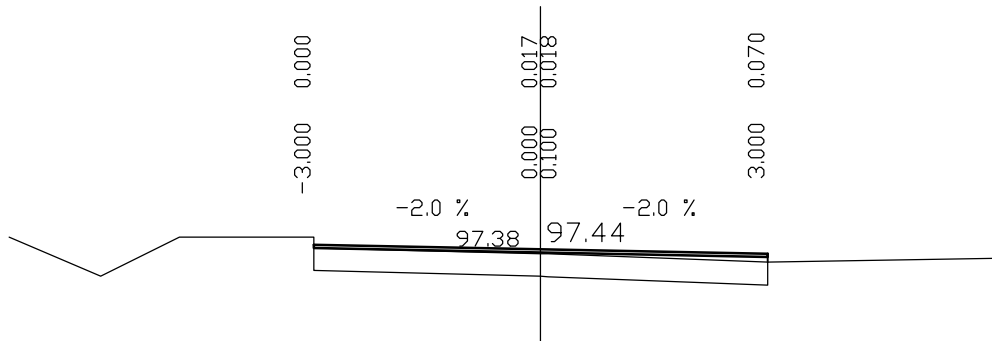
7260.20 PL=0.00 PP=0.00 W=0.1503 F=0.0000



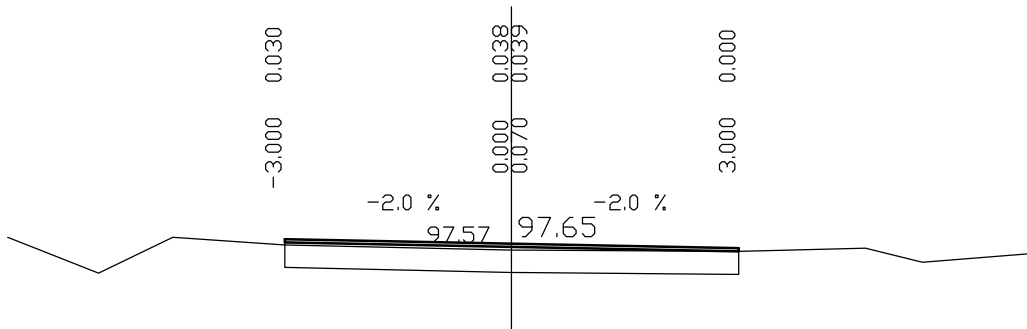
7296.10 PL=0.00 PP=0.00 W=0.1950 F=0.0000



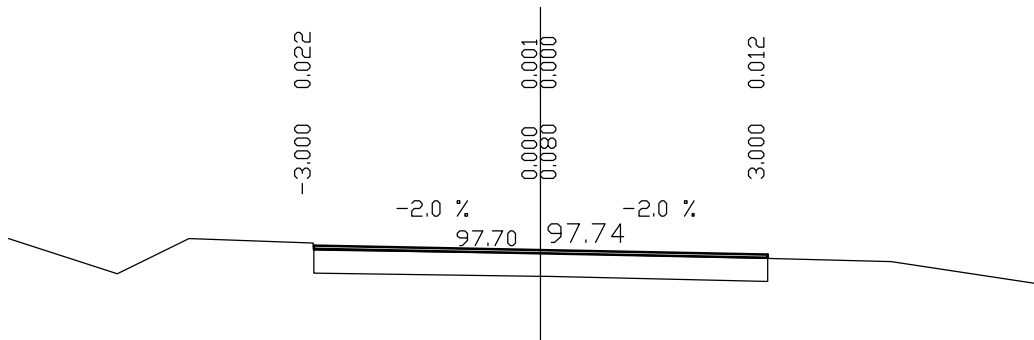
7398.50 PL=0.00 PP=0.00 W=0.1564 F=0.0000



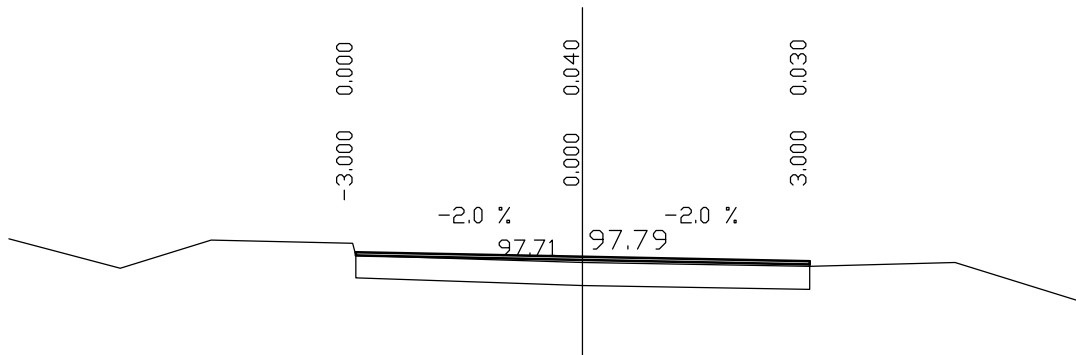
7444.70 PL=0.00 PP=0.00 W=0.1633 F=0.0000



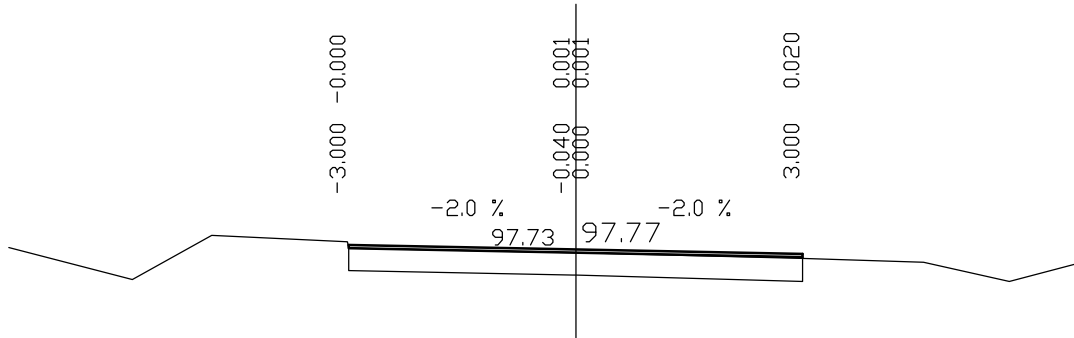
7489.30 PL=0.00 PP=0.00 W=0.0520 F=0.0000



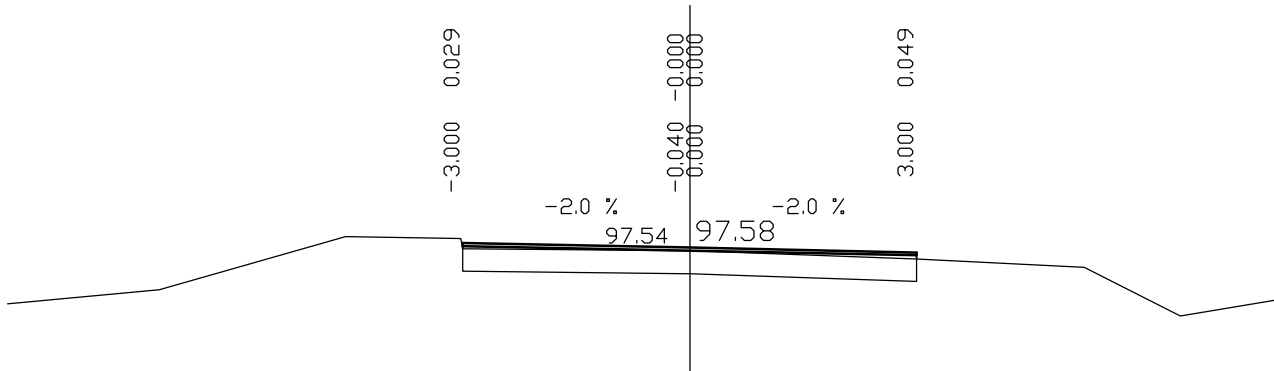
7535.90 PL=0.00 PP=0.00 W=0.1650 F=0.0000



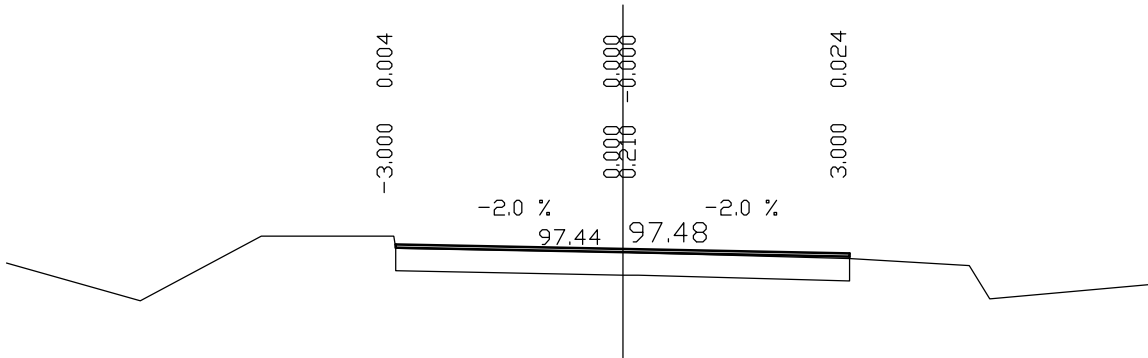
7575.50 PL=0.00 PP=0.00 W=0.0330 F=0.0000



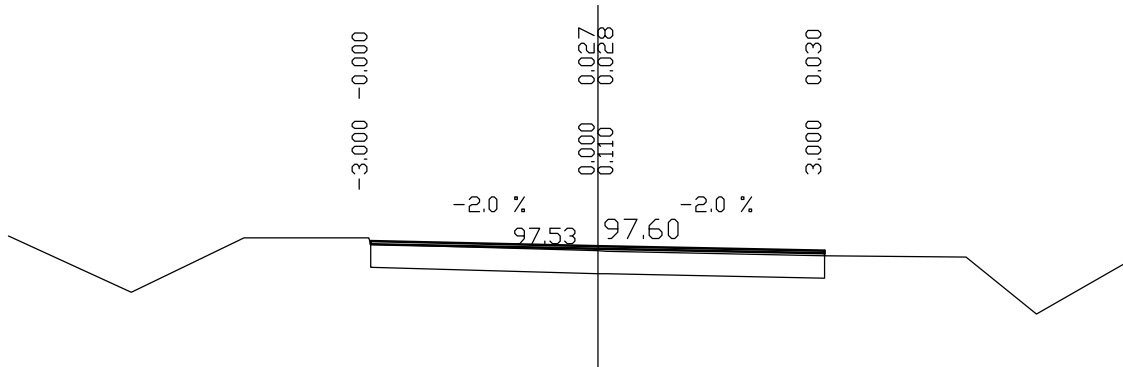
7625.40 PL=0.00 PP=0.00 W=0.1179 F=0.0000



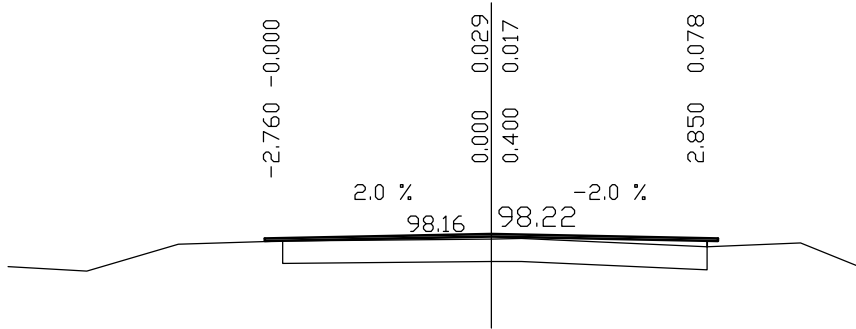
7664.70 PL=0.00 PP=0.00 W=0.0395 F=0.0000



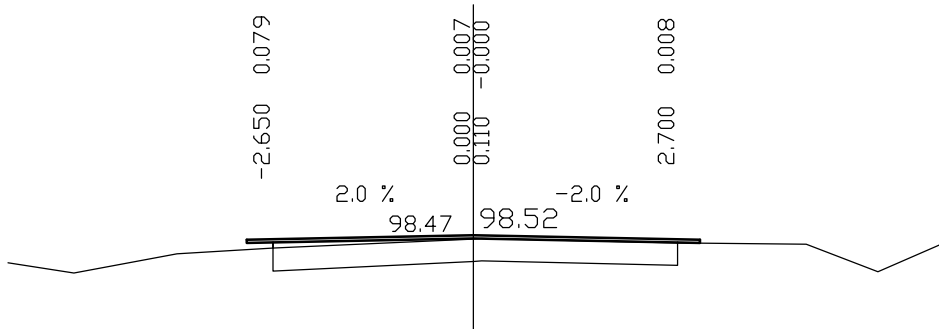
7716.30 PL=0.00 PP=0.00 W=0.1273 F=0.0000



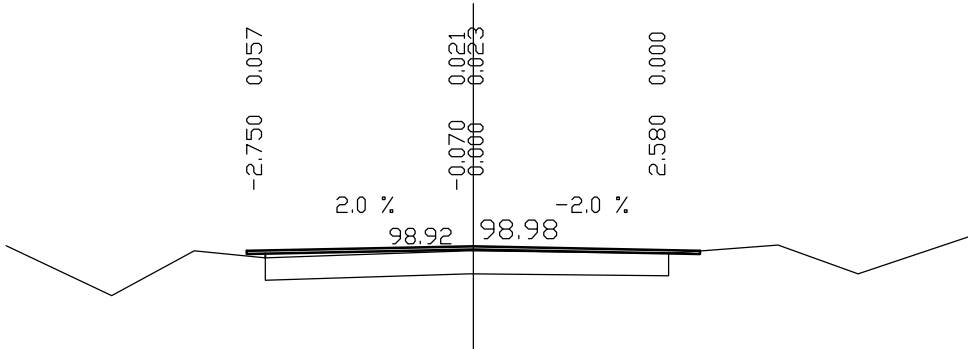
7822.40 PL=0.24 PP=0.15 W=0.1656 F=0.0000



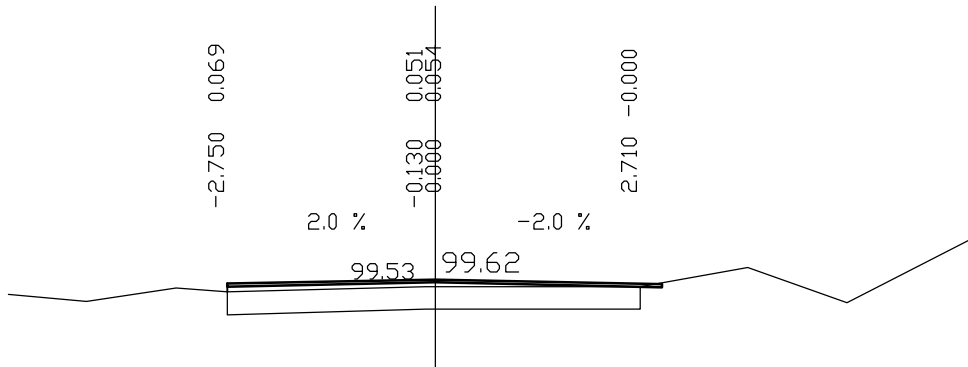
7857.30 PL=0.35 PP=0.30 W=0.1248 F=0.0000



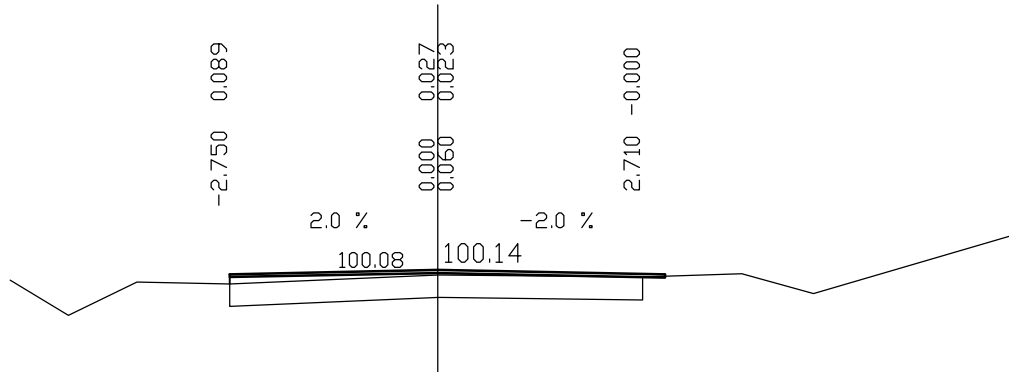
7908.70 PL=0.25 PP=0.42 W=0.1371 F=0.0000



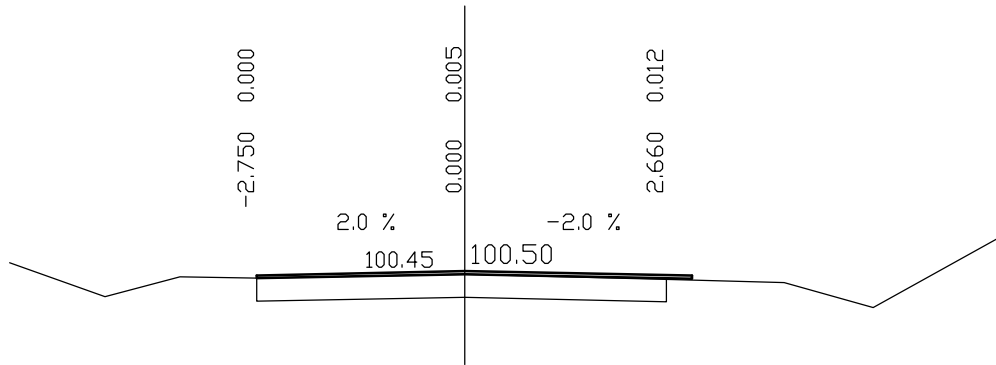
7960.60 PL=0.00 PP=0.29 W=0.2386 F=0.0000



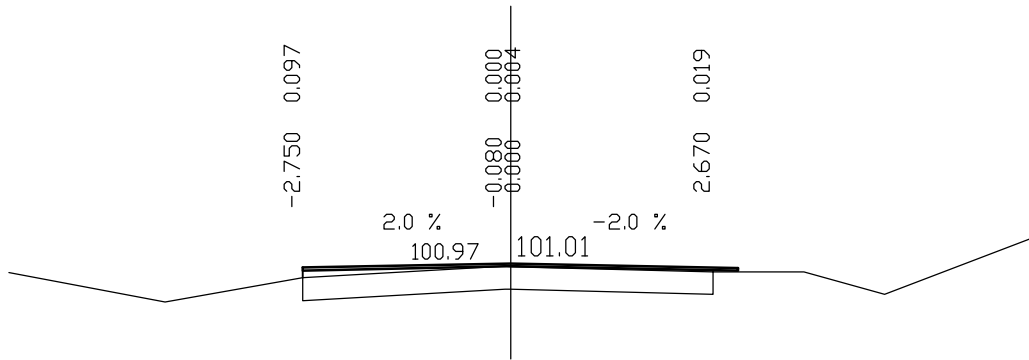
8012.20 PL=0.00 PP=0.29 W=0.1915 F=0.0000



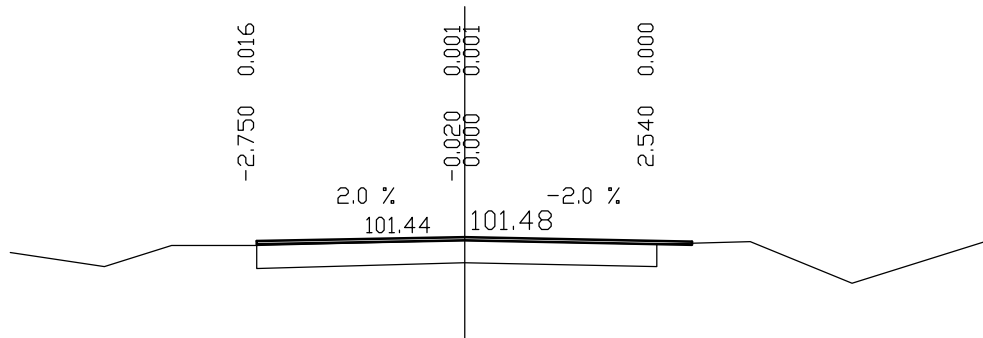
8057.00 PL=0.00 PP=0.34 W=0.0295 F=0.0000



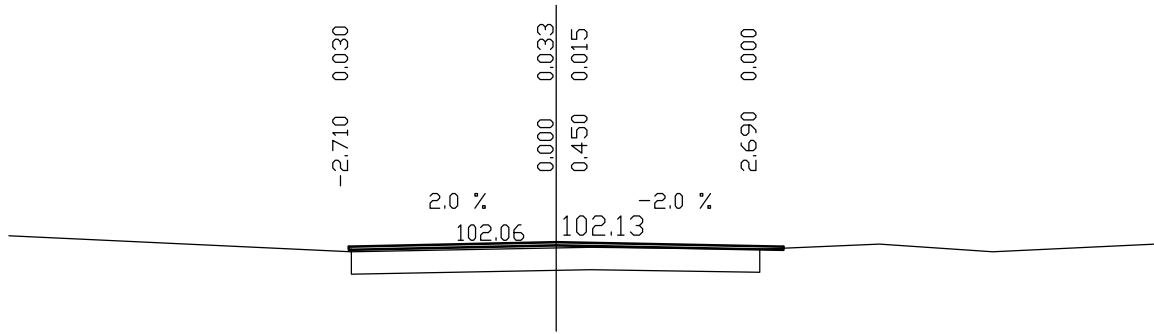
8110.50 PL=0.00 PP=0.33 W=0.1604 F=0.0000



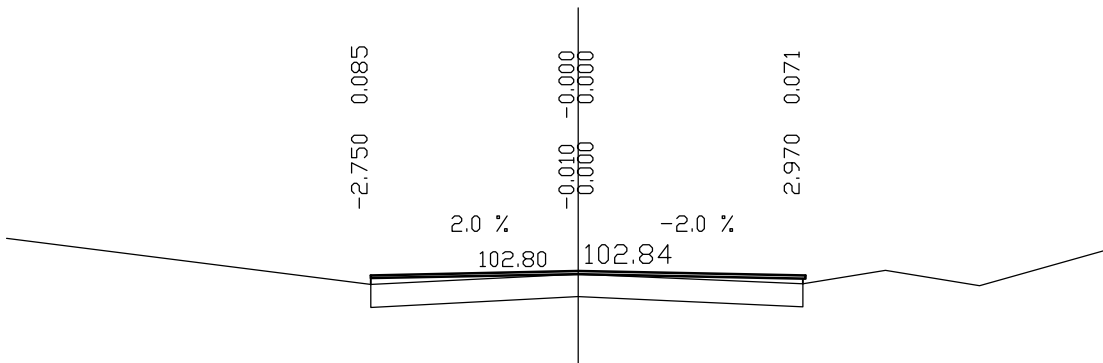
8161.50 PL=0.00 PP=0.46 W=0.0245 F=0.0000



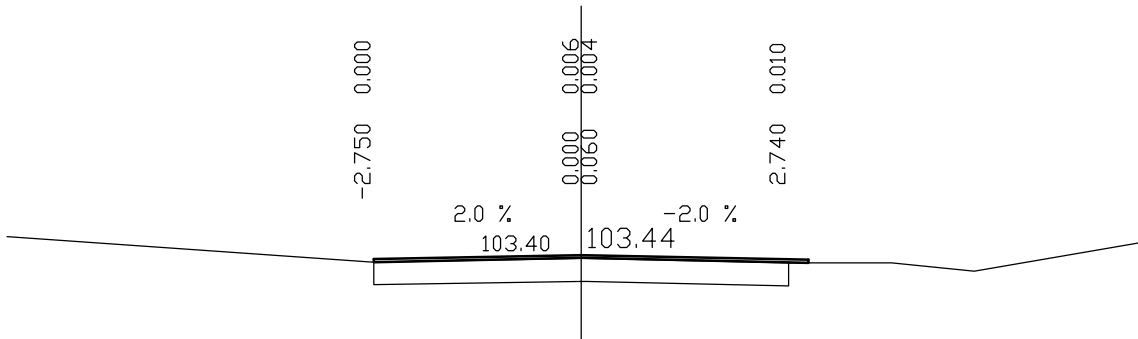
8218.30 PL=0.04 PP=0.31 W=0.1130 F=0.0000



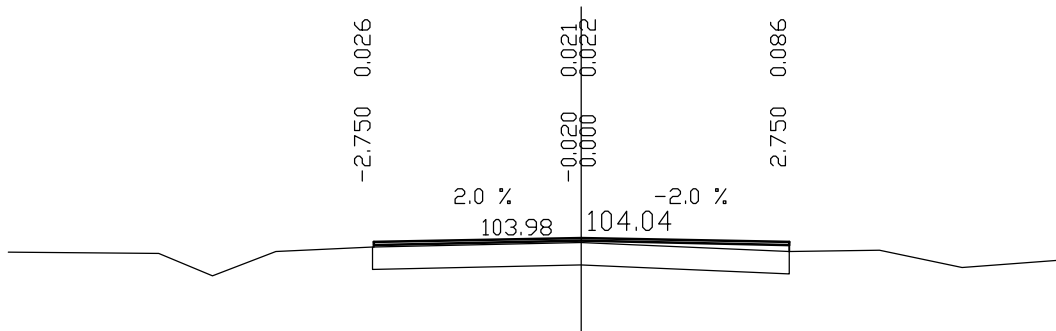
8265.50 PL=0.00 PP=0.03 W=0.2234 F=0.0000



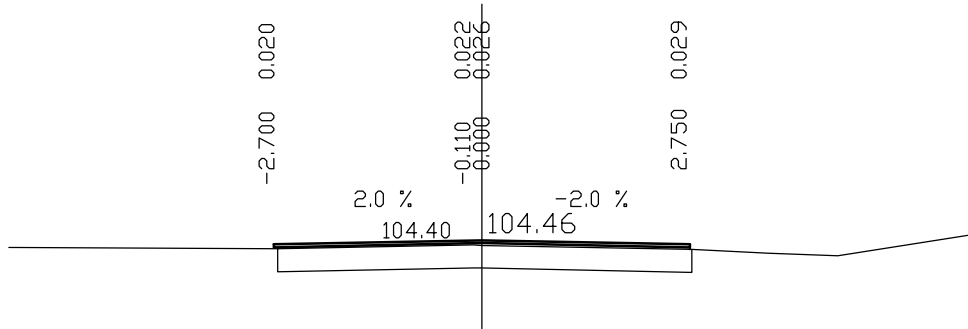
8321.90 PL=0.00 PP=0.26 W=0.0274 F=0.0000



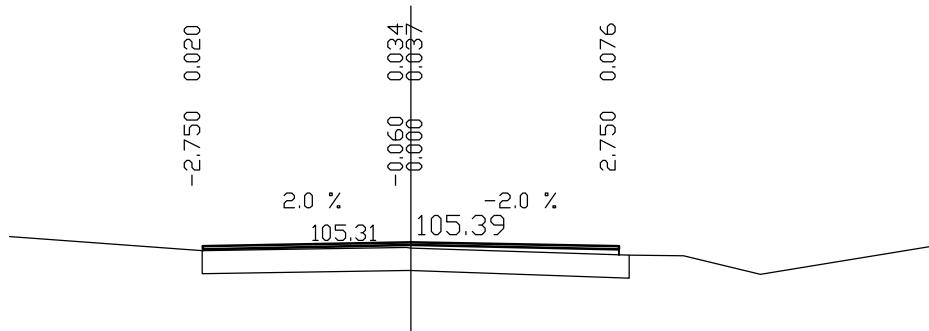
8374.50 PL=0.00 PP=0.00 W=0.2131 F=0.0000



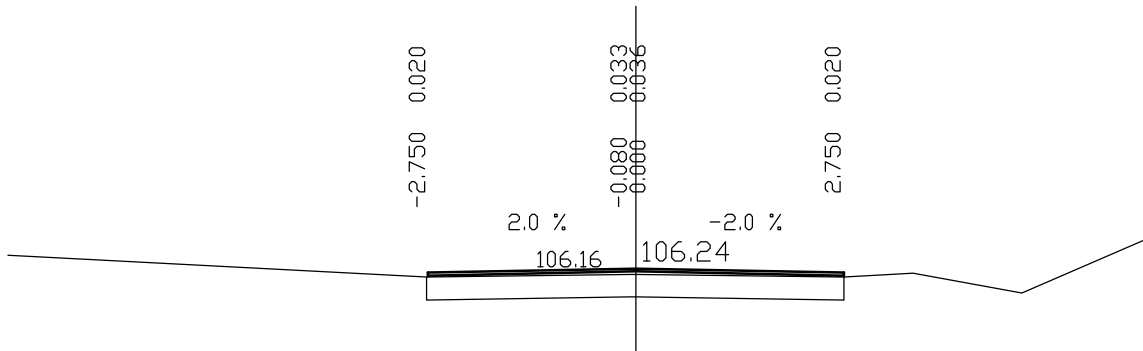
8424.80 PL=0.05 PP=0.00 W=0.1326 F=0.0000



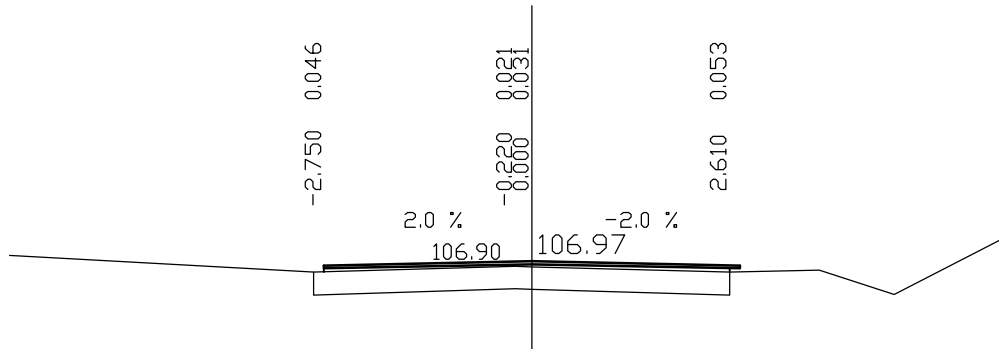
8490.60 PL=0.00 PP=0.00 W=0.2301 F=0.0000



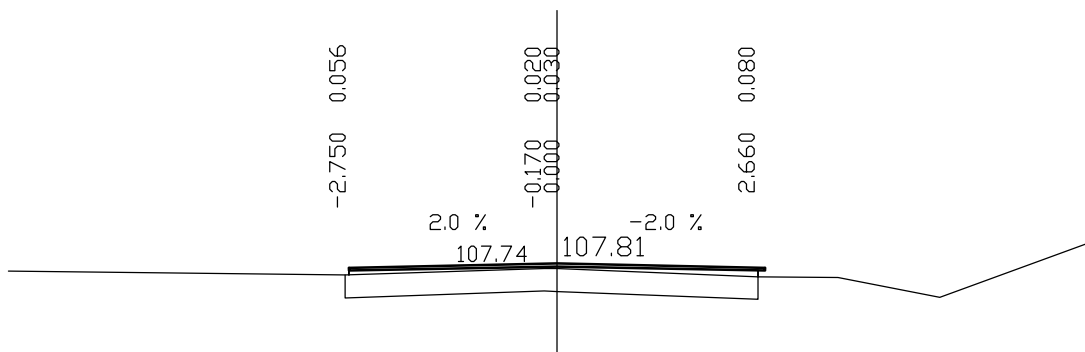
8548.60 PL=0.00 PP=0.00 W=0.1506 F=0.0000



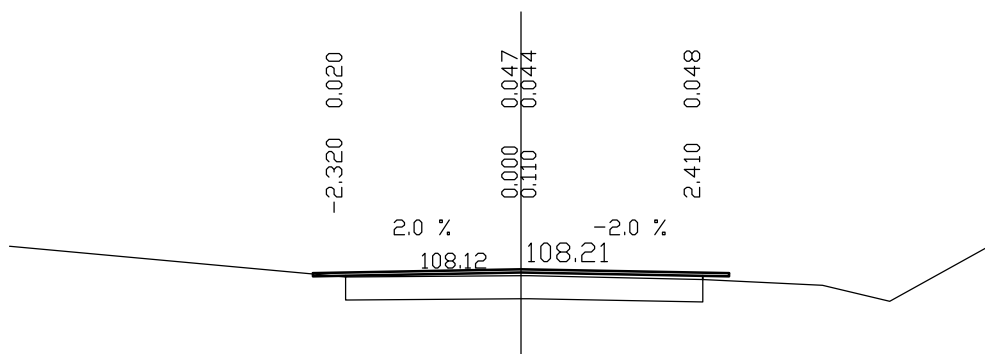
8597.00 PL=0.00 PP=0.14 W=0.2001 F=0.0000



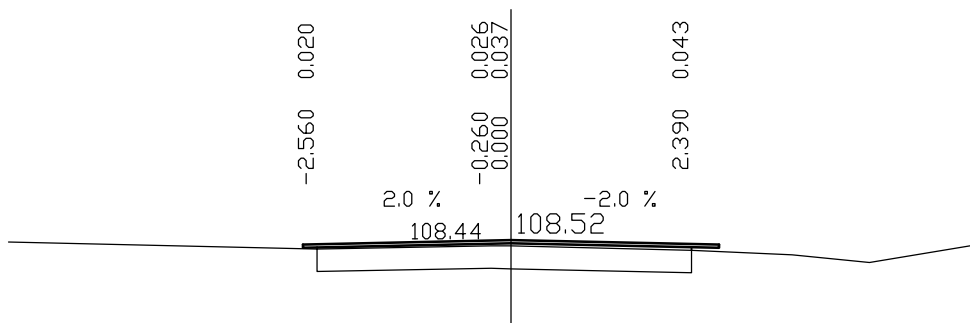
8650.10 PL=0.00 PP=0.09 W=0.2486 F=0.0000



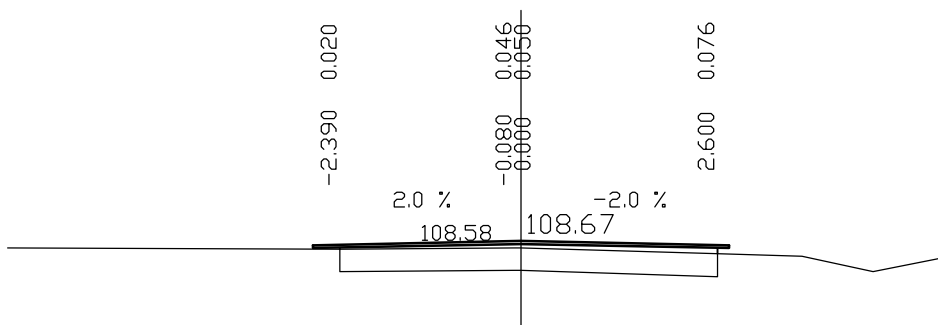
8708.30 PL=0.43 PP=0.34 W=0.1885 F=0.0000



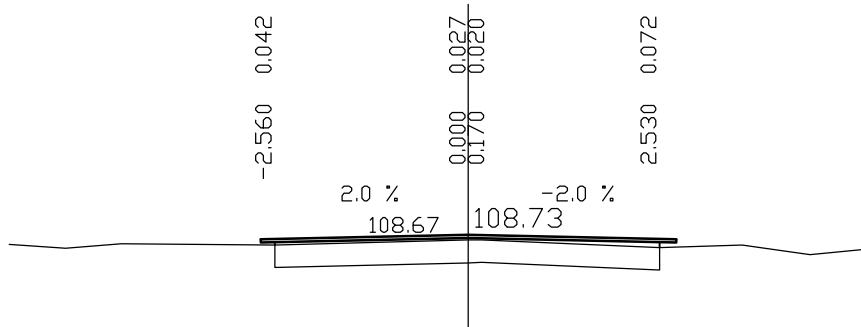
8756.10 PL=0.19 PP=0.36 W=0.1567 F=0.0000



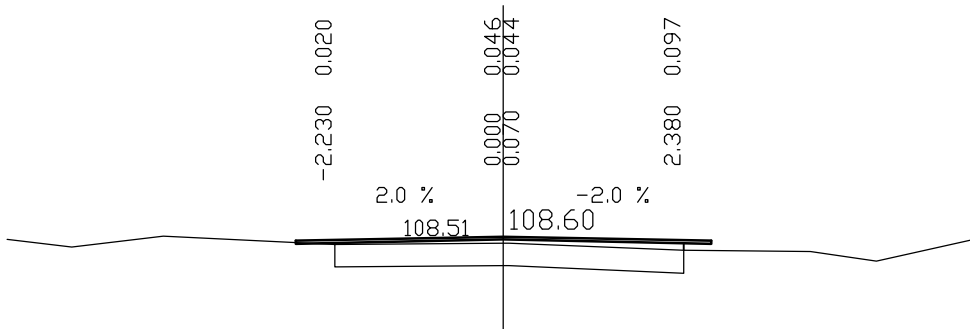
8812.30 PL=0.36 PP=0.15 W=0.2438 F=0.0000



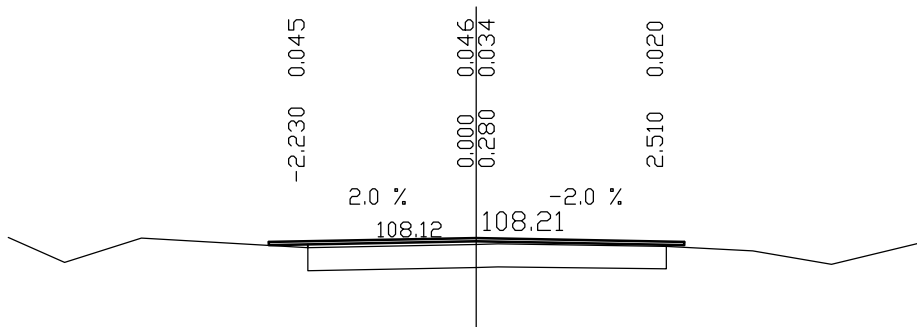
8890.50 PL=0.19 PP=0.22 W=0.2020 F=0.0000



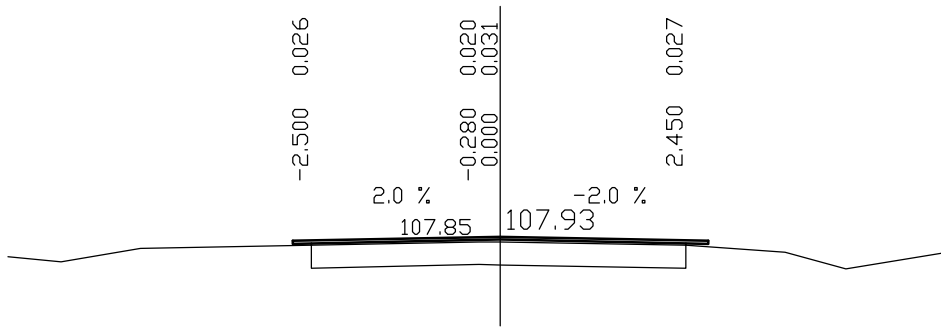
8953.40 PL=0.52 PP=0.37 W=0.2408 F=0.0000



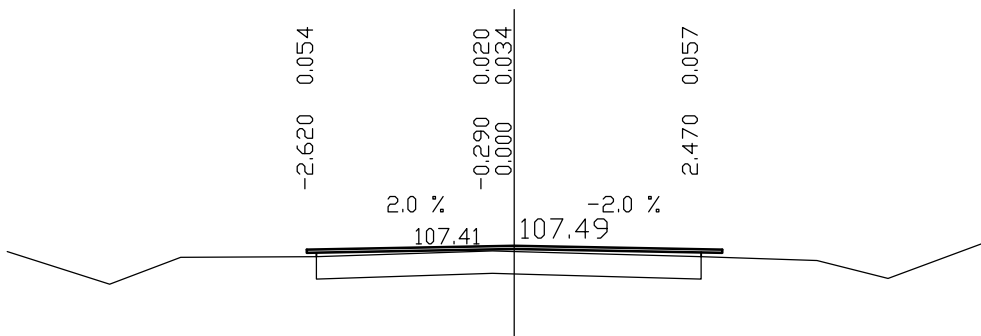
9006.90 PL=0.52 PP=0.24 W=0.1742 F=0.0000



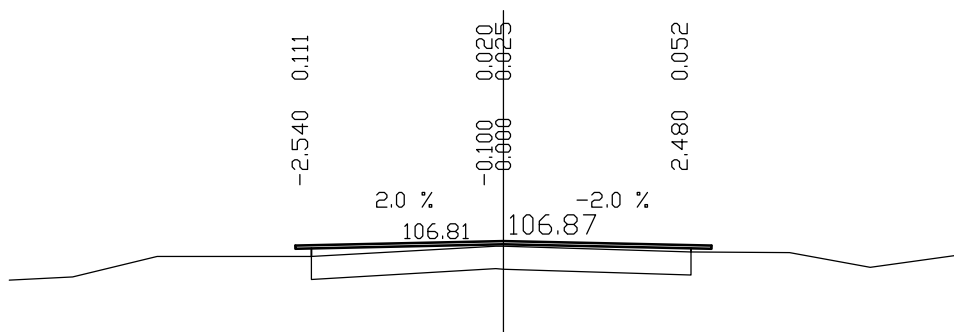
9054.20 PL=0.25 PP=0.30 W=0.1306 F=0.0000



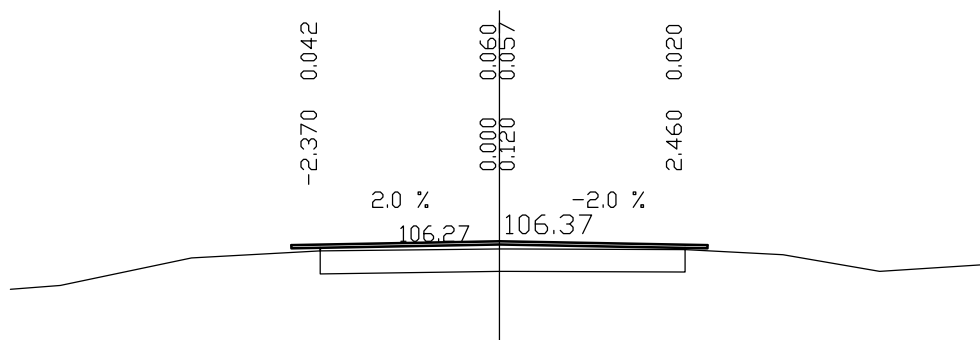
9096.70 PL=0.13 PP=0.28 W=0.2078 F=0.0000



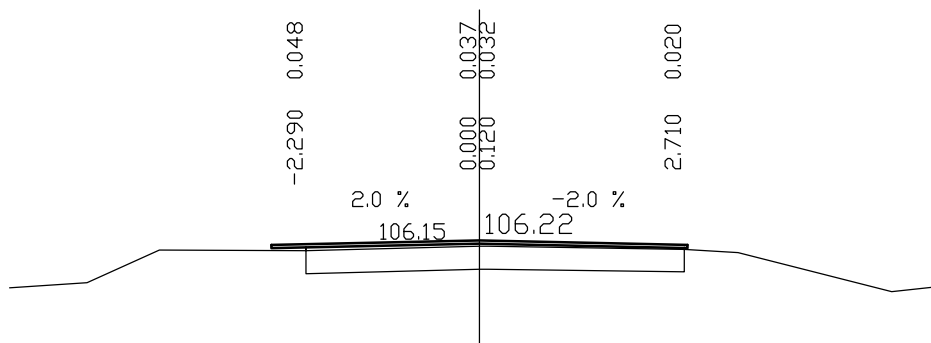
9154.30 PL=0.21 PP=0.27 W=0.2576 F=0.0000



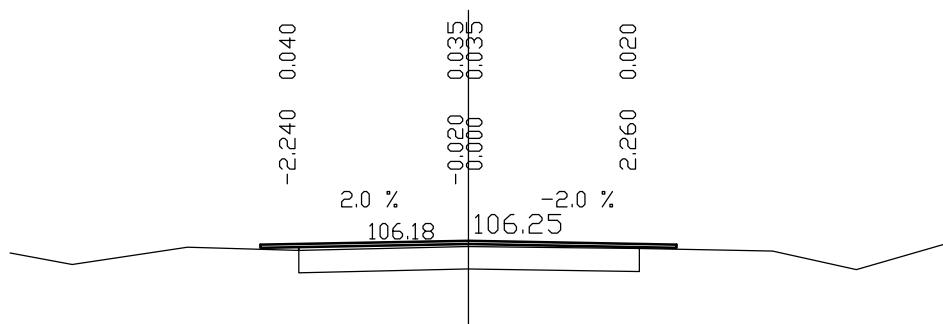
9208.40 PL=0.38 PP=0.29 W=0.2193 F=0.0000



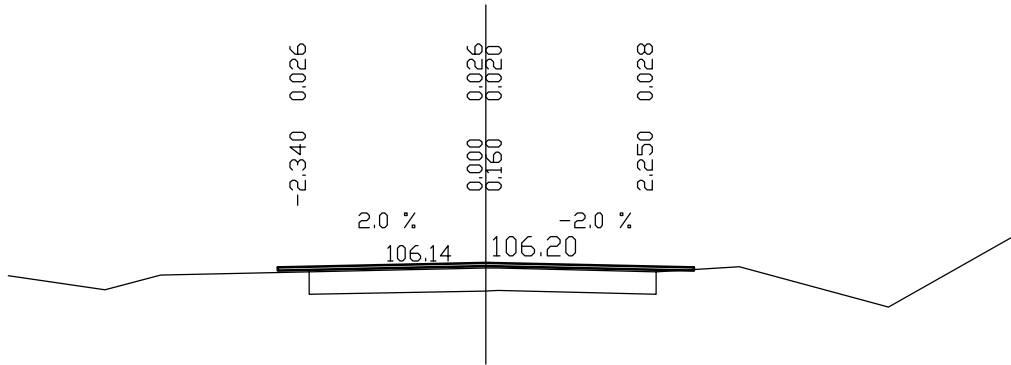
9254.30 PL=0.46 PP=0.04 W=0.1688 F=0.0000



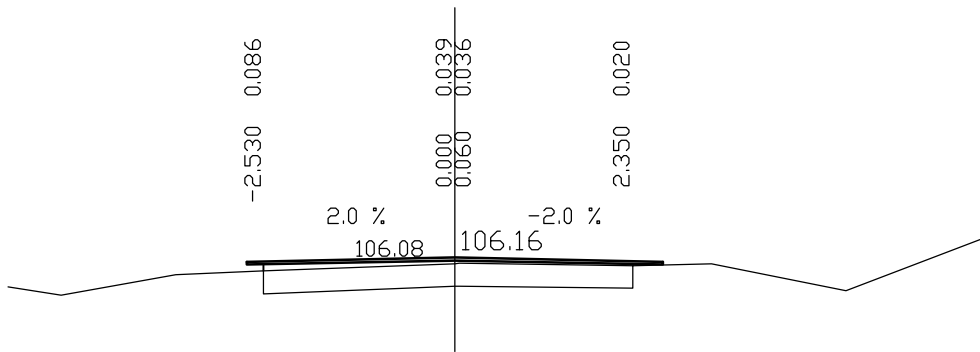
9300.10 PL=0.51 PP=0.49 W=0.1462 F=0.0000



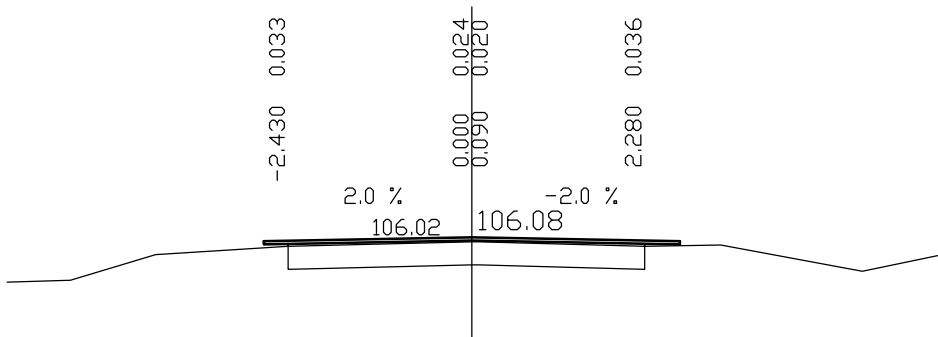
9327.20 PL=0.41 PP=0.50 W=0.1147 F=0.0000



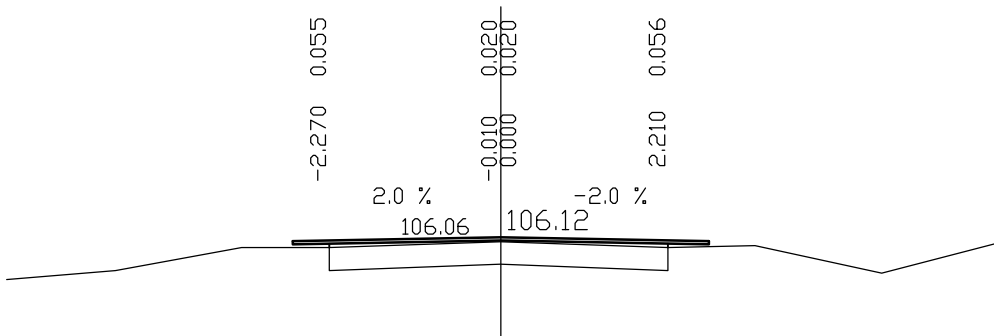
9364.50 PL=0.22 PP=0.40 W=0.2245 F=0.0000



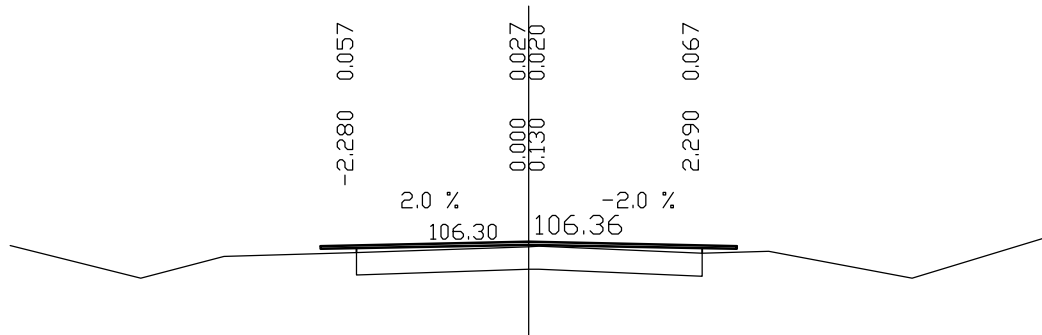
9401.30 PL=0.32 PP=0.47 W=0.1349 F=0.0000



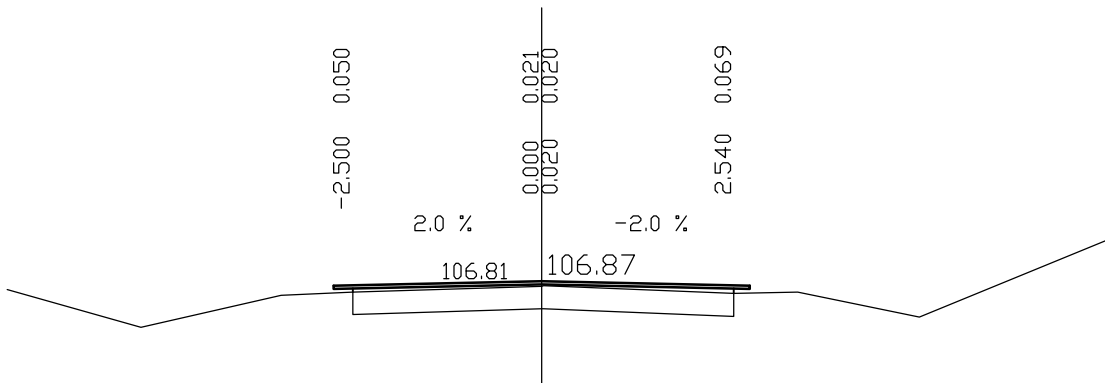
9439.40 PL=0.48 PP=0.54 W=0.1690 F=0.0000



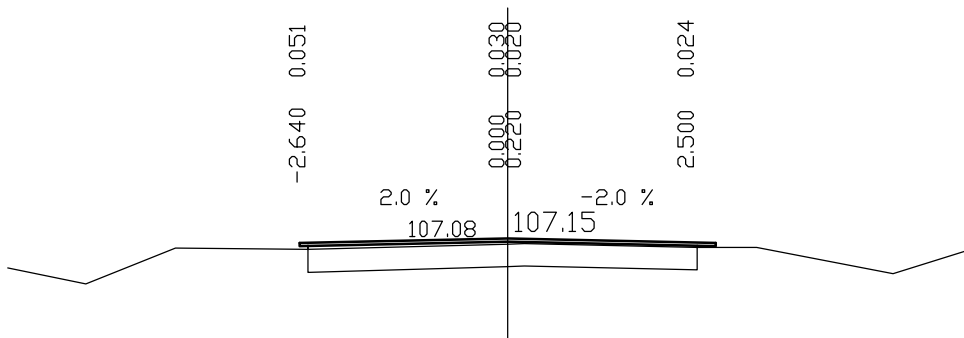
9479.50 PL=0.47 PP=0.46 W=0.1929 F=0.0000



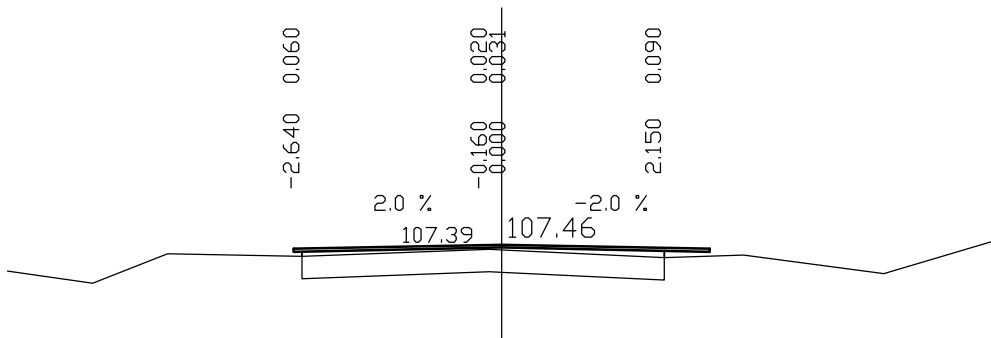
9521.00 PL=0.25 PP=0.21 W=0.2013 F=0.0000



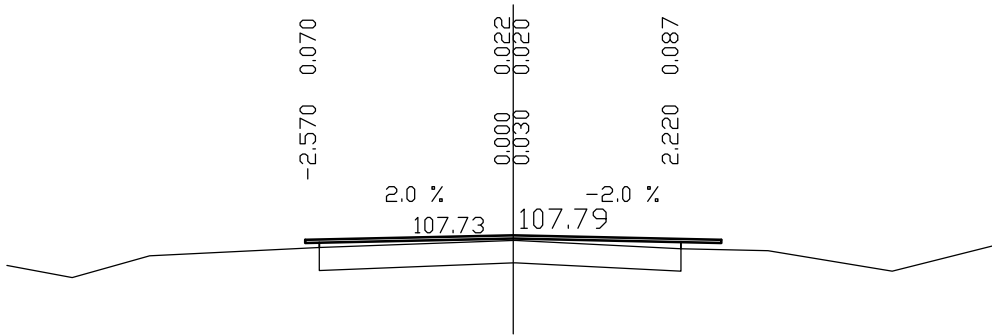
9561.10 PL=0.11 PP=0.25 W=0.1626 F=0.0000



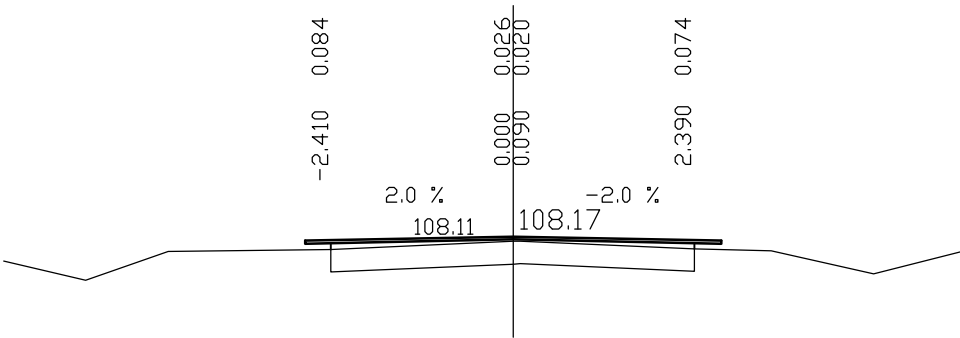
9599.70 PL=0.11 PP=0.60 W=0.2334 F=0.0000



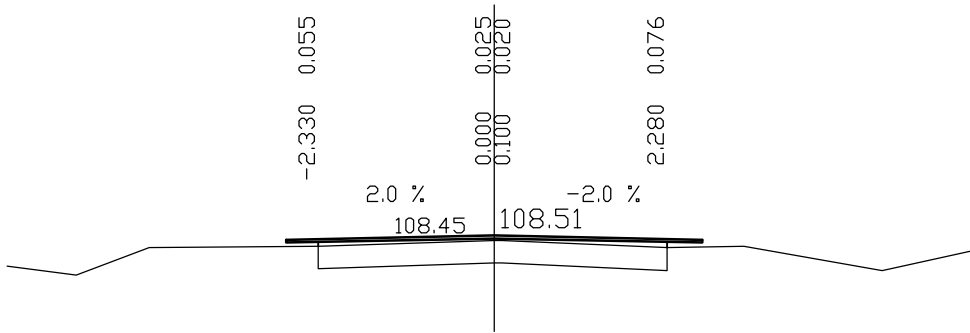
9633.70 PL=0.18 PP=0.53 W=0.2360 F=0.0000



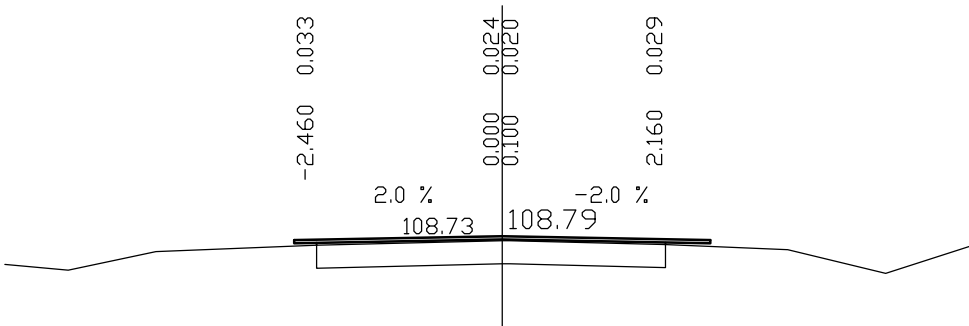
9670.50 PL=0.34 PP=0.36 W=0.2428 F=0.0000



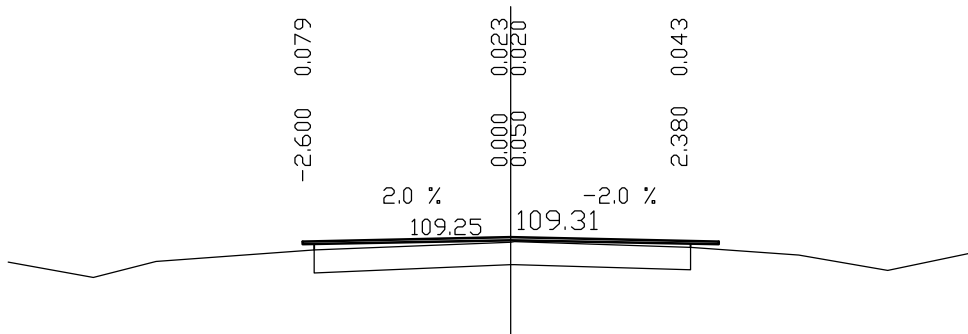
9707.10 PL=0.42 PP=0.47 W=0.2012 F=0.0000



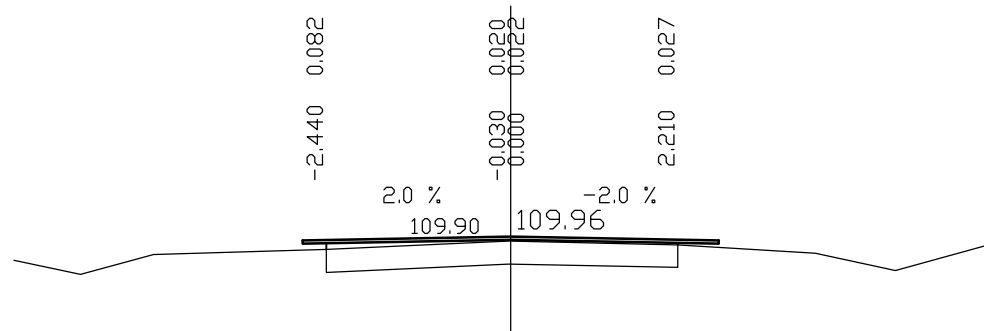
9742.60 PL=0.29 PP=0.59 W=0.1228 F=0.0000



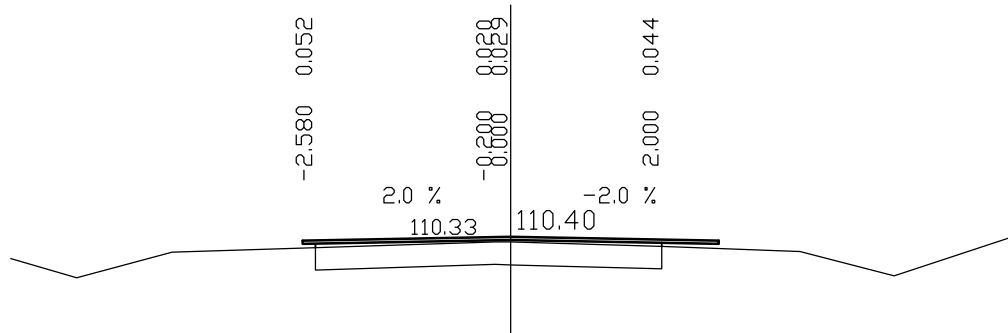
9781.60 PL=0.15 PP=0.37 W=0.2071 F=0.0000



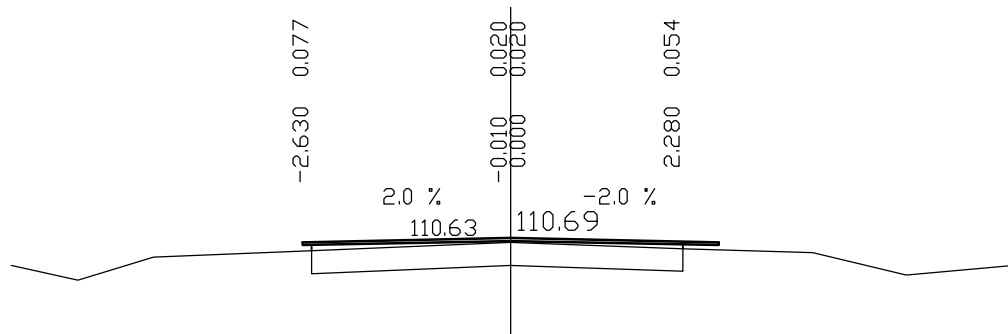
9824.60 PL=0.31 PP=0.54 W=0.1777 F=0.0000



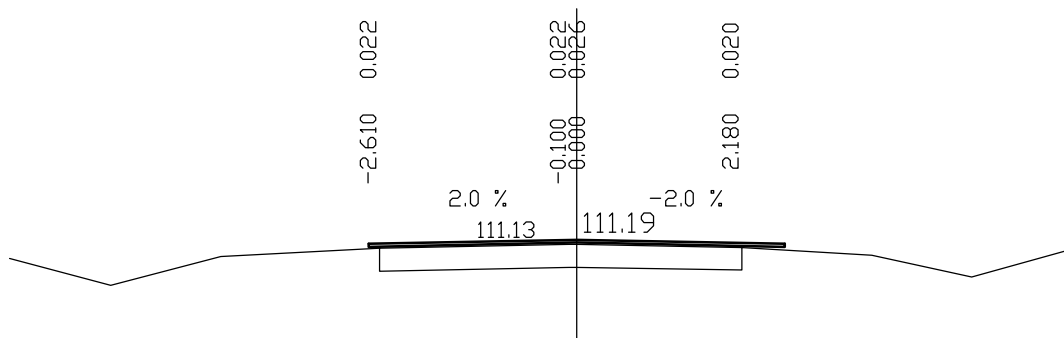
9851.90 PL=0.17 PP=0.75 W=0.1647 F=0.0000



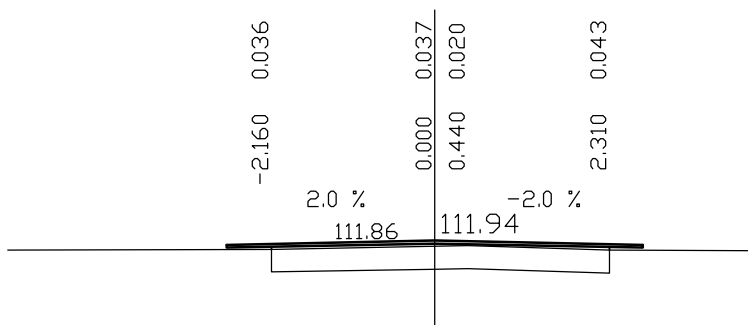
9868.00 PL=0.12 PP=0.47 W=0.2130 F=0.0000



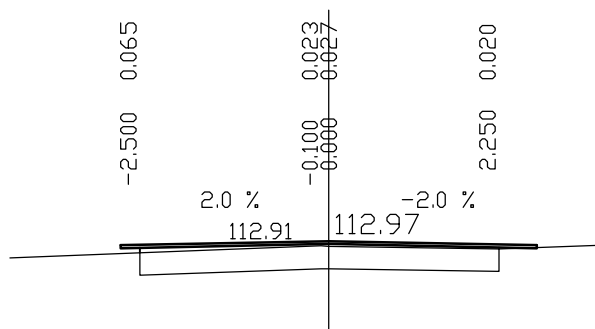
9900.90 PL=0.14 PP=0.57 W=0.1088 F=0.0000



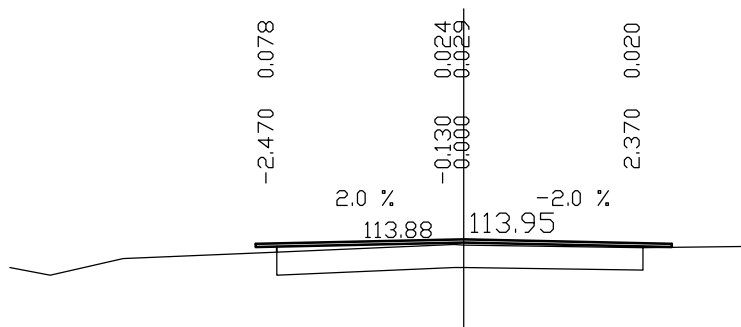
9941.50 PL=0.59 PP=0.44 W=0.1516 F=0.0000



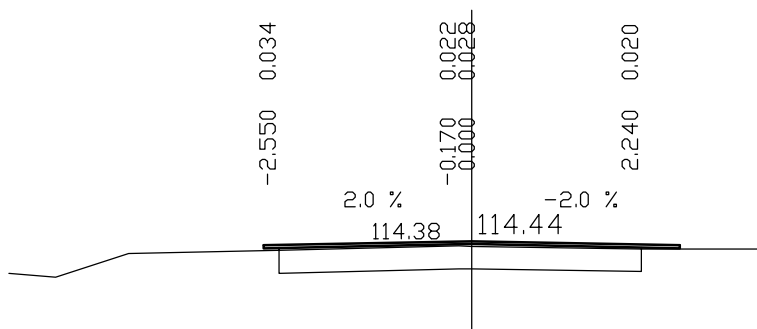
9993.40 PL=0.25 PP=0.50 W=0.1610 F=0.0000



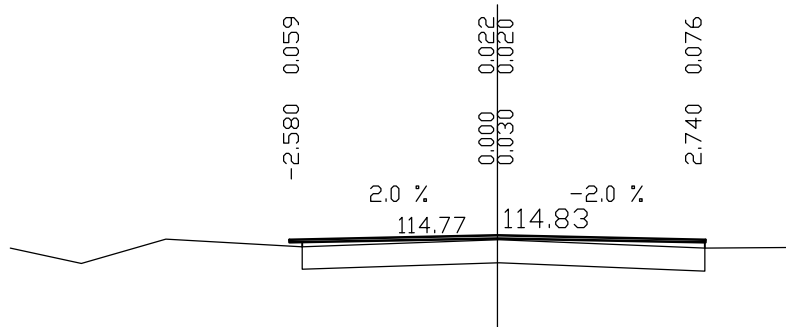
10044.30 PL=0.28 PP=0.38 W=0.1810 F=0.0000



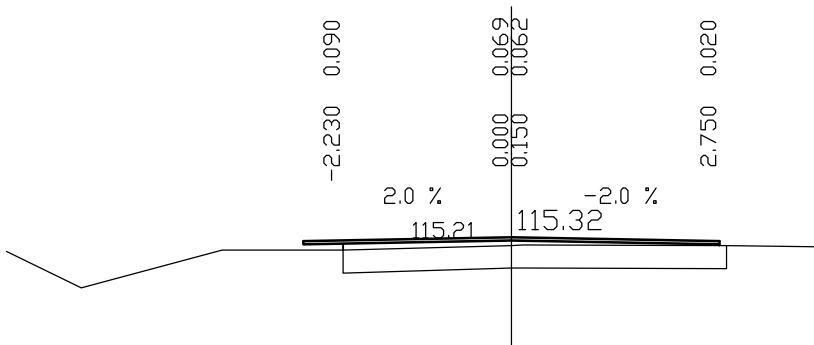
10094.00 PL=0.20 PP=0.51 W=0.1247 F=0.0000



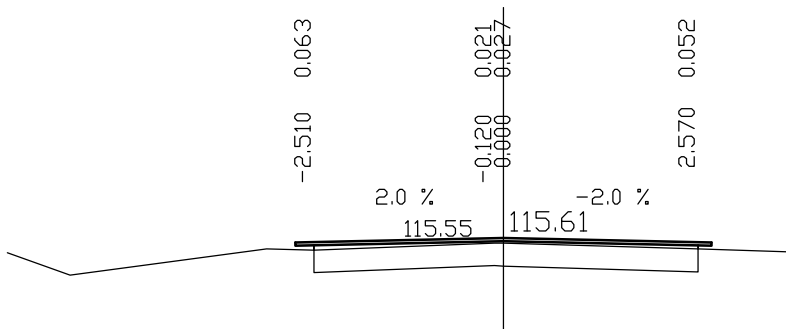
10145.20 PL=0.17 PP=0.01 W=0.2379 F=0.0000



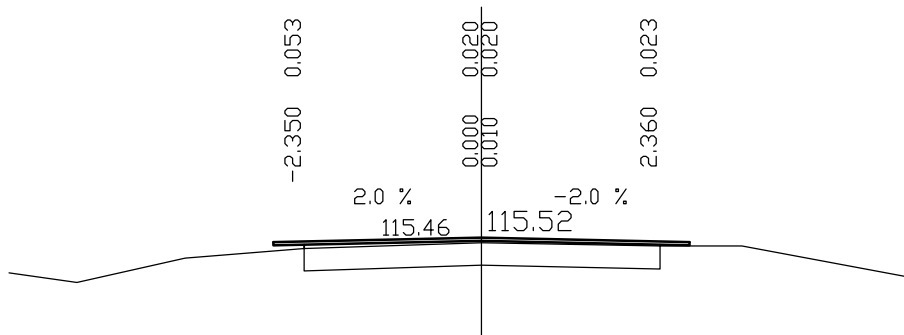
10199.00 PL=0.52 PP=0.00 W=0.2960 F=0.0000



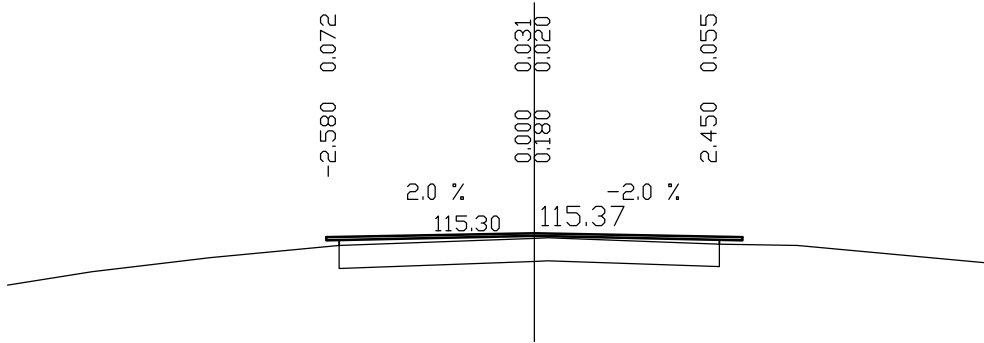
10248.30 PL=0.24 PP=0.18 W=0.2048 F=0.0000



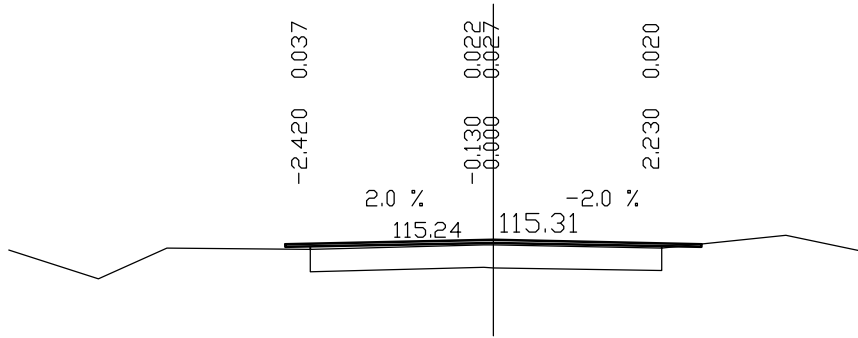
10302.90 PL=0.40 PP=0.39 W=0.1365 F=0.0000



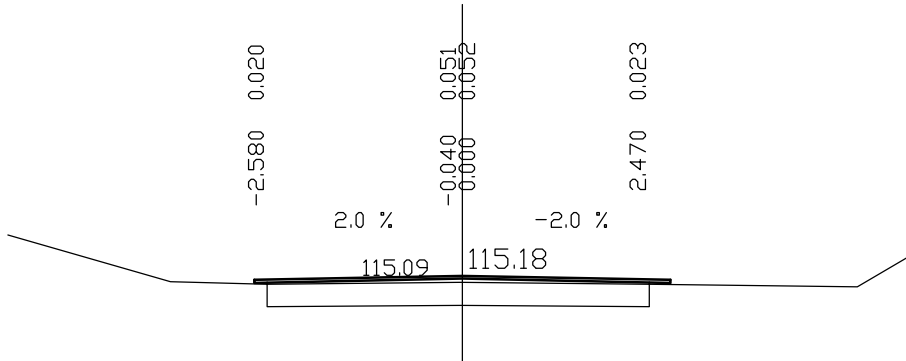
10350.90 PL=0.17 PP=0.30 W=0.2252 F=0.0000



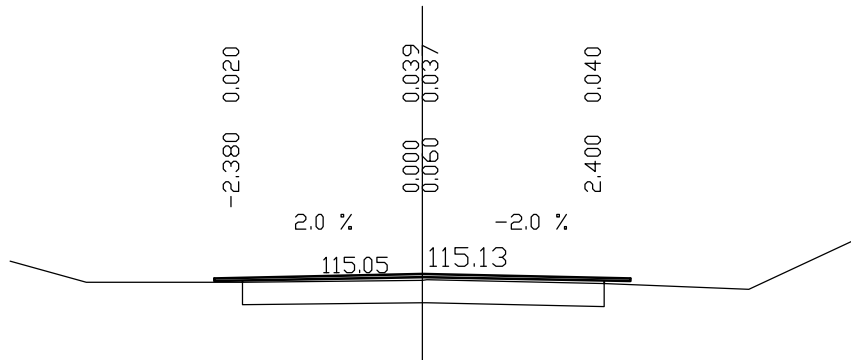
10400.10 PL=0.33 PP=0.52 W=0.1255 F=0.0000



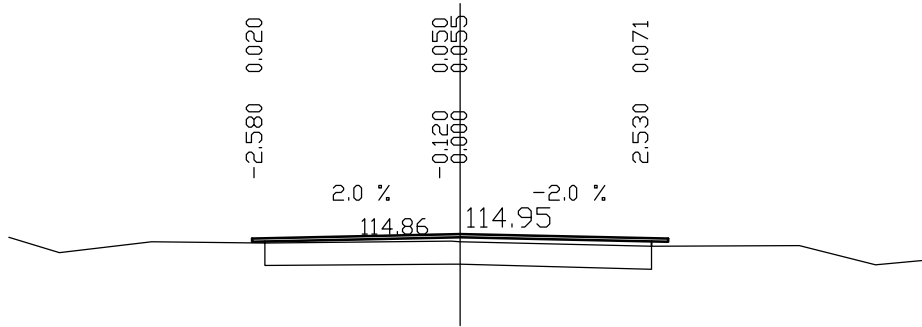
10449.80 PL=0.17 PP=0.28 W=0.1861 F=0.0000



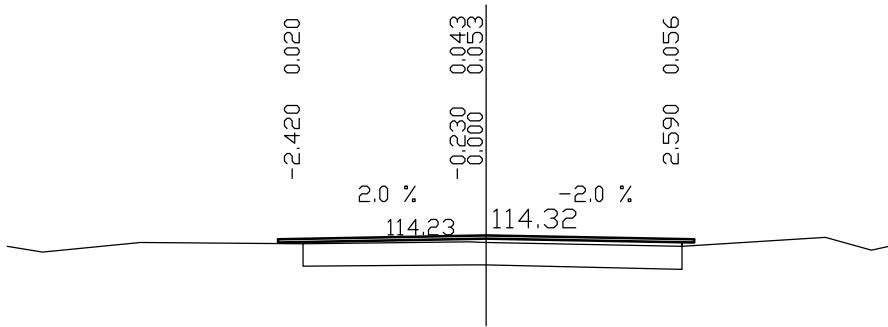
10502.80 PL=0.37 PP=0.35 W=0.1638 F=0.0000



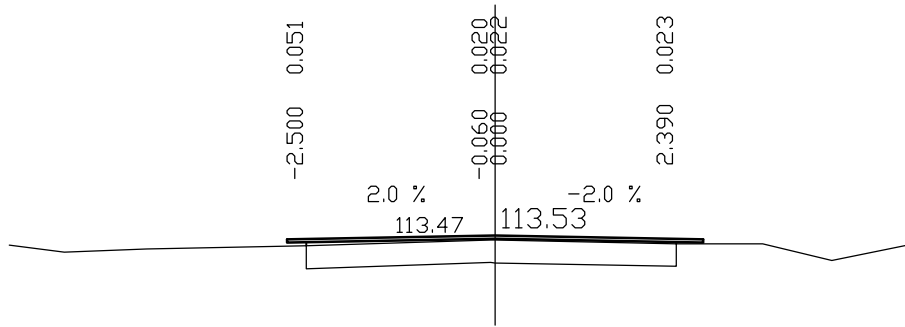
10549.80 PL=0.17 PP=0.22 W=0.2543 F=0.0000



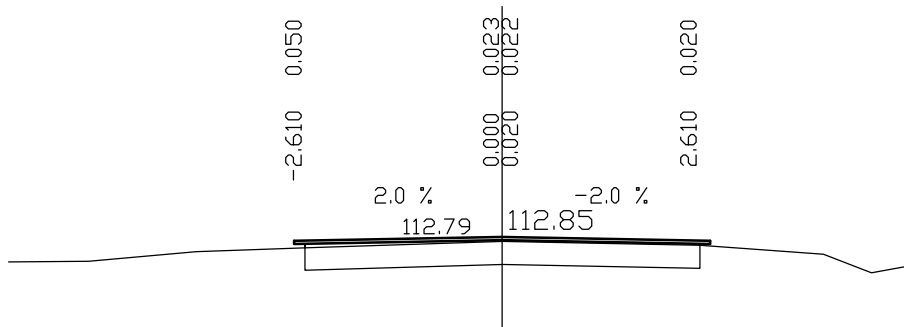
10602.40 PL=0.33 PP=0.16 W=0.2213 F=0.0000



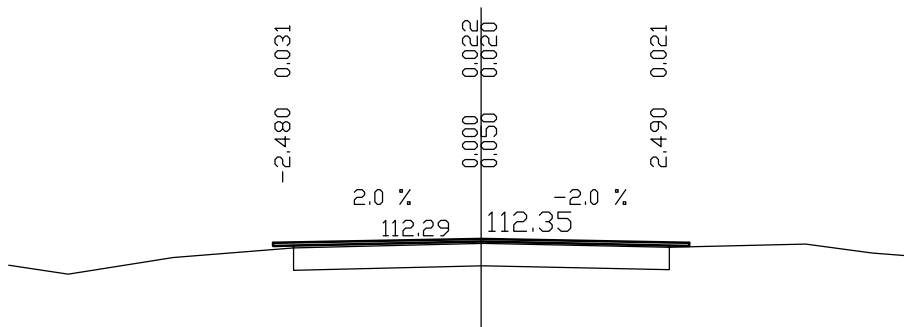
10654.50 PL=0.25 PP=0.36 W=0.1417 F=0.0000



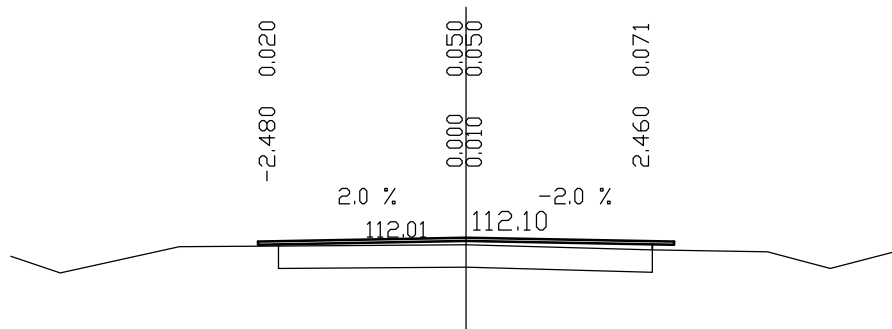
10707.00 PL=0.14 PP=0.14 W=0.1502 F=0.0000



10757.40 PL=0.27 PP=0.26 W=0.1168 F=0.0000



10810.50 PL=0.27 PP=0.29 W=0.2368 F=0.0000



10838.66 PL=0.25 PP=0.25 W=0.2000 F=0.0000

